

ITEM 088785 CES-A-LCA-10V

Description	Technical data	Accessories	Downloads
-------------	----------------	-------------	-----------



Features

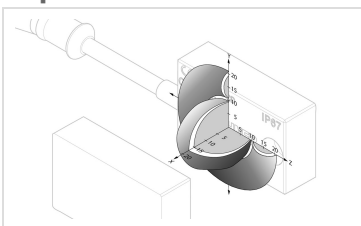
- › Cube-shaped design 42 x 25 mm
- › Hard-wired encapsulated cable made of PVC
- › Cable length 10 m
- › Two safety screws M4x14 included

Housing material

PE-HD plastic without reinforcement, fully encapsulated

Attention: The operating distance may vary depending on the background material and installation situation.

Important: Actuators must be ordered separately!



› Typical operating distance

For a side approach direction for the actuator and read head, a minimum distance of $s = 3 \text{ mm}$ must be maintained so that the operating distance of the side lobes is not entered.

Approvals



Mechanical values and environment

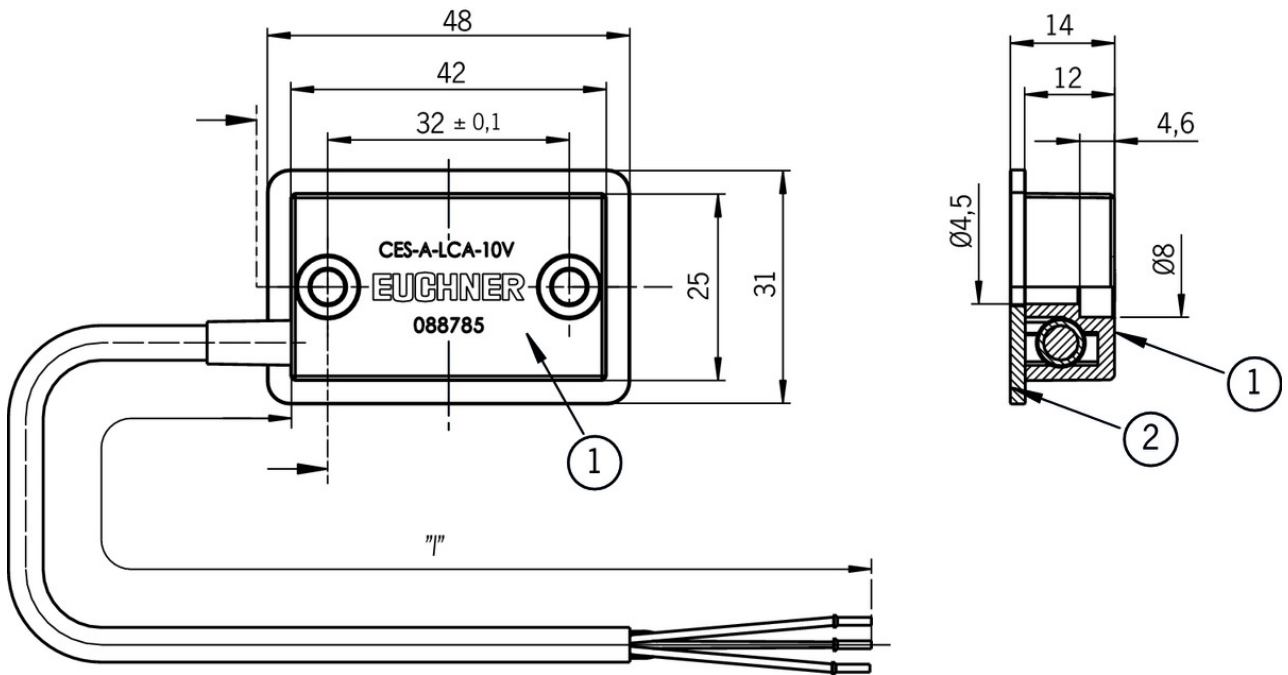
Housing material		
		Plastic PE-HD, without reinforcement
	Flat seal	Fluoro rubber 75 FPM 4100
Weight		
	Net	0,3 kg ^[1]
Ambient temperature		
	Cable static	-25 ... 50 °C
	Cable dynamic	-5 ... 50 °C
Degree of protection		IP67
Installation position		Any
Tightening torque		
	Fixing screws	max.0,5 Nm
Connection		Hard-wired encapsulated connection cable
Cable length		
	Maximum allowed	max.25 m
Method of operation		Inductive

Electrical connection ratings

Power supply		Via evaluation unit
Connecting cable		PVC, length 10m, Ø 4.6 mm, with crimped ferrules

^[1] (Incl 10m cable)

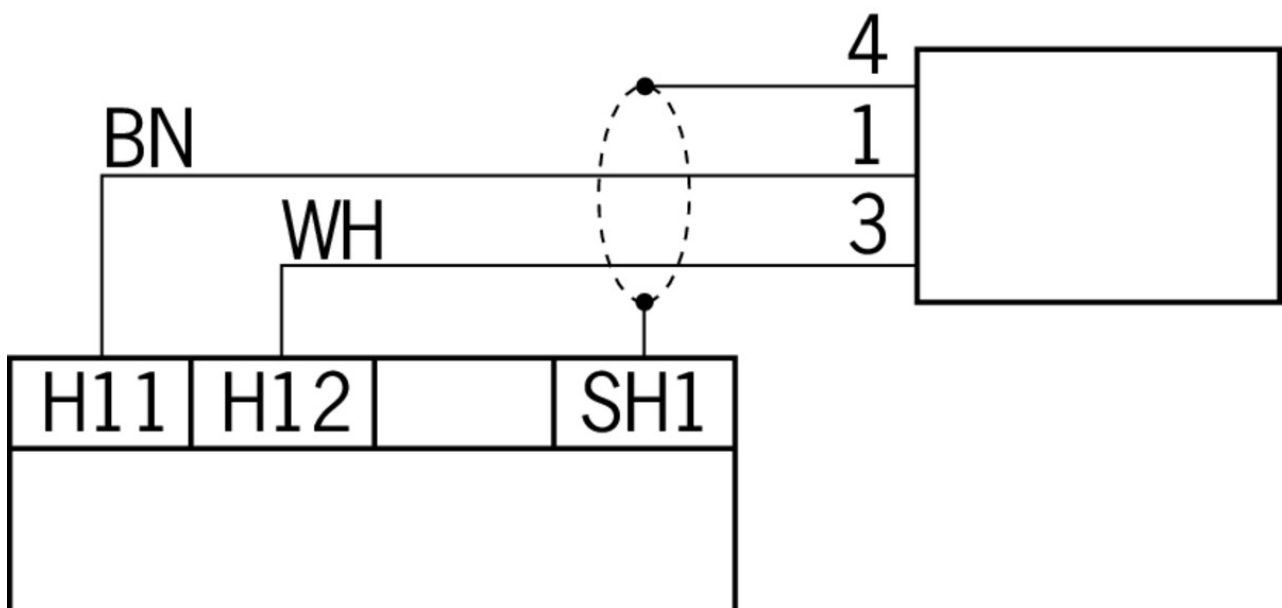
Dimension drawing



Legende

- 1 Active face
- 2 Flat seal

Terminal assignment



Actuator



071840 CES-A-BBA

✓ Features

- › Cube-shaped design 42 x 25 mm
 - › Two safety screws M4x14 included
-

✓ Actuator CES-A-BCA



088786 CES-A-BCA

✓ Features

- › Cube-shaped design 42 x 25 mm
 - › Two safety screws M4x14 included
-

✓ Actuator CES-A-BDA



084720 CES-A-BDA-20

✓ Features

- › Round design \varnothing 20 mm
-



156935 CES-A-BDA-18-156935

✓ Features

- › For safety switches CES-C01 and read heads CES-A-LNA
 - › Round design \varnothing 18 mm
 - › For use in applications in very confined spaces
 - › Mounting on metal is permissible
 - › Flush mounting is permissible only in plastic
-

Mounting accessories

✓ Safety screws M4 x 14

071863 M4X14-CES/V20

✓ Features

- › Safety screws M4 x 14
 - › Packaging unit 20 pieces
-

Bolt

✓ Bolt CES-A-A



076487 RIEGEL CES-A-A

✓ Features

- › Steel bolt
 - › In combination with read head CES-A-LNA...
 - › For left or right hinged doors
 - › Ball detent mechanism in closed position
 - › Can be locked in open position with padlocks
 - › Actuator included
-

▼ Bolt CES-A-A/F with escape release



086173 RIEGEL CES-A-A/F

▼ Features

- › Steel bolt
- › In combination with read head CES-A-LNA...
- › For doors hinged on the right or left
- › Lever for escape release from the danger area
- › Detent knob in open position
- › Ball detent mechanism in closed position
- › Can be locked in open position with padlocks
- › Actuator included

Instructions

▼ Návod k použití Bezkontaktní bezpečnostní systém CES-AZ-AES-... (Unicode)

	Doc. no.	Version	Language	Download
Betriebsanleitung Berührungsloses Sicherheitssystem CES-AZ-AES-... (Unicode)	2104766	10-09/17		1.8 MB
Mode d'emploi Système de sécurité sans contact CES-AZ-AES-... (Unicode)	2104766	10-09/17		1.8 MB
Manual de instrucciones Sistema de seguridad sin contacto CES-AZ-AES-... (Unicode)	2104766	10-09/17		1.8 MB
Návod k použití Bezkontaktní bezpečnostní systém CES-AZ-AES-... (Unicode)	2104766	10-09/17		1.9 MB
Operating instructions Non-contact safety system CES-AZ-AES-... (Unicode)	2104766	10-09/17		1.8 MB
Istruzioni di impiego Sistema di sicurezza senza contatto CES-AZ-AES-... (Unicode)	2104766	10-09/17		1.8 MB
使用说明书非接触式安全系统 CES-AZ-AES-... (特殊编码)	2104766	10-09/17		2.0 MB

▼ Návod k použití Bezkontaktní bezpečnostní systém CES-AZ-UES-... (Multicode)

	Doc. no.	Version	Language	Download
Betriebsanleitung Berührungsloses Sicherheitssystem CES-AZ-UES-... (Multicode)	2105274	09-09/17		1.8 MB
Mode d'emploi Système de sécurité sans contact CES-AZ-UES-... (Multicode)	2105274	09-09/17		1.8 MB
Manual de instrucciones Sistema de seguridad sin contacto CES-AZ-UES-... (Multicode)	2105274	09-09/17		1.8 MB
Návod k použití Bezkontaktní bezpečnostní systém CES-AZ-UES-... (Multicode)	2105274	09-09/17		1.9 MB
Operating instructions Non-contact safety system CES-AZ-UES-... (Multicode)	2105274	09-09/17		1.8 MB
Istruzioni di impiego Sistema di sicurezza senza contatto CES-AZ-UES-... (Multicode)	2105274	09-09/17		1.8 MB

使用说明书非接触式安全系统 CES-AZ-UES-... (通用
编码)

2105274

09-09/17



2.0 MB

Catalogs

- ▼ Transpondercodierte Sicherheitssysteme mit externer Auswertung Transponder-coded safety systems with external evaluation Sistemas de seguridad con codificación por transponder y evaluación externa Systèmes de sécurité à codage par transpondeur avec analyse externe

	Doc. no.	Version	Language	Download
Transpondercodierte Sicherheitssysteme mit externer Auswertung	127596	02-01/18		3.1 MB
Systèmes de sécurité à codage par transpondeur avec analyse externe	137968	02-01/18		3.0 MB
Sistemas de seguridad con codificación por transponder y evaluación externa	139969	02-01/18		3.0 MB
Transponder-coded safety systems with external evaluation	127597	02-01/18		3.0 MB

Declaration of conformity

- ▼ EU-Konformitätserklärung

	Doc. no.	Version	Language	Download
EU-Konformitätserklärung EU declaration of conformity Declaración UE de conformidad Déclaration UE de conformité Dichiarazione di conformità	2077154	34-01/17	 	0.5 MB

CAD data

CAD data for this item on TraceParts