

ITEM 115107 CES-A-LNN-25V-115107

Description	Technical data	Accessories	Downloads
-------------	----------------	-------------	-----------

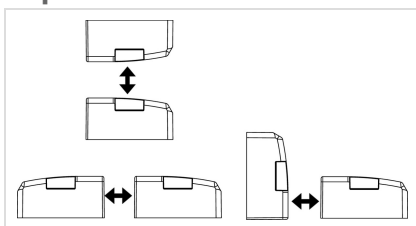


**Features**

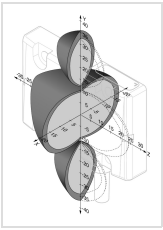
- › Cube-shaped design 42 x 25 mm
- › Attachment compatible with series CES-A-LNA/LCA
- › LED for the indication of the door position
- › Hard-wired encapsulated cable, PVC
- › Cable length 25 m

**Attention:** The operating distance may vary depending on the background material and installation situation.

**Important:** Actuators must be ordered separately!



› Approach directions



► Typical operating distance

For a side approach direction for the actuator and read head, a minimum distance of  $s = 6 \text{ mm}$  must be maintained so that the operating distance of the side lobes is not entered.

## Approvals



## Mechanical values and environment

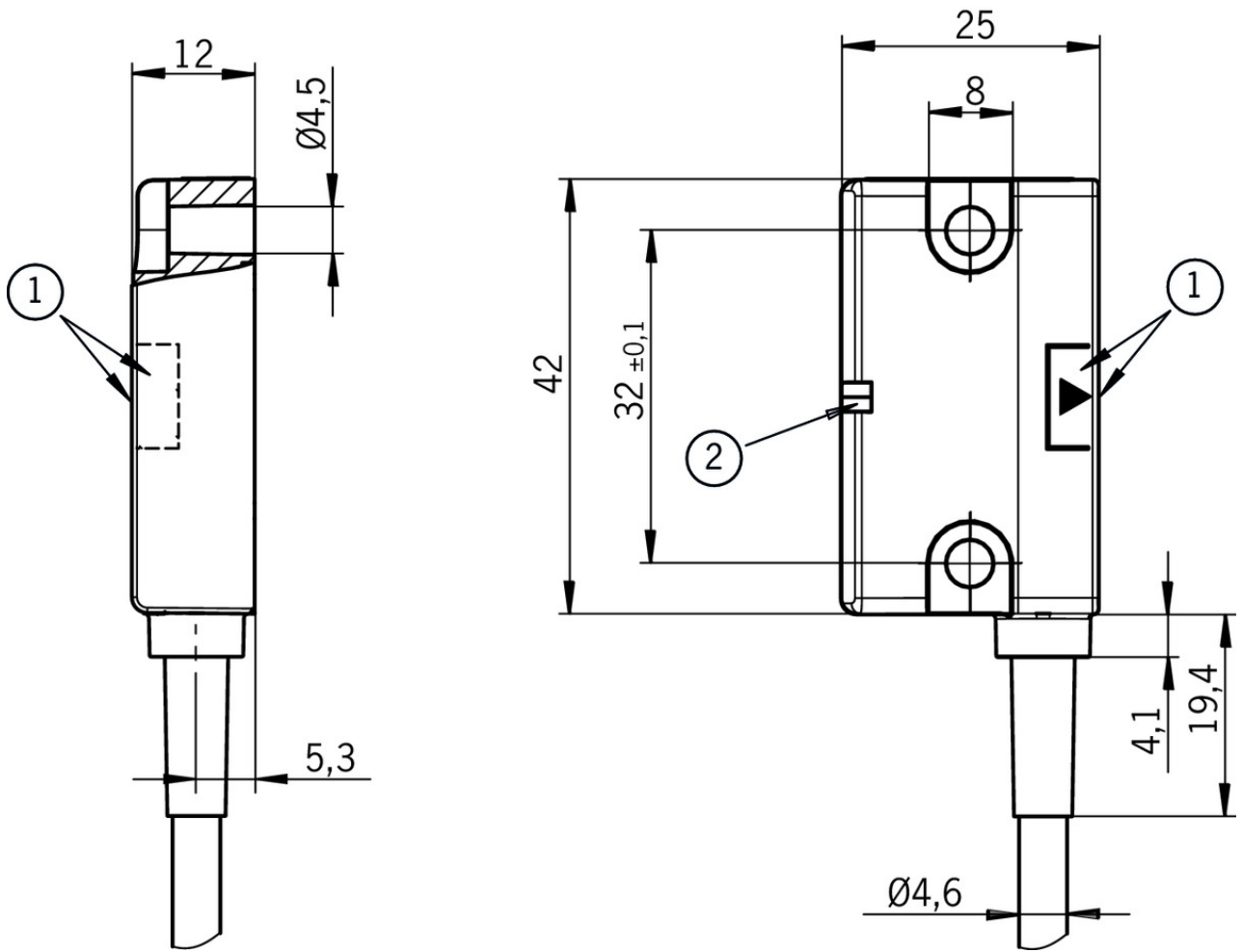
Housing material	Reinforced thermoplastic (PBT), fully encapsulated
Weight	Net 0,025 kg <sup>[1]</sup>
Ambient temperature	-25 ... 70 °C
Degree of protection	IP67
Installation position	Any
Tightening torque	Fixing screws max.1 Nm
Connection	Hard-wired encapsulated connection cable
Cable length	Maximum allowed max.25 m
Method of operation	Inductive

## Electrical connection ratings

Power supply	Via evaluation unit
Connecting cable	PVC, length 25m, Ø 4.6 mm, with crimped ferrules
LED indicator	White: valid actuator detected

[1] (Without connection cable)

### Dimension drawing

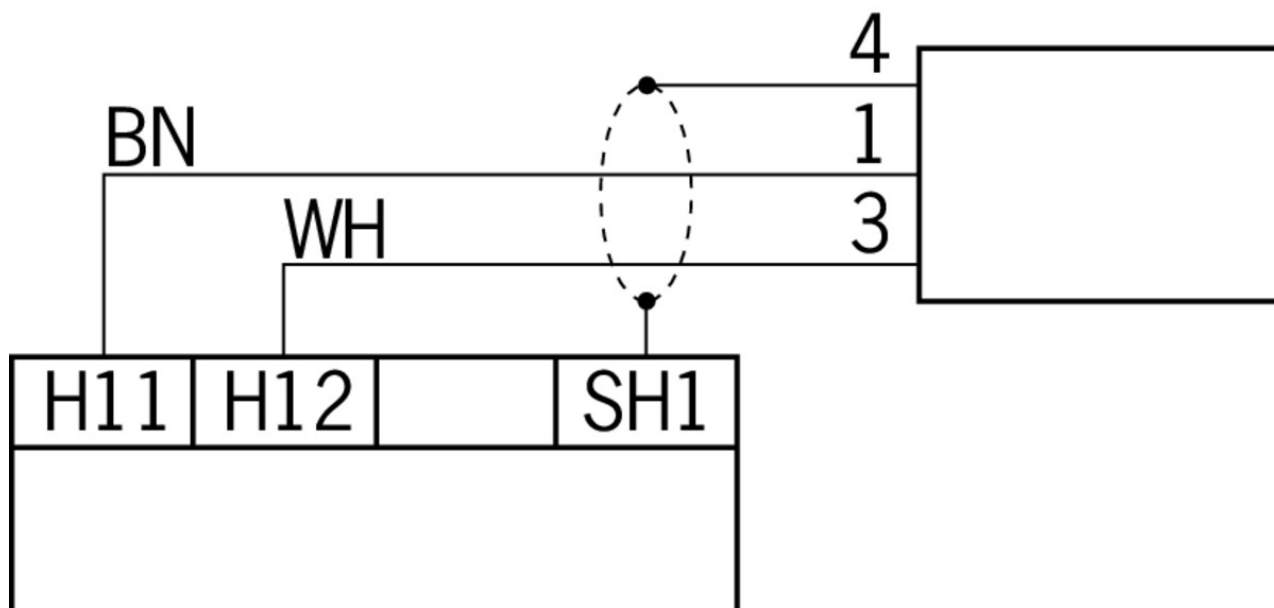


### Legende

1 Active face

2 LED

## Terminal assignment



## Actuator

### Actuator CES-A-BBN



**106600** CES-A-BBN-106600

#### Features

- › Cube-shaped design 42 x 25 mm
- › Attachment compatible with actuator CES-A-BBA/BCA

### Actuator CES-A-BDN-06



**104730** CES-A-BDN-06-104730

#### Features

- › Cylindrical design Ø 6 mm

## Mounting accessories

### Safety screws M4 x 14

**071863** M4X14-CES/V20

#### Features

- › Safety screws M4 x 14
- › Packaging unit 20 pieces

## Instructions

▼ Návod k použití Bezkontaktní bezpečnostní systém CES-AZ-AES-... (Unicode)

	Doc. no.	Version	Language	Download
Betriebsanleitung Berührungsloses Sicherheitssystem CES-AZ-AES-... (Unicode)	2104766	10-09/17		1.8 MB
Mode d'emploi Système de sécurité sans contact CES-AZ-AES-... (Unicode)	2104766	10-09/17		1.8 MB
Manual de instrucciones Sistema de seguridad sin contacto CES-AZ-AES-... (Unicode)	2104766	10-09/17		1.8 MB
Návod k použití Bezkontaktní bezpečnostní systém CES-AZ-AES-... (Unicode)	2104766	10-09/17		1.9 MB
Operating instructions Non-contact safety system CES-AZ-AES-... (Unicode)	2104766	10-09/17		1.8 MB
Istruzioni di impiego Sistema di sicurezza senza contatto CES-AZ-AES-... (Unicode)	2104766	10-09/17		1.8 MB
使用说明书非接触式安全系统 CES-AZ-AES-... (特殊编码)	2104766	10-09/17		2.0 MB

▼ Návod k použití Bezkontaktní bezpečnostní systém CES-AZ-UES-... (Multicode)

	Doc. no.	Version	Language	Download
Betriebsanleitung Berührungsloses Sicherheitssystem CES-AZ-UES-... (Multicode)	2105274	09-09/17		1.8 MB
Mode d'emploi Système de sécurité sans contact CES-AZ-UES-... (Multicode)	2105274	09-09/17		1.8 MB
Manual de instrucciones Sistema de seguridad sin contacto CES-AZ-UES-... (Multicode)	2105274	09-09/17		1.8 MB
Návod k použití Bezkontaktní bezpečnostní systém CES-AZ-UES-... (Multicode)	2105274	09-09/17		1.9 MB
Operating instructions Non-contact safety system CES-AZ-UES-... (Multicode)	2105274	09-09/17		1.8 MB
Istruzioni di impiego Sistema di sicurezza senza contatto CES-AZ-UES-... (Multicode)	2105274	09-09/17		1.8 MB
使用说明书非接触式安全系统 CES-AZ-UES-... (通用编码)	2105274	09-09/17		2.0 MB






## Catalogs

▼ Transpondercodierte Sicherheitssysteme mit externer Auswertung Transponder-coded safety systems with external evaluation Sistemas de seguridad con codificación por transponder y evaluación externa Systèmes de sécurité à codage par transpondeur avec analyse externe

	Doc. no.	Version	Language	Download
Transpondercodierte Sicherheitssysteme mit externer Auswertung	127596	02-01/18		3.1 MB
Systèmes de sécurité à codage par transpondeur avec analyse externe	137968	02-01/18		3.0 MB
Sistemas de seguridad con codificación por transponder y evaluación externa	139969	02-01/18		3.0 MB
Transponder-coded safety systems with external evaluation	127597	02-01/18		3.0 MB

## Declaration of conformity

 EU-Konformitätserklärung

	Doc. no.	Version	Language	Download
EU-Konformitätserklärung	2077154	34-01/17		 0.5 MB
EU declaration of conformity				
Declaración UE de conformidad				
Déclaration UE de conformité				
Dichiarazione di conformità			