

ITEM 104606 CEM-A-LE05H-S2-104606

Description	Technical data	Accessories	Downloads
-------------	----------------	-------------	-----------



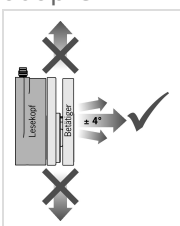
Features

- › Read head with guard locking without guard lock monitoring
- › Locking force 650 N
- › Adjustable adhesive force
- › Up to category 4 according to EN ISO 13849-1
- › Two safety screws M5x16 included

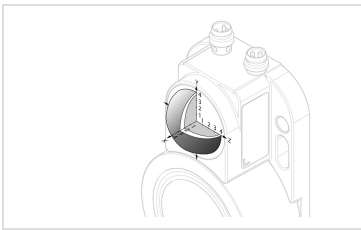
Adjustable adhesive force

This version has an adhesive force also with the guard locking switched off. In this way it is intended, for example, to prevent the safety door opening due to vibration or similar. The adhesive force can be adjusted using a programming adapter to 70 N, 110 N or 150 N.

Important: To change the preset adhesive force, you will need a programming adapter.



› Approach direction



► Typical operating distance

Note assured switch-off distance $s_{ar} = 20$ mm for internal component failure.

Safety outputs are reliably switched off.

Approvals



Mechanical values and environment

Material		
	Read head	Plastic (PPS)
	Solenoid	Steel, nickel-plated
Housing material		Die-cast aluminum
Weight		
	Net	0,3 kg
Ambient temperature		-25 ... 50 °C
Degree of protection		IP67
Mechanical life		
In case of use as door stop, and 1 Joule impact energy		1×10^6
Installation position		Any
Switching frequency		
	Read head	See operating instructions for the related evaluation unit [1]
	Solenoid	max.1 Hz
Connection		
X1, solenoid (yellow LED integrated in the plug)		Plug connector M8x1, 4-pin male (with snap-action / screw terminal)
X3, read head		Plug connector M8x1, 3-pin male (with snap-action / screw terminal)
Cable length		max.25 m
Guard locking principle		Open-circuit current principle
Locking force F		
(Not monitored, in axial direction) at $U_{CM} \geq 24V$		650 N
Adhesive force		
At $U_{CM} = 0V$ (default setting on delivery)		110 N
Programmable with adapter		70, 110, 150

Electrical connection ratings

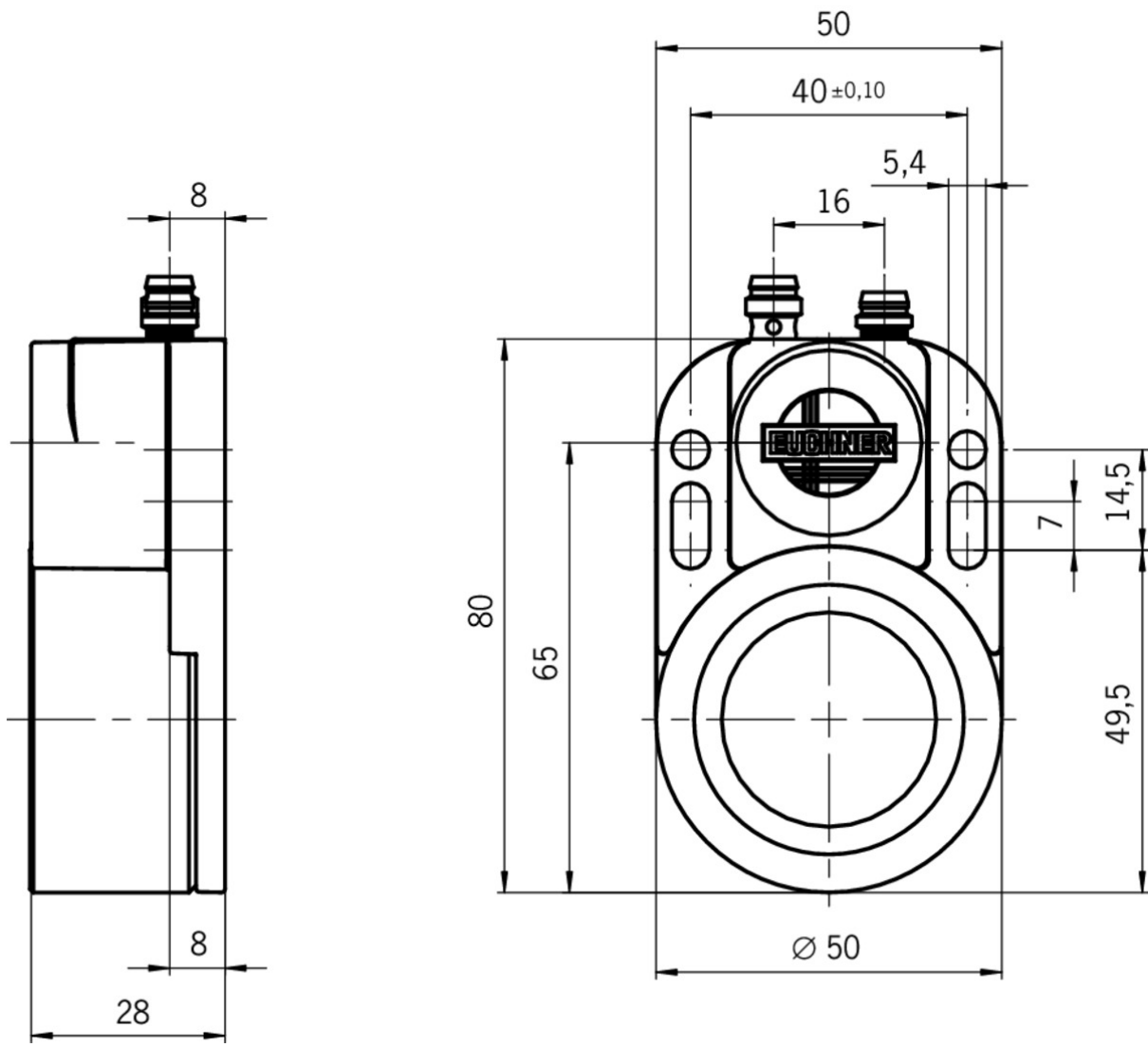
Operating voltage DC	U_B	24 V DC -15% ... 10%
	U_{CM}	24 V DC -15% ... 10%
Current consumption		
	On U_B at $U_{CM} \geq 0V$	25 mA
	On U_B at $U_{CM} \geq 24V$	100 mA
	On U_{CM} at 24V	10 mA
Power consumption		2,8 W
Solenoid duty cycle		100 %

Operating distance

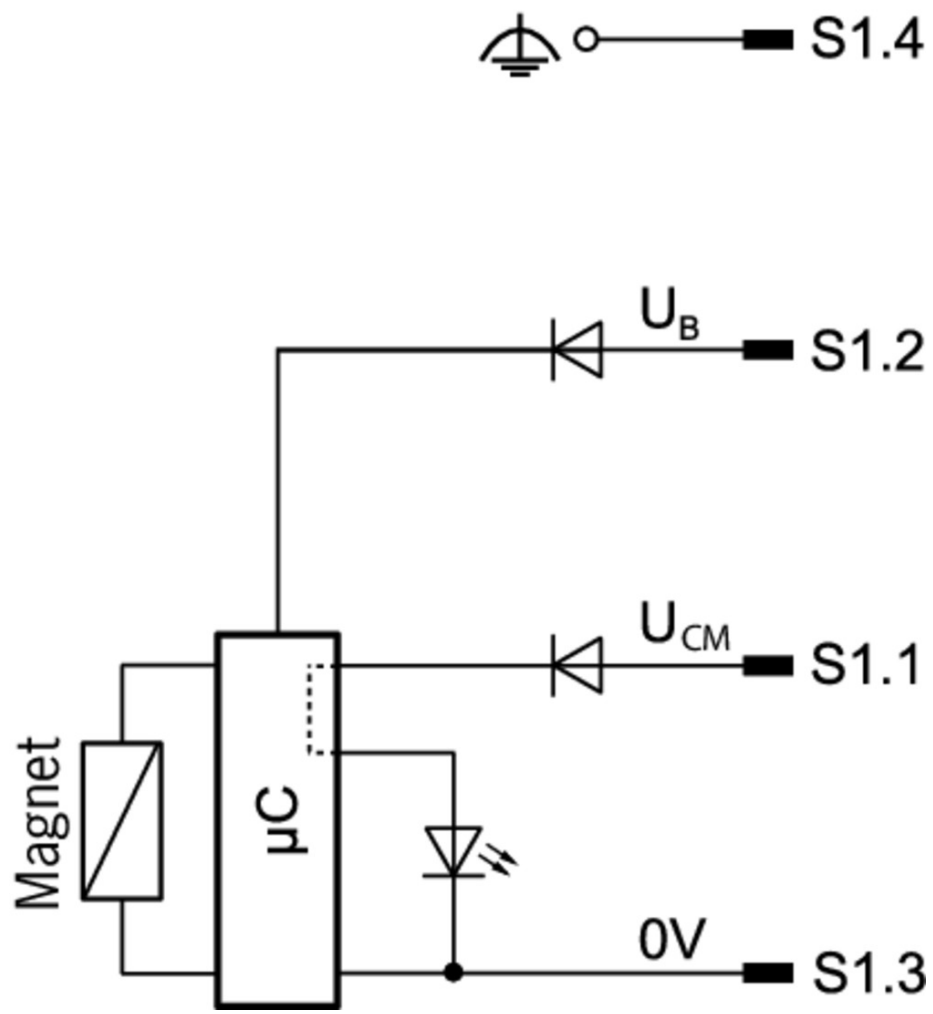
Switching hysteresis		
	With center offset $m=0$	0,7 mm [2]
Assured switch-off distance S_{ar}		max.20 mm [3]
Assured operating distance S_{a0}		
	With center offset $m=0$	min.2 mm [4]
Center offset		-2,5 ... +2,5 mm

[1, 2, 3, 4] In conjunction with evaluation unit CES-A-...B or CES-AZ-...B

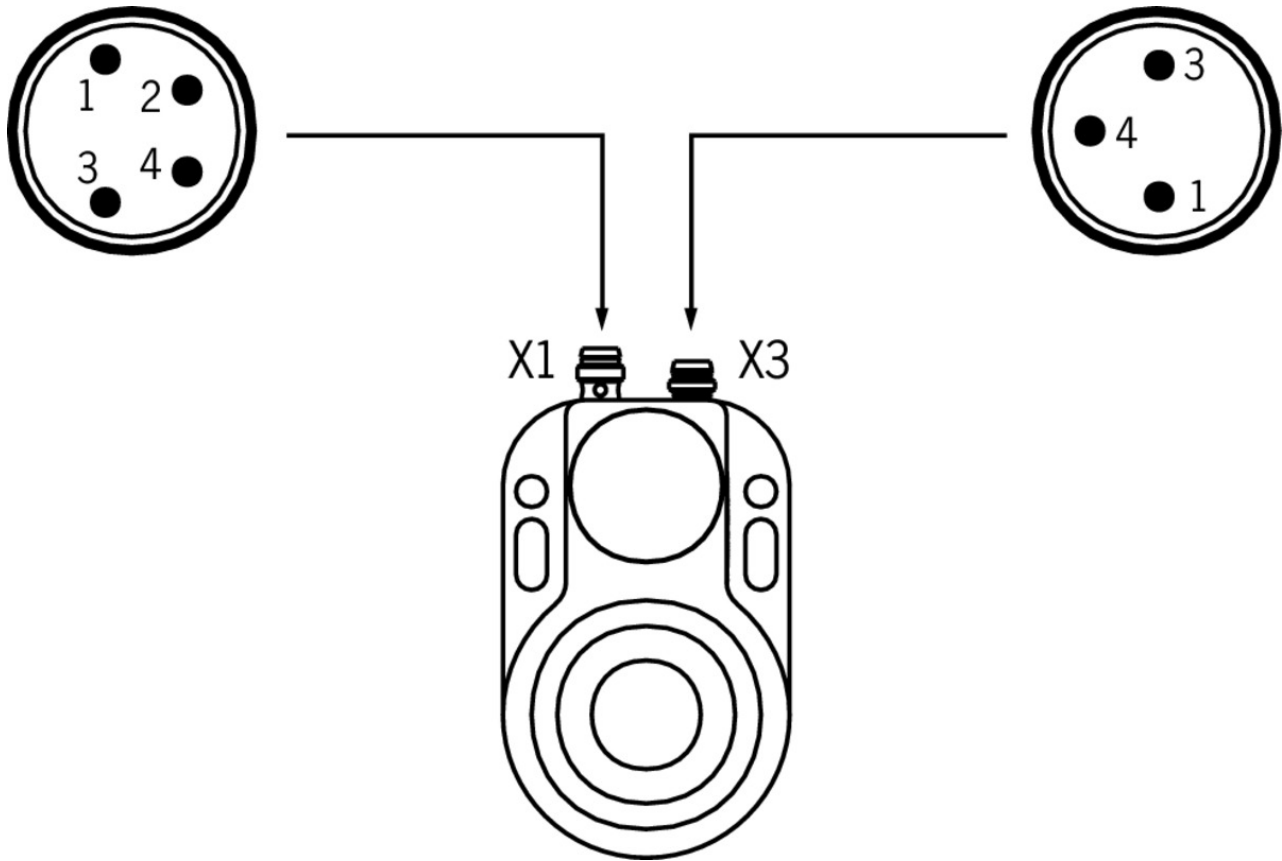
Dimension drawing



Wiring diagram



Circuit diagram connection solenoid operating voltage plug S1. A free-wheeling diode is already integrated into each CEM.



Legende

Solenoid operating voltage

X1.1 U_{CM}/DC 24 V

X1.2 NC

X1.3 0 V/GND

X1.4 Function earth

CES evaluation unit

X3.1 Data line

X3.3 Data line

X3.4 SH (screen)

Actuator

✓ Actuator CEM-A-BE05



094805 CEM-A-BE05

✓ Features

- › Locking force 500 N
- › Two safety screws M5x16 included

Connection material

- ✓ Connection cable with plug connector M8, 3-pin, 3m



077935 C-M08F03-02X025PV03,0-ES-077935

- ✓ Features

- › M8 female plug, 3-pin
 - › Straight plug connector
 - › PVC cable
 - › Cable length 3 m
 - › With flying lead
-

- ✓ Connection cable with plug connector M8, 5m



077793 C-M08F03-02X025PV05,0-ES-077793

- ✓ Features

- › M8 female plug, 3-pin
 - › Straight plug connector
 - › PVC cable
 - › Cable length 5 m
 - › With flying lead
-

- ✓ Connection cable with plug connector M8, 3-pin, 10m



077767 C-M08F03-02X025PV10,0-ES-077767

- ✓ Features

- › M8 female plug, 3-pin
 - › Straight plug connector
 - › PVC cable
 - › Cable length 10 m
 - › With flying lead
-



084763 C-M08F03-02X025PU10,0-ES-084763

- ✓ Features

- › M8 female plug, 3-pin
 - › Straight plug connector
 - › PUR cable
 - › Cable length 10 m
 - › With flying lead
-

- ✓ Connection cable with plug connector M8, 3-pin, 20m



077716 C-M08F03-02X025PV20,0-ES-077716

- ✓ Features

- › M8 female plug, 3-pin
 - › Straight plug connector
 - › PVC cable
 - › Cable length 20 m
 - › With flying lead
-

084765 C-M08F03-02X025PU20,0-ES-084765



- ✓ Features
 - › M8 female plug, 3-pin
 - › Straight plug connector
 - › PUR cable
 - › Cable length 20 m
 - › With flying lead
-

✓ Connection cable with plug connector M8, 3-pin, 25m



077717 C-M08F03-02X025PV25,0-ES-077717

- ✓ Features
 - › M8 female plug, 3-pin
 - › Straight plug connector
 - › PVC cable
 - › Cable length 25 m
 - › With flying lead
-



084766 C-M08F03-02X025PU25,0-ES-084766

- ✓ Features
 - › M8 female plug, 3-pin
 - › Straight plug connector
 - › PUR cable
 - › Cable length 25 m
 - › With flying lead
-

✓ Connection cable with plug connector M8, 3-pin, 15m



084764 C-M08F03-02X025PU15,0-ES-084764

- ✓ Features
 - › M8 female plug, 3-pin
 - › Straight plug connector
 - › PUR cable
 - › Cable length 15 m
 - › With flying lead
-

✓ Connection cable with angled plug connector M8, 3-pin, 10m



084701 C-M08F03-02X025PV10,0-ES-084701

- ✓ Features
 - › M8 female plug, 3-pin
 - › Angled plug connector
 - › PVC cable
 - › Cable length 10 m
 - › With flying lead
-



098590 C-M08F03-02X025PU10,0-ES-098590

- ✓ Features
 - › M8 female plug, 3-pin
 - › Angled plug connector
 - › PUR cable
 - › Cable length 10 m
 - › With flying lead

-
- ▼ Connection cable with angled plug connector M8, 3-pin, 25m, angled



099998 C-M08F03-02X025PV25,0-ES-099998

▼ Features

- › M8 female plug, 3-pin
 - › Angled plug connector
 - › PVC cable
 - › Cable length 25 m
 - › With flying lead
-

- ▼ Connection cable with plug connector M8, 3-pin, 5m



084762 C-M08F03-02X025PU05,0-ES-084762

▼ Features

- › M8 female plug, 3-pin
 - › Straight plug connector
 - › PUR cable
 - › Cable length 5 m
 - › With flying lead
-

- ▼ Connection cable with angled plug connector M8, 4-pin, 10m



084703 C-M08F04-04X025PV10,0-ES-084703

▼ Features

- › M8 female plug, 4-pin
 - › Angled plug connector
 - › PVC cable
 - › Cable length 10 m
 - › With flying lead
-

- ▼ Connection cable with plug connector M8, 4-pin, 15m



088815 C-M08F04-04X025PV15,0-ES-088815

▼ Features

- › M8 female plug, 4-pin
 - › Straight plug connector
 - › PVC cable
 - › Cable length 15 m
 - › With flying lead
-

- ▼ Connection cable with plug connector M8, 4-pin, 25m



095035 C-M08F04-04X025PV25,0-ES-095035

▼ Features

- › M8 female plug, 4-pin
 - › Straight plug connector
 - › PVC cable
 - › Cable length 25 m
 - › With flying lead
-

- ▼ Connection cable with plug connector M8, 4-pin, 10m



088814 C-M08F04-04X025PV10,0-ES-088814

▼ Features

- › M8 female plug, 4-pin
- › Straight plug connector
- › PVC cable
- › Cable length 10 m
- › With flying lead



116050 C-M08F04-04X034PU10,0-ES-116050

▼ Features

- › M8 female plug, 4-pin
- › Straight plug connector
- › PUR cable
- › Cable length 10 m
- › With flying lead

- ▼ Connection cable with plug connector M8, 4-pin, 5m



088813 C-M08F04-04X025PV05,0-ES-088813

▼ Features

- › M8 female plug, 4-pin
- › Straight plug connector
- › PVC cable
- › Cable length 5 m
- › With flying lead



116049 C-M08F04-04X034PU05,0-ES-116049

▼ Features

- › M8 female plug, 4-pin
- › Straight plug connector
- › PUR cable
- › Cable length 5 m
- › With flying lead

- ▼ Connection cable with plug connector M8, 4-pin, 20m



116051 C-M08F04-04X034PU20,0-ES-116051

▼ Features

- › M8 female plug, 4-pin
- › Straight plug connector
- › PUR cable
- › Cable length 20 m
- › With flying lead

Miscellaneous accessories

- ▼ Programming adapter



110013 CEM-A-ZPS-110013

Mounting accessories

▼ Safety screws for actuators, M5 x 16

073456 M5X16/V100

▼ Features

- › Safety screws M5 x 16
 - › Packaging unit 100 pieces
-

▼ Mounting plate EMP-B-... for actuator CEM-A-BE05...



100110 EMP-B-CEM05

▼ Features

- › For actuator CEM-A-BE05...
 - › Material stainless steel
-

▼ Mounting plate EMP-L-... for read head CEM-A-LE05...



099425 EMP-L-CEM05

▼ Features

- › For read head CEM-A-LE05...
 - › Material stainless steel
-

Bolt

▼ Bolt CEM-A and CEM-C



097955 RIEGEL CEM-A

▼ Features

- › In combination with read head CEM-A-LE05...
 - › Steel bolt
 - › For doors hinged on the right
 - › Can be locked in open position with padlocks
-



097957 RIEGEL CEM-C

▼ Features

- › In combination with read head CEM-A-LE05...
 - › Steel bolt
 - › For doors hinged on the left
 - › Can be locked in open position with padlocks
-

Function expansion

▼ Mounting magnet CEM with guard locking

109755 CEM-A-ME05K-S1



Features

- › Electromagnet for locking access doors
- › Locking force 650 N
- › With remanence
- › No guard lock monitoring, no monitoring of the door position
- › Connection using an M8 plug connector

Instructions

Betriebsanleitung Lesekopf CEM-A-LE05H-S2

	Doc. no.	Version	Language	Download
Betriebsanleitung Lesekopf CEM-A-LE05H-S2	110030	04-01/17		1.1 MB
Manual de instrucciones Cabeza de lectura CEM-A-LE05H-S2				
Mode d'emploi Tête de lecture CEM-A-LE05H-S2				
Istruzioni di impiego Testina di lettura CEM-A-LE05H-S2				
Operating Instructions Read Head CEM-A-LE05H-S2				

Catalogs

Transpondercodierte Sicherheitssysteme mit externer Auswertung Transponder-coded safety systems with external evaluation Sistemas de seguridad con codificación por transponder y evaluación externa Systèmes de sécurité à codage par transpondeur avec analyse externe

	Doc. no.	Version	Language	Download
Transpondercodierte Sicherheitssysteme mit externer Auswertung	127596	02-01/18		3.1 MB
Systèmes de sécurité à codage par transpondeur avec analyse externe	137968	02-01/18		3.0 MB
Sistemas de seguridad con codificación por transponder y evaluación externa	139969	02-01/18		3.0 MB
Transponder-coded safety systems with external evaluation	127597	02-01/18		3.0 MB

Declaration of conformity

EU-Konformitätserklärung

	Doc. no.	Version	Language	Download
EU-Konformitätserklärung	2077154	34-01/17		0.5 MB
Declaración UE de conformidad				
Déclaration UE de conformité				
Dichiarazione di conformità				
EU declaration of conformity				