

ITEM 095894 ESH-PRO-20A-1205

Description	Technical data	Accessories	Downloads
-------------	----------------	-------------	-----------



Features

- › Safety hinge with integrated safety function
- › Ideal use with hinged doors
- › Suitable for profile mounting
- › Connection via plug connector M12

The safety hinges ESH are safety devices for monitoring movable safety guards, such as doors or covers on machinery or systems.

Important:

During mounting the axes of the hinges used must be exactly aligned.

Switching element

20 Snap-action switching contact 2NC➔

Approvals



Mechanical values and environment

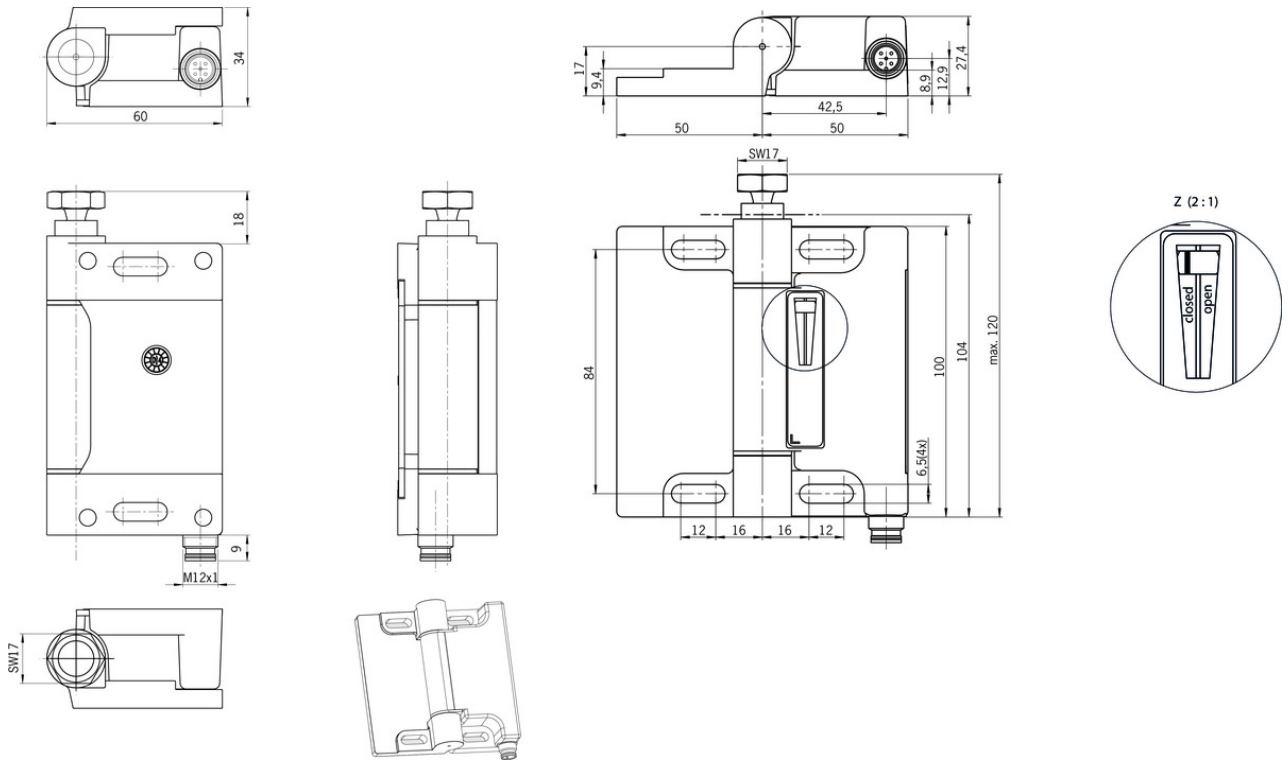
Housing material	Die-cast zinc, nickel-plated
Weight	
Net	0,8 kg
Ambient temperature	-25 ... 70 °C
Degree of protection	IP67
Mechanical life	1 x 10 ⁶
Max. load as per mechanical life test according to EN 1935	Grade 12 ^[1]
Contact material	Silver
Switching principle	Snap-action switching contact
Installation position	Any
Number of door position positively driven contacts	2
Actuation frequency	
operating cycles	max.1200 1/h
Operating point	4° from fixing point
Positively driven	Approx. 10° from fixing point
Pivoting angle	-10 ... 180 °

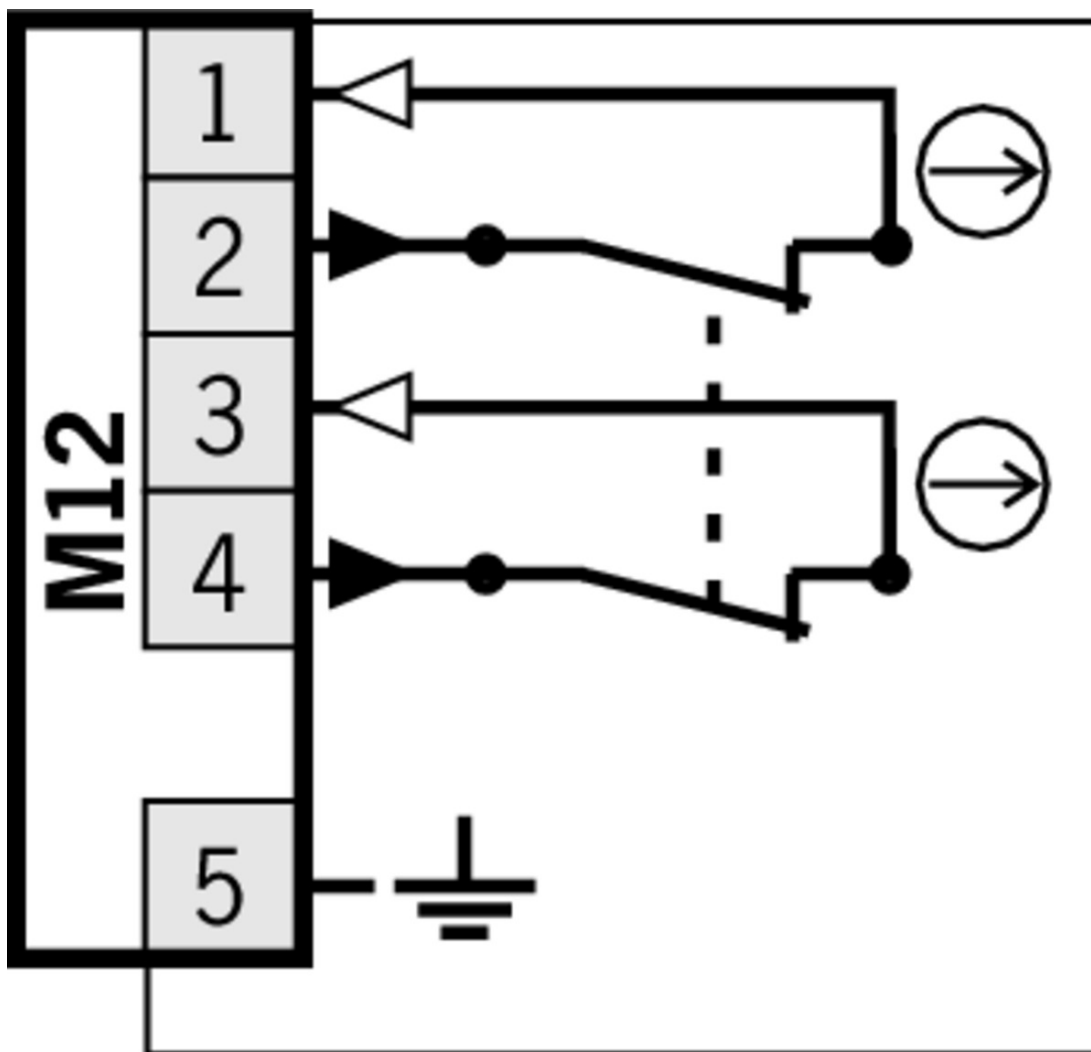
Electrical connection ratings

Rated thermal current I _{th}	3 A
Utilization category according to EN 60947-5-1	
AC-15	1.5A 30V
DC-13	2.0A 24V
Short circuit protection according to IEC 60269-1	2A gG
Rated insulation voltage U _i	60 V
Rated impulse withstand voltage U _{imp}	2,5 kV
Switching current	
at 24V	min.1 mA
Degree of contamination (external, according to EN 60947-1)	
Industry	3

[1] 100kg door weight

Dimension drawing





Function expansion

- ✓ ESH matching hinge (without safety function)



096007 ESH-PRO

Connection material

- ✓ Connection cable with straight plug connector M12, 5-pin, 5m



073461 C-M12F05-05X050PU05,0-GA-073461

✓ Features

- › M12 female plug, 4-pin + PE
- › Straight plug connector
- › PUR cable
- › Halogen-free
- › Cable length 5 m
- › With flying lead

› Cores color-coded

☑ Connection cable with angled plug connector M12, 5-pin, 5m



073462 C-M12F05-05X050PU05,0-GA-073462

☑ Features

- › M12 female plug, 4-pin + PE
- › Angled plug connector
- › PUR cable
- › Halogen-free
- › Cable length 5 m
- › With flying lead
- › Cores color-coded

Instructions

☑ Betriebsanleitung Schaltscharnier ESH

	Doc. no.	Version	Language	Download
Betriebsanleitung Schaltscharnier ESH	096772	08-03/16		1.8 MB
Manual de instrucciones Bisagra ESH				
Mode d'emploi Charnière ESH				
Istruzioni di impiego Finecorsa a cerniera ESH				
Operating Instructions Safety Hinge ESH				

Catalogs







☑ Sicherheitsschalter mit Metallgehäuse Safety Switches with Metal Housing Bezpečnostní spínače s kovovým pouzdrém Interrupteurs de sécurité avec boîtier métallique 金属壳体的安全开关 Interruptores de seguridad con carcasa metálica

	Doc. no.	Version	Language	Download
Sicherheitsschalter mit Metallgehäuse	100319	11-03/18		7.9 MB
Interrupteurs de sécurité avec boîtier métallique	100676	11-03/18		7.9 MB
Interruptores de seguridad con carcasa metálica	104856	11-03/18		14.0 MB
Safety Switches with Metal Housing	100369	11-03/18		7.9 MB
Bezpečnostní spínače s kovovým pouzdrém	121650	11-03/18		7.9 MB
金属壳体的安全开关	102453	11-03/18		8.2 MB

Declaration of conformity

☑ EU-Konformitätserklärung

Doc. no.	Version	Language	Download
----------	---------	----------	----------

EU-Konformitätserklärung	2097676	08-04/17		 0.2 MB
Declaración UE de conformidad				
Déclaration UE de conformité				
Dichiarazione di conformità				
EU declaration of conformity				

CAD data

CAD data for this item on TraceParts