

ITEM 094470 NM02VZA-MC2069

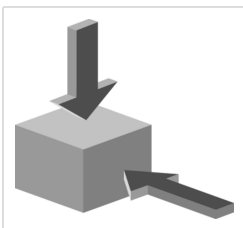
Description	Technical data	Accessories	Downloads
-------------	----------------	-------------	-----------



**Features**

- › Cable entry M16 x 1.5

**Approach direction**



- › Figure  
Horizontal and vertical  
Can be adjusted in 90° steps

**Switching element**

**ES02** Slow-action switching contact 2 NC⊖

## Approvals



### Mechanical values and environment

Ambient temperature	-20 ... 80 °C
Mechanical life	$1 \times 10^6$
Number of door position positively driven contacts	2
Actuation frequency	7000 1/h
Retention force	2 N
Extraction force	10 N
Actuating force	10 N
Insertion depth	20 mm

### Electrical connection ratings

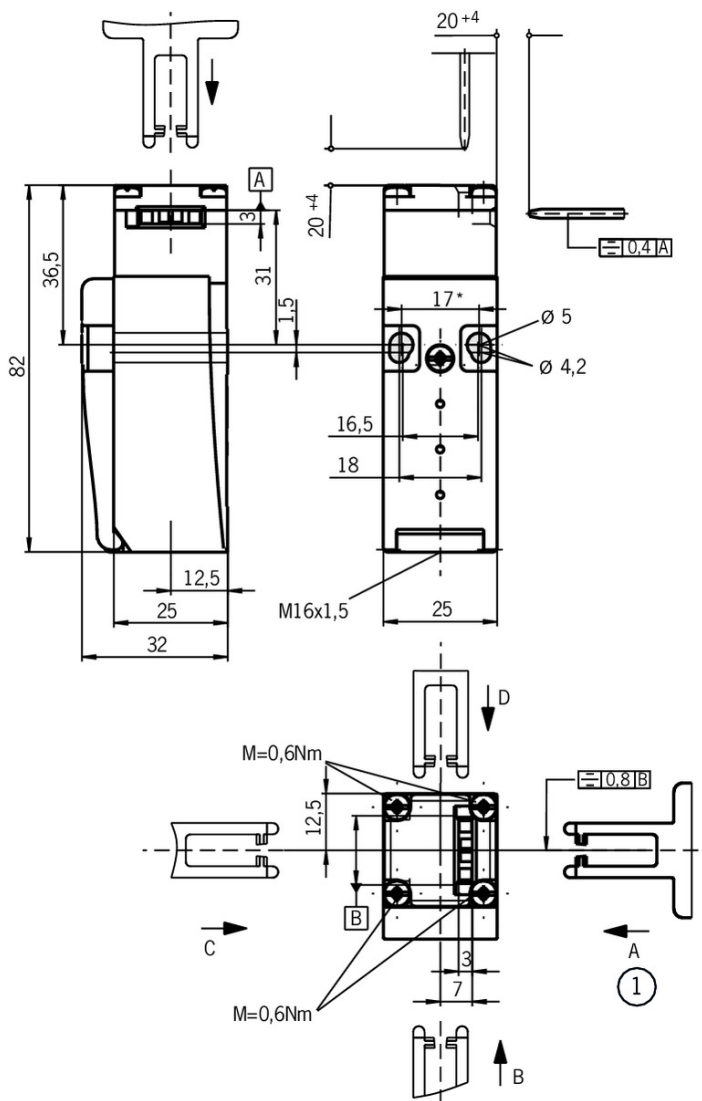
Rated thermal current $I_{th}$	4 A
Utilization category according to EN 60947-5-1	AC-15 DC-13
Rated insulation voltage $U_i$	250 V
Rated impulse withstand voltage $U_{imp}$	2,5 kV
Connection cross-section	0,34 ... 1,5 mm <sup>2</sup>

### in combination with Actuator BETAETIGER-M-G

#### Mechanical values and environment

Overtravel	4 mm
------------	------

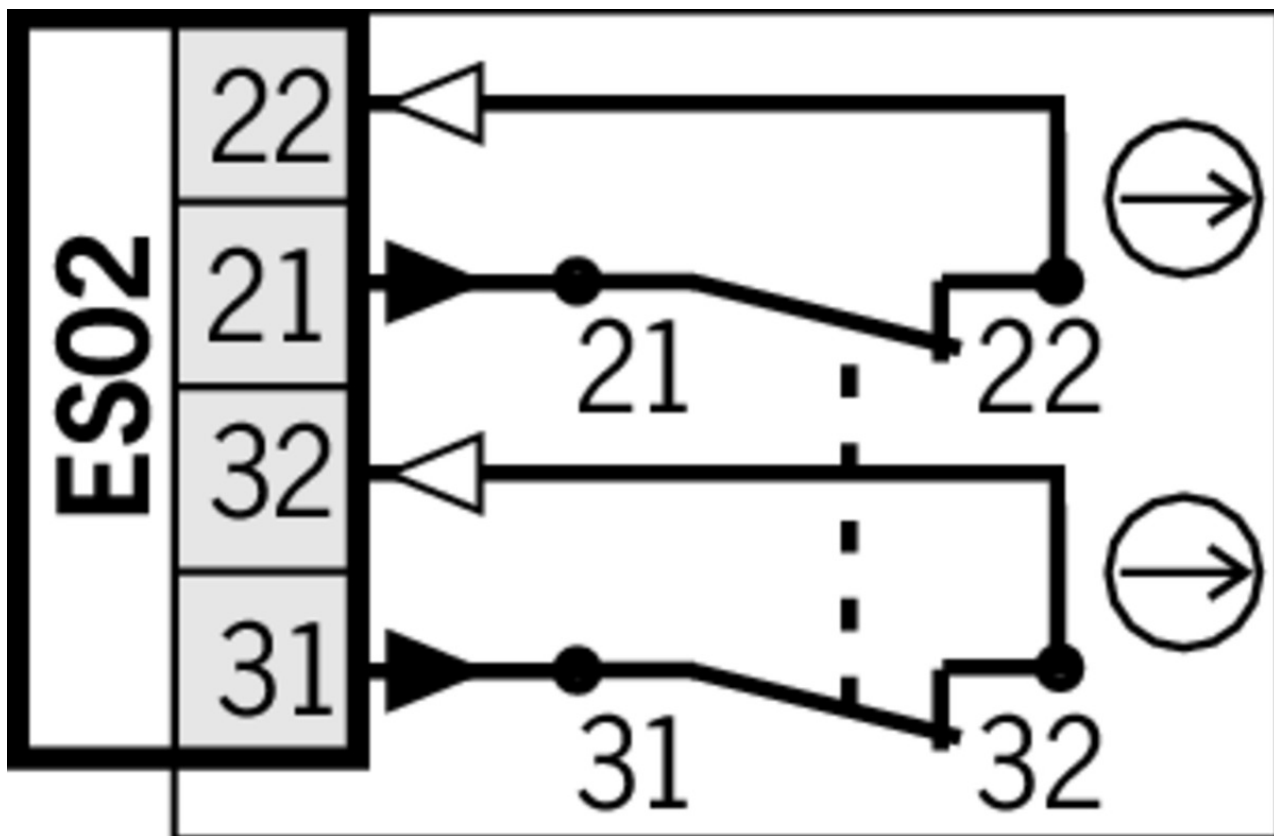
### Dimension drawing



### Legende

1 Standard

\* fixed positioning for safety-related applications (M5)



Actuator

Actuators for safety switches NM.VZ



**074077** BETAETIGER-M-W

Features

- › Actuators made of stainless steel
- › Two stainless safety screws per actuator



**074076** BETAETIGER-M-G

Features

- › Actuators made of stainless steel
- › Two stainless safety screws per actuator



**074130** BETAETIGER-M-GTS

Features

- › Actuators made of stainless steel
- › Two stainless safety screws per actuator
- › Actuators with rubber bushings
- › Compact design



**074129** BETAETIGER-M-WS

Features

- › Actuators made of stainless steel
- › Two stainless safety screws per actuator

- › Compact design



#### **074128** BETAETIGER-M-GS

##### ✓ Features

- › Actuators made of stainless steel
- › Two stainless safety screws per actuator
- › Compact design



#### **074078** BETAETIGER-M-GT

##### ✓ Features

- › Actuators made of stainless steel
- › Two stainless safety screws per actuator
- › Actuators with rubber bushings



#### **074079** BETAETIGER-M-GQ

##### ✓ Features

- › Actuators made of stainless steel
- › Two stainless safety screws per actuator
- › Actuators with rubber bushings



#### **074080** BETAETIGER-M-WT

##### ✓ Features

- › Actuators made of stainless steel
- › Two stainless safety screws per actuator
- › Actuators with rubber bushings

## Function expansion

- ✓ Insertion funnel for safety switches NM..VZ

#### **083565** EINFUEHRTRICHTER-M

## Mounting accessories

- ✓ Mounting plates EMP-SC for safety switches NM, NP...AS and NZ



#### **085753** EMP-SC

##### ✓ Features

- › For vertical and horizontal mounting of safety switches NM, NP...AS and NZ

- ✓ Safety screws M5 x 25

#### **073457** M5X25/V100

##### ✓ Features

- › Safety screws M5 x 25
- › Packaging unit 100 pieces

▼ Safety screws for actuators, M5 x 10

**073455** M5X10-NIRO/V100 NZ/TZ

▼ Features

- › Safety screws M5 x 10
- › Packaging unit 100 pieces

▼ Safety screws M4 x 14

**074063** M4X14/V100

▼ Features

- › Safety screws M4 x 14
- › Packaging unit 100 pieces

▼ Switch bracket for bolt NM



**077245** SCHALTERAUFNAHME NM

▼ Features

- › Switch bracket made of steel
- › For doors hinged on the left or right

## Connection material

▼ Cable glands M16x1.5



**084572** EKPM16/05

## Instructions

▼ Manual de instrucciones Interruptores de seguridad NM..VZ

	Doc. no.	Version	Language	Download
Betriebsanleitung Sicherheitsschalter NM..VZ Operating Instructions Safety Switch NM..VZ	2084458	08-02/18		1.0 MB
Mode d'emploi Interrupteur de sécurité NM..VZ	2084458	08-02/18		0.5 MB
Manual de instrucciones Interruptores de seguridad NM..VZ	2084458	08-02/18		0.5 MB
Istruzioni di impiego Finecorsa di sicurezza NM..VZ	2084458	08-02/18		0.5 MB
Návod na prevádzku Bezpečnostný spínač NM..VZ	2084458	08-02/18		0.9 MB

## Catalogs

- Bezpečnostní spínače s plastovým pouzdrém Sicherheitsschalter mit Kunststoffgehäuse Safety Switches with Plastic Housing Interruptores de seguridad con carcasa plástica Interrupteurs de sécurité avec boîtier plastique 塑料壳体 的安全开关

	Doc. no.	Version	Language	Download
Sicherheitsschalter mit Kunststoffgehäuse	096955	11-03/18		6.6 MB
Interrupteurs de sécurité avec boîtier plastique	100677	11-03/18		6.6 MB
Interruptores de seguridad con carcasa plástica	104855	11-03/18		6.6 MB
Bezpečnostní spínače s plastovým pouzdrém	121649	11-03/18		6.6 MB
Safety Switches with Plastic Housing	096956	11-03/18		6.6 MB
塑料壳体 的安全开关	116243	11-03/18		6.2 MB

## Declaration of conformity

- EU prohlášení o shodě

	Doc. no.	Version	Language	Download
EU-Konformitätserklärung	2077153	25-02/17		0.3 MB
Declaración UE de conformidad				
Déclaration UE de conformité				
Dichiarazione di conformità				
EU declaration of conformity				
EU prohlášení o shodě	2077153	25-02/17		0.5 MB
EU-overensstemmelseserklæring				
Δήλωση συμμόρφωσης της ΕΕ				
EU-vaatimustenmukaisuusvakuutus				
EU-típusbizonyítvány				
EU-conformiteitsverklaring				
Deklaracja zgodności UE				
Declaração de Conformidade UE				
Declarația de conformitate UE				
EÚ vyhlásenie o zhode				

## CAD data

CAD data for this item on TraceParts