

ITEM 084523 NM11KBA-M

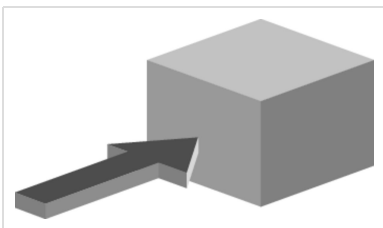
Description	Technical data	Accessories	Downloads
-------------	----------------	-------------	-----------



Features

- › Cable entry M16 x 1.5

Approach direction



- › Figure
Horizontal
Can be adjusted in 90° steps

Switching element

ES11 Slow-action switching contact 1 NC \ominus + 1 NO

Approvals



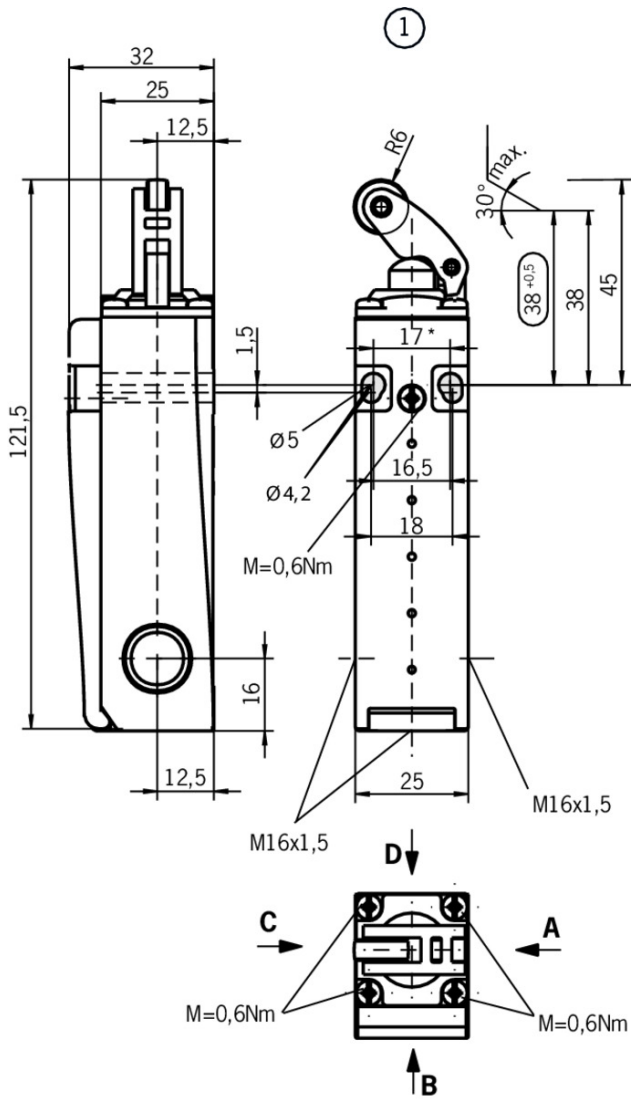
Mechanical values and environment

Ambient temperature	-20 ... 80 °C
Mechanical life	20 x 10 ⁶
Number of door position positively driven contacts	1
Number of door position NO contacts	1
Actuation frequency	5000 1/h
Actuating force	15 N

Electrical connection ratings

Utilization category according to EN 60947-5-1	AC-15 DC-13
Rated insulation voltage U _i	250 V
Rated impulse withstand voltage U _{imp}	2,5 kV
Connection cross-section	0,34 ... 1,5 mm ²

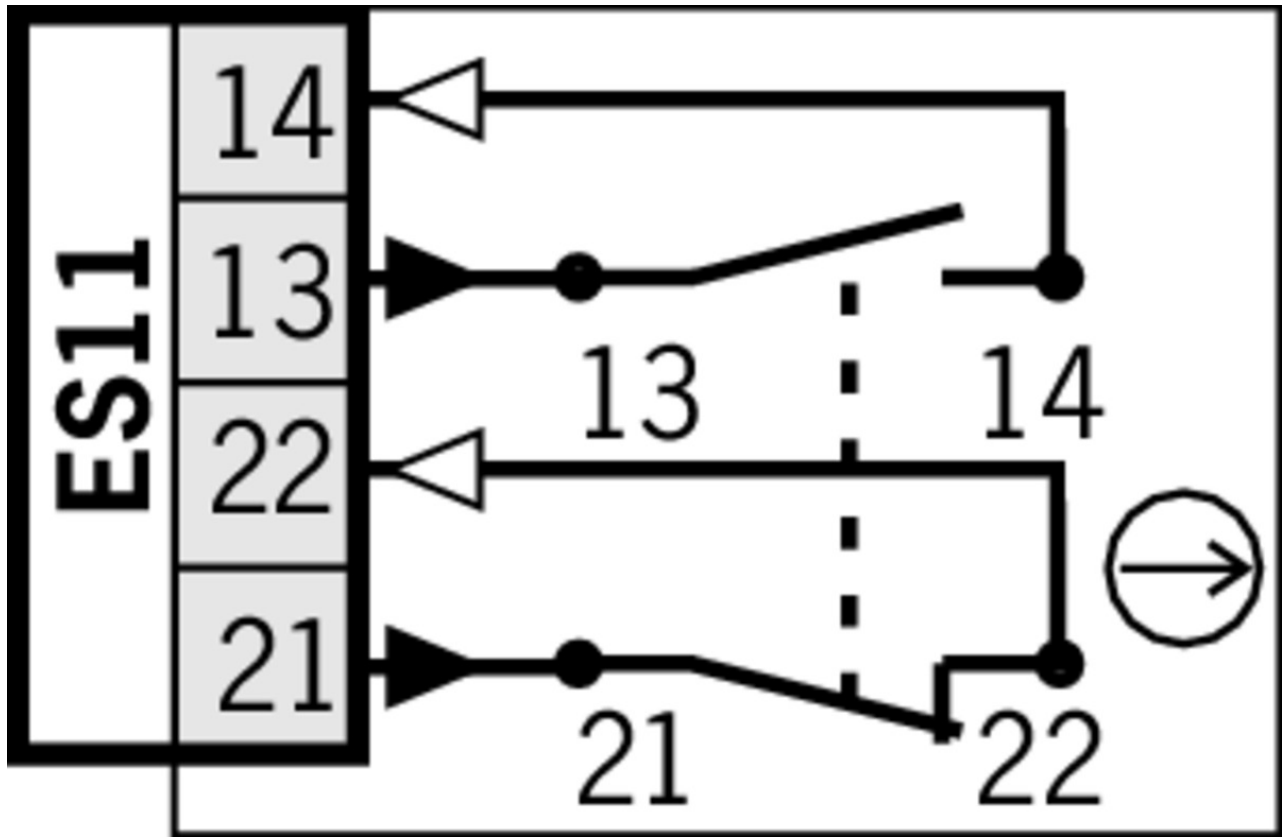
Dimension drawing



Legende

1 Approach direction

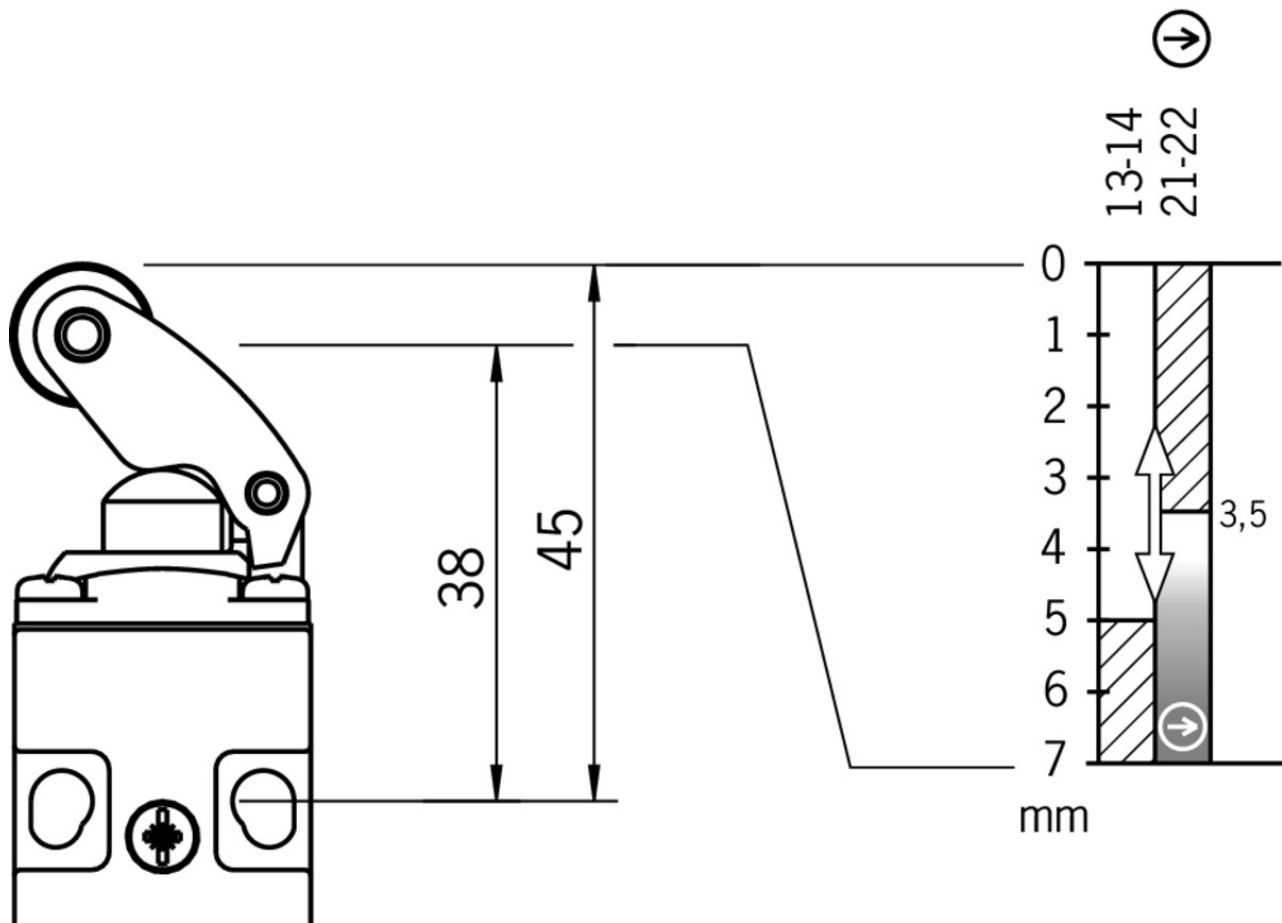
* fixed positioning for safety-related applications (M5)



Travel diagram

NM...KB

ES11



Mounting accessories

- ✓ Mounting plates EMP-SC for safety switches NM, NP...AS and NZ



085753 EMP-SC

- ✓ Features

› For vertical and horizontal mounting of safety switches NM, NP...AS and NZ

Connection material

- ✓ Cable glands M16x1.5



084572 EKPM16/05

Instructions

Manual de instrucciones Interruptores de seguridad NM..KB

	Doc. no.	Version	Language	Download
Betriebsanleitung Sicherheitsschalter NM..KB Operating Instructions Safety Switch NM..KB	2084460	08-02/18		 0.9 MB
Mode d'emploi Interrupteur de sécurité NM..KB	2084460	08-02/18		 0.5 MB
Manual de instrucciones Interruptores de seguridad NM..KB	2084460	08-02/18		 0.5 MB
Istruzioni di impiego Finecorsa di sicurezza NM..KB	2084460	08-02/18		 0.5 MB

Declaration of conformity

EU prohlášení o shodě

	Doc. no.	Version	Language	Download
EU-Konformitätserklärung Declaración UE de conformidad Déclaration UE de conformité Dichiarazione di conformità EU declaration of conformity	2077153	25-02/17	    	 0.3 MB
EU prohlášení o shodě EU-overensstemmelseserklæring Δήλωση συμμόρφωσης της ΕΕ EU-vaatimustenmukaisuusvakuutus EU-típusbizonyítvány EU-conformiteitsverklaring Deklaracja zgodności UE Declaração de Conformidade UE Declarația de conformitate UE EÚ vyhlásenie o zhode	2077153	25-02/17	        	 0.5 MB

CAD data

CAD data for this item on TraceParts