

## ITEM 084524 NM02KBA-M

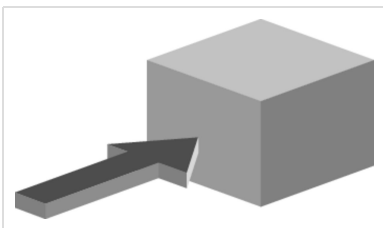
Description	Technical data	Accessories	Downloads
-------------	----------------	-------------	-----------



### Features

- › Cable entry M16 x 1.5

### Approach direction



- › Figure  
Horizontal  
Can be adjusted in 90° steps

### Switching element

**ES02** Slow-action switching contact 2 NC ⊖

## Approvals



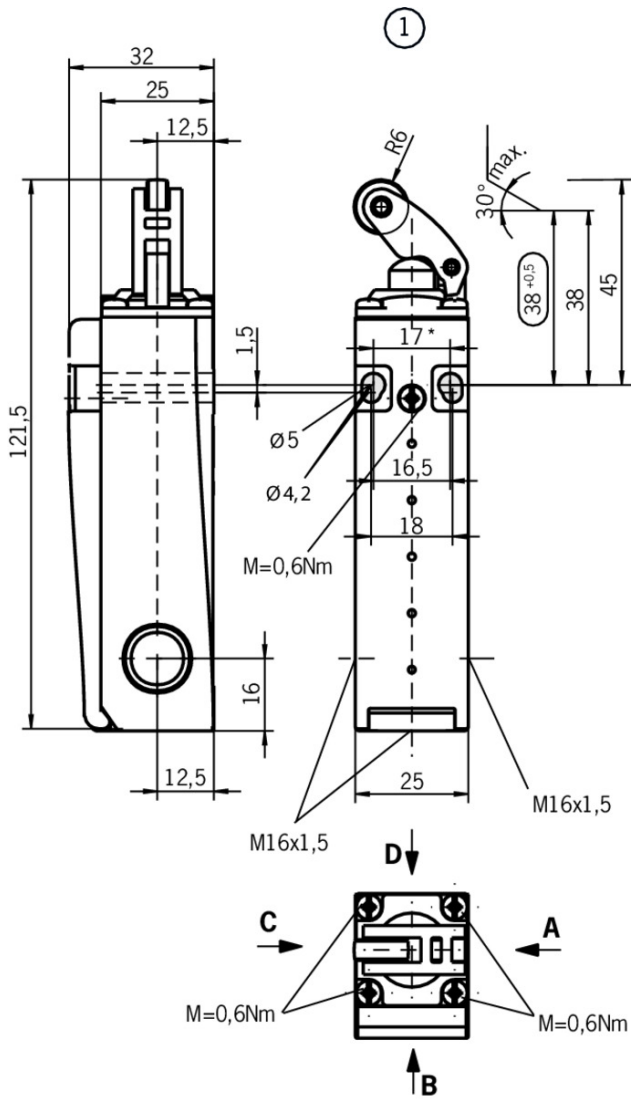
## Mechanical values and environment

Ambient temperature	-20 ... 80 °C
Mechanical life	20 x 10 <sup>6</sup>
Number of door position positively driven contacts	2
Actuation frequency	5000 1/h
Actuating force	15 N

## Electrical connection ratings

Rated thermal current $I_{th}$	4 A
Utilization category according to EN 60947-5-1	AC-15 DC-13
Rated insulation voltage $U_i$	250 V
Rated impulse withstand voltage $U_{imp}$	2,5 kV
Connection cross-section	0,34 ... 1,5 mm <sup>2</sup>

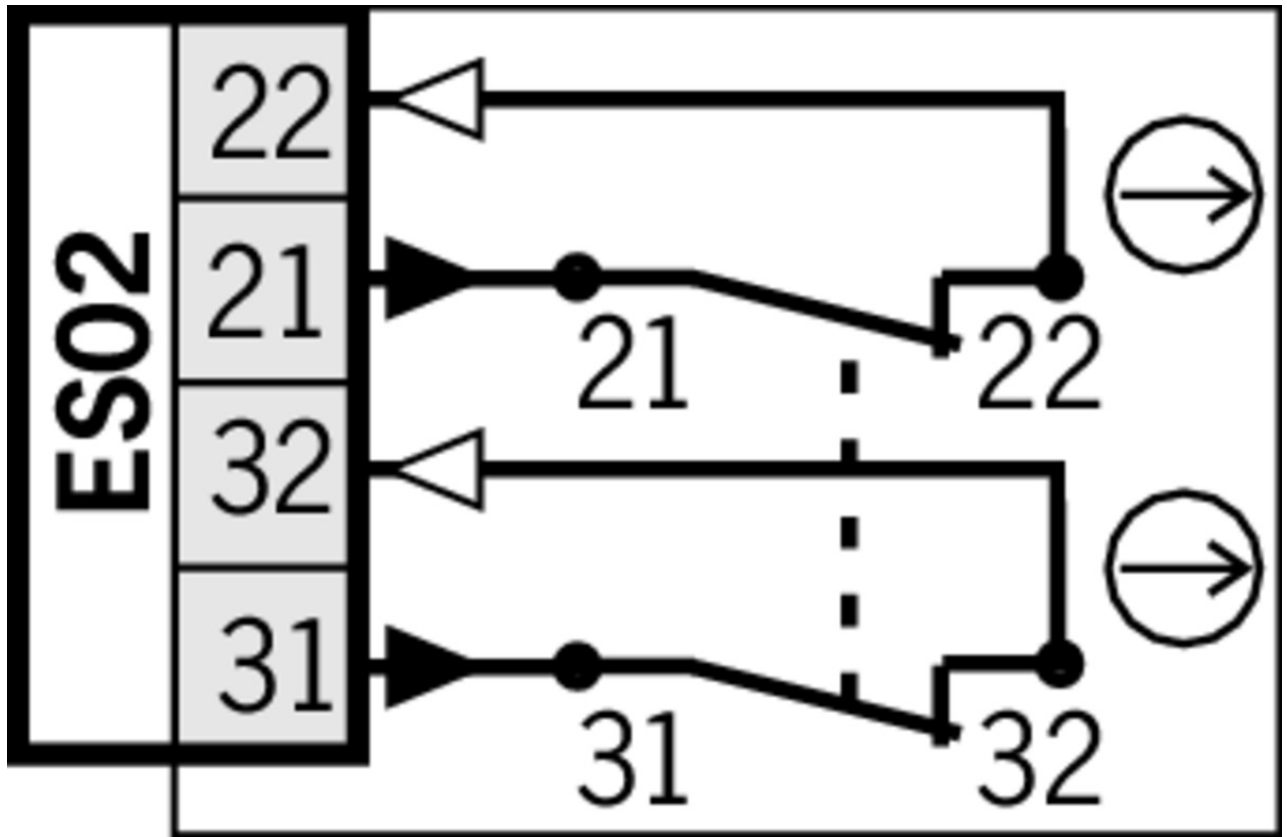
## Dimension drawing



## Legende

1 Approach direction

\* fixed positioning for safety-related applications (M5)



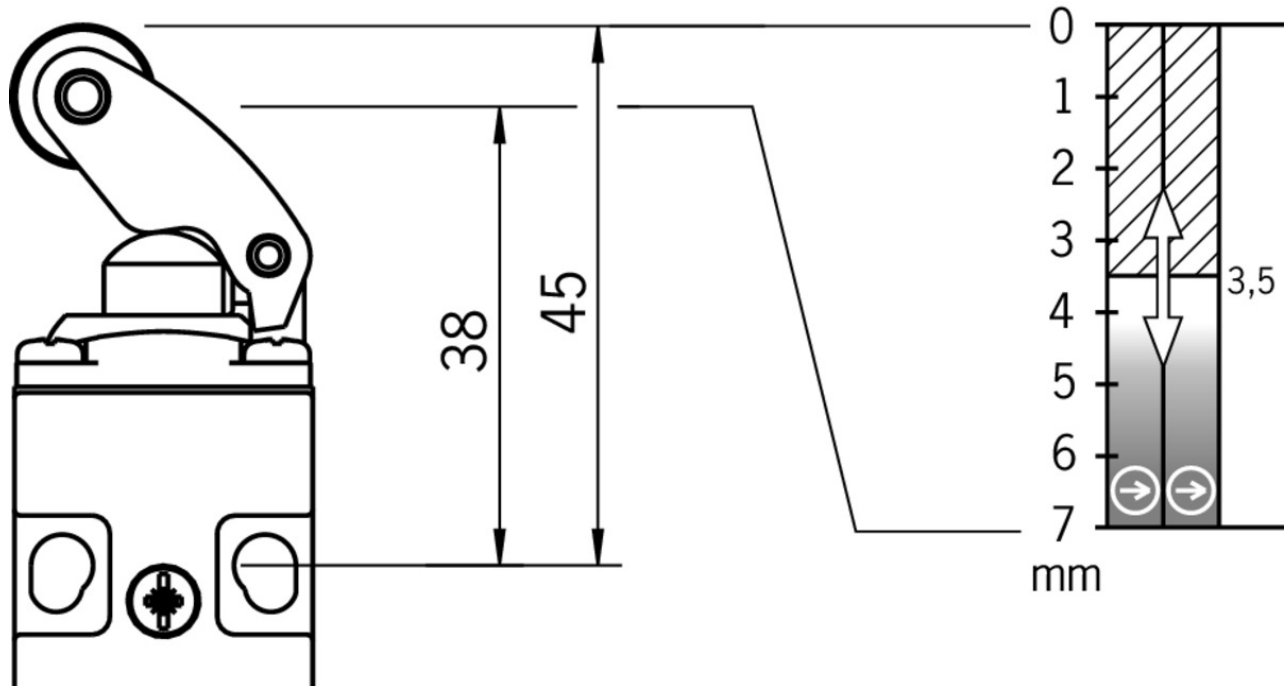
## Travel diagram

# NM...KB

# ES02



21-22  
31-32



## Connection material

- ✓ Cable glands M16x1.5



**084572** EKPM16/05

## Mounting accessories

- ✓ Mounting plates EMP-SC for safety switches NM, NP...AS and NZ



**085753** EMP-SC

- ✓ Features

› For vertical and horizontal mounting of safety switches NM, NP...AS and NZ

## Instructions

Manual de instrucciones Interruptores de seguridad NM..KB

	Doc. no.	Version	Language	Download
Betriebsanleitung Sicherheitsschalter NM..KB Operating Instructions Safety Switch NM..KB	2084460	08-02/18		 0.9 MB
Mode d'emploi Interrupteur de sécurité NM..KB	2084460	08-02/18		 0.5 MB
Manual de instrucciones Interruptores de seguridad NM..KB	2084460	08-02/18		 0.5 MB
Istruzioni di impiego Finecorsa di sicurezza NM..KB	2084460	08-02/18		 0.5 MB

**Declaration of conformity**

EU prohlášení o shodě

	Doc. no.	Version	Language	Download
EU-Konformitätserklärung Declaración UE de conformidad Déclaration UE de conformité Dichiarazione di conformità EU declaration of conformity	2077153	25-02/17	    	 0.3 MB
EU prohlášení o shodě EU-overensstemmelseserklæring Δήλωση συμμόρφωσης της ΕΕ EU-vaatimustenmukaisuusvakuutus EU-típusbizonyítvány EU-conformiteitsverklaring Deklaracja zgodności UE Declaração de Conformidade UE Declarația de conformitate UE EÚ vyhlásenie o zhode	2077153	25-02/17	        	 0.5 MB

**CAD data**

CAD data for this item on TraceParts