

ITEM 084525 NM12KBA-M

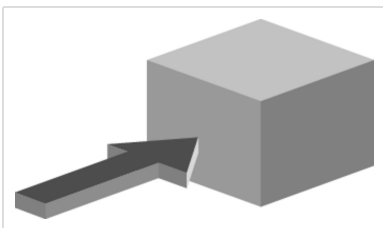
Description	Technical data	Accessories	Downloads
-------------	----------------	-------------	-----------



Features

- › Cable entry M16 x 1.5

Approach direction



- › Figure
Horizontal
Can be adjusted in 90° steps

Switching element

ES12 Slow-action switching contact 2 NC \ominus + 1 NO

Approvals



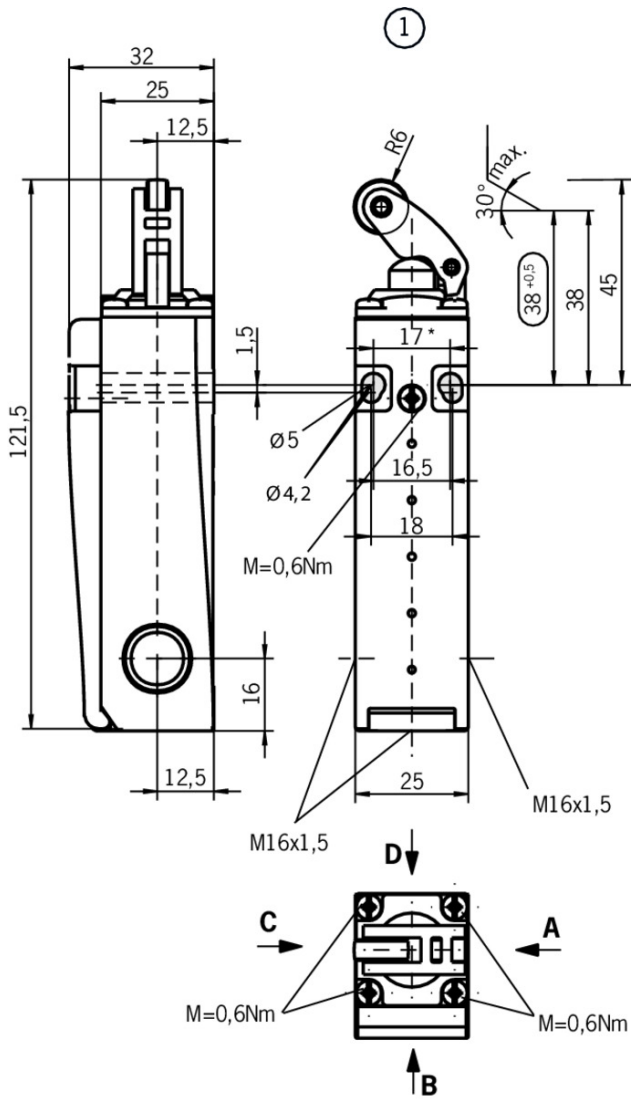
Mechanical values and environment

Ambient temperature	-20 ... 80 °C
Mechanical life	20 x 10 ⁶
Number of door position positively driven contacts	2
Number of door position NO contacts	1
Actuation frequency	5000 1/h
Actuating torque	0,1 Nm
Extraction force	10 N
Actuating force	10 N

Electrical connection ratings

Rated thermal current I_{th}	4 A
Utilization category according to EN 60947-5-1	AC-15 DC-13
Rated insulation voltage U_i	250 V
Rated impulse withstand voltage U_{imp}	2,5 kV
Connection cross-section	0,34 ... 1,5 mm ²

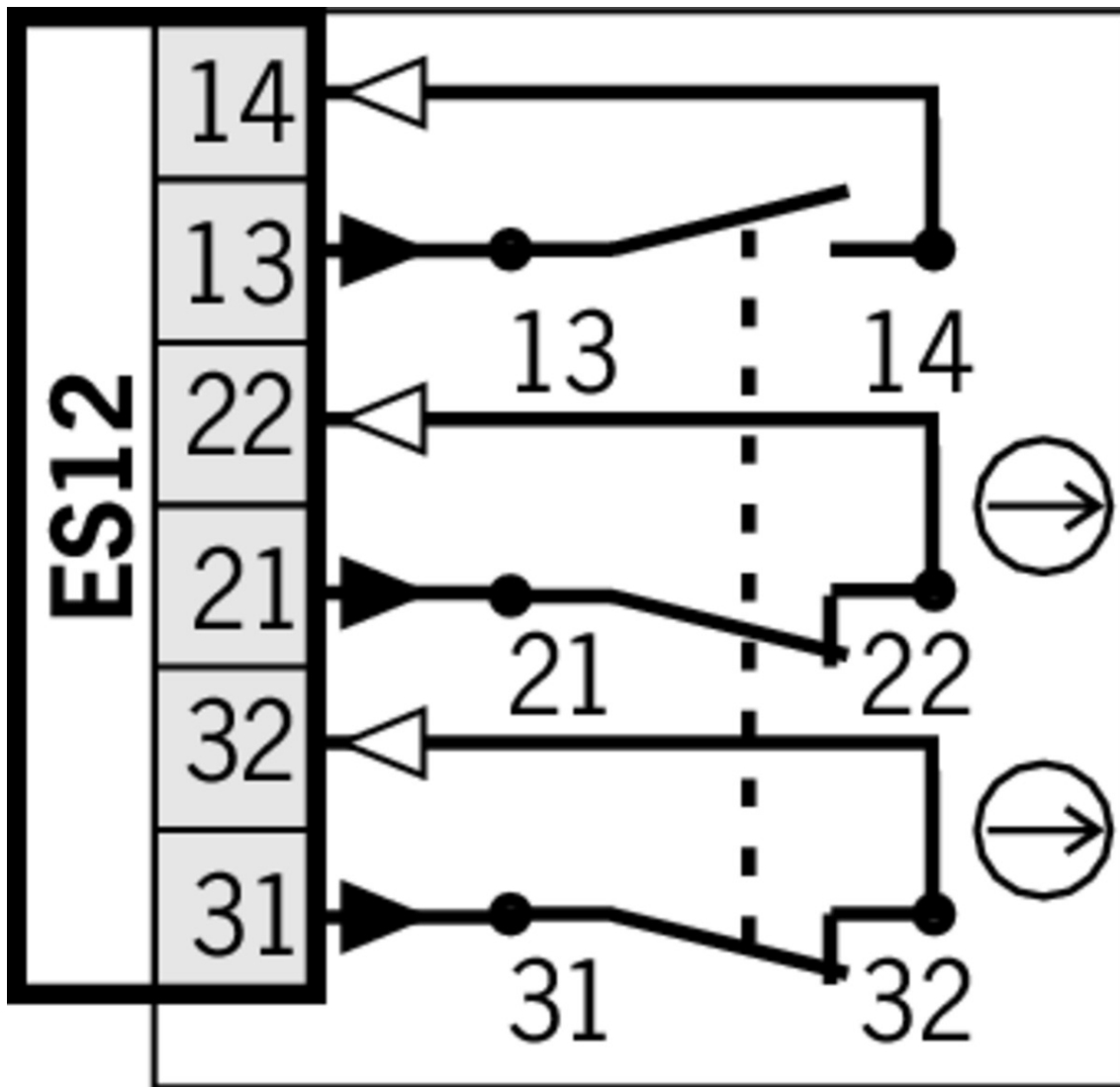
Dimension drawing



Legende

1 Approach direction

* fixed positioning for safety-related applications (M5)



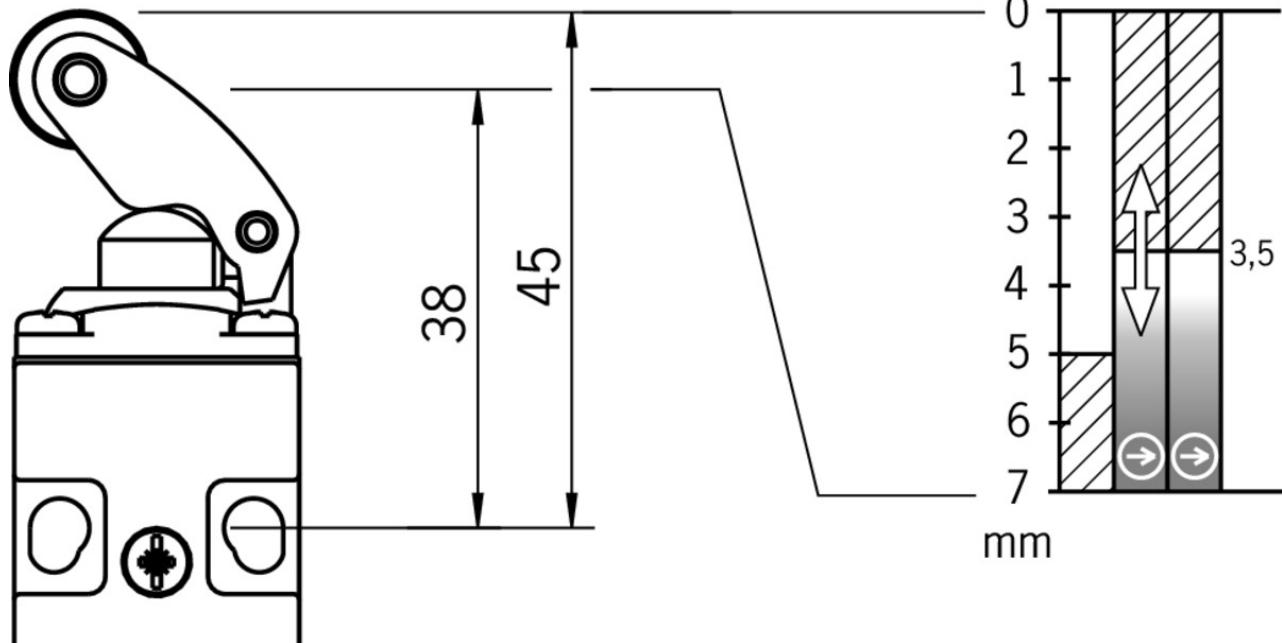
Travel diagram

NM...KB

ES12



13-14
21-22
31-32



Mounting accessories

- ✓ Mounting plates EMP-SC for safety switches NM, NP...AS and NZ



085753 EMP-SC

- ✓ Features

› For vertical and horizontal mounting of safety switches NM, NP...AS and NZ

Connection material

- ✓ Cable glands M16x1.5



084572 EKPM16/05












Instructions

Manual de instrucciones Interruptores de seguridad NM..KB

	Doc. no.	Version	Language	Download
Betriebsanleitung Sicherheitsschalter NM..KB Operating Instructions Safety Switch NM..KB	2084460	08-02/18	 	 0.9 MB
Mode d'emploi Interrupteur de sécurité NM..KB	2084460	08-02/18		 0.5 MB
Manual de instrucciones Interruptores de seguridad NM..KB	2084460	08-02/18		 0.5 MB
Istruzioni di impiego Finecorsa di sicurezza NM..KB	2084460	08-02/18		 0.5 MB

Catalogs

Bezpečnostní spínače s plastovým pouzdrém Sicherheitsschalter mit Kunststoffgehäuse Safety Switches with Plastic Housing Interruptores de seguridad con carcasa plástica Interrupteurs de sécurité avec boîtier plastique 塑料壳体 的安全开关

	Doc. no.	Version	Language	Download
Sicherheitsschalter mit Kunststoffgehäuse	096955	11-03/18		 6.6 MB
Interrupteurs de sécurité avec boîtier plastique	100677	11-03/18		 6.6 MB
Interruptores de seguridad con carcasa plástica	104855	11-03/18		 6.6 MB
Bezpečnostní spínače s plastovým pouzdrém	121649	11-03/18		 6.6 MB
Safety Switches with Plastic Housing	096956	11-03/18		 6.6 MB
塑料壳体 的安全开关	116243	11-03/18		 6.2 MB

Declaration of conformity

EU prohlášení o shodě

	Doc. no.	Version	Language	Download
EU-Konformitätserklärung Declaración UE de conformidad Déclaration UE de conformité Dichiarazione di conformità EU declaration of conformity	2077153	25-02/17	    	 0.3 MB
EU prohlášení o shodě EU-overensstemmelseserklæring Δήλωση συμμόρφωσης της ΕΕ EU-vaatimustenmukaisuusvakuutus EU-típusbizonyítvány EU-conformiteitsverklaring Deklaracja zgodności UE Declaração de Conformidade UE Declarația de conformitate UE EÚ vyhlásenie o zhode	2077153	25-02/17	        	 0.5 MB

CAD data

CAD data for this item on TraceParts