

ITEM 084496 NM11WOK-M

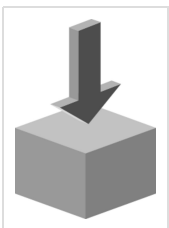
Description	Technical data	Accessories	Downloads
-------------	----------------	-------------	-----------



Features

- › Cable entry M16 x 1.5

Approach direction



- › Figure
Vertical

Switching element

ES11 Slow-action switching contact 1 NC⊖ + 1 NO

Approvals



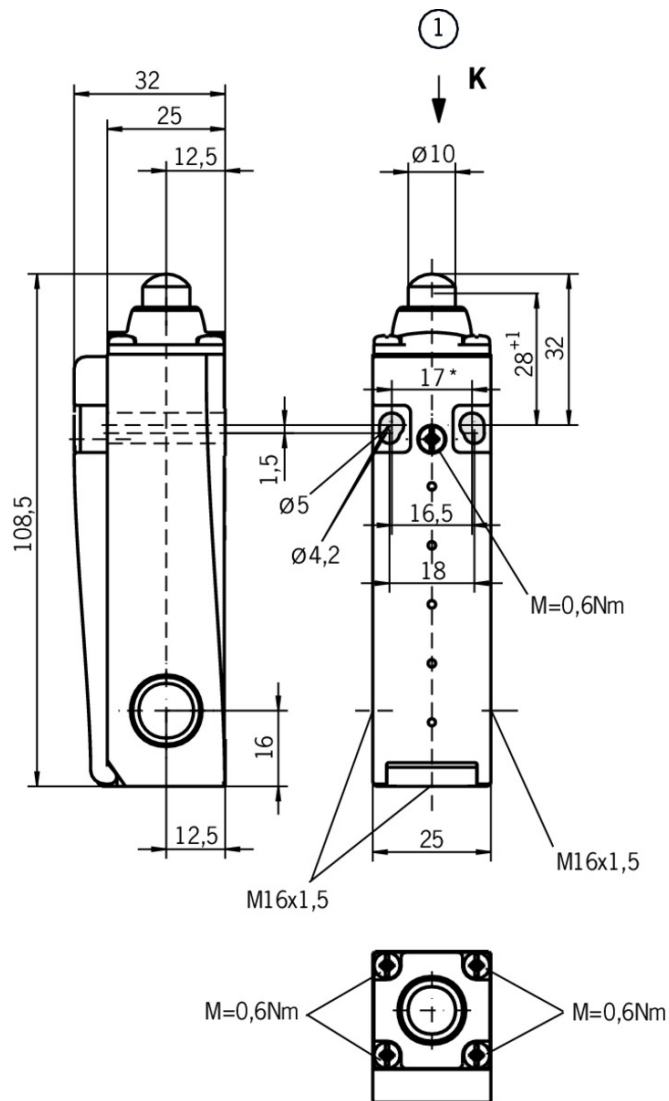
Mechanical values and environment

Ambient temperature	-20 ... 80 °C
Mechanical life	30 x 10 ⁶
Number of door position positively driven contacts	1
Number of door position NO contacts	1
Actuation frequency	5000 1/h
Actuating force	15 N

Electrical connection ratings

Rated thermal current I _{th}	4 A
Utilization category according to EN 60947-5-1	AC-15 DC-13
Rated insulation voltage U _i	250 V
Rated impulse withstand voltage U _{imp}	2,5 kV
Connection cross-section	0,34 ... 1,5 mm ²

Dimension drawing

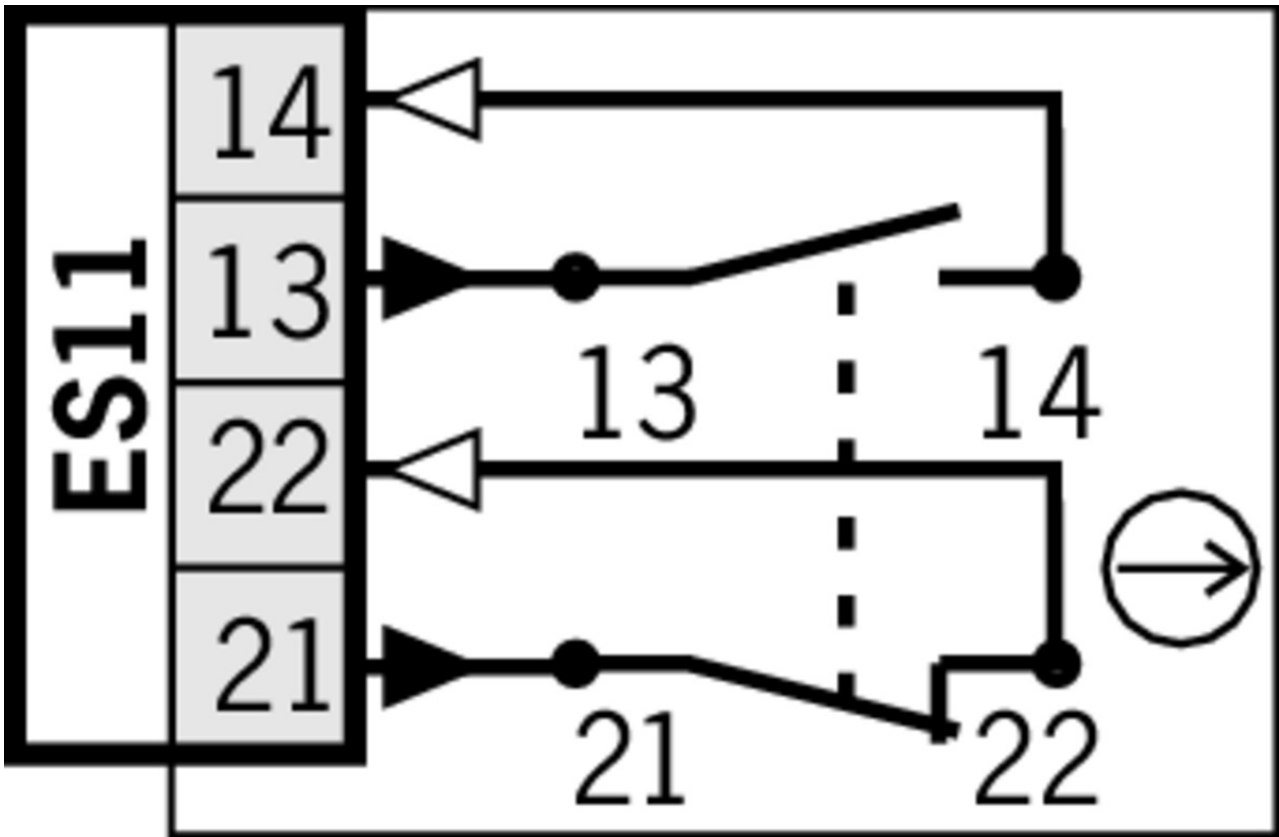


Legende

1 Approach direction

* fixed positioning for safety-related applications (M5)

ES11

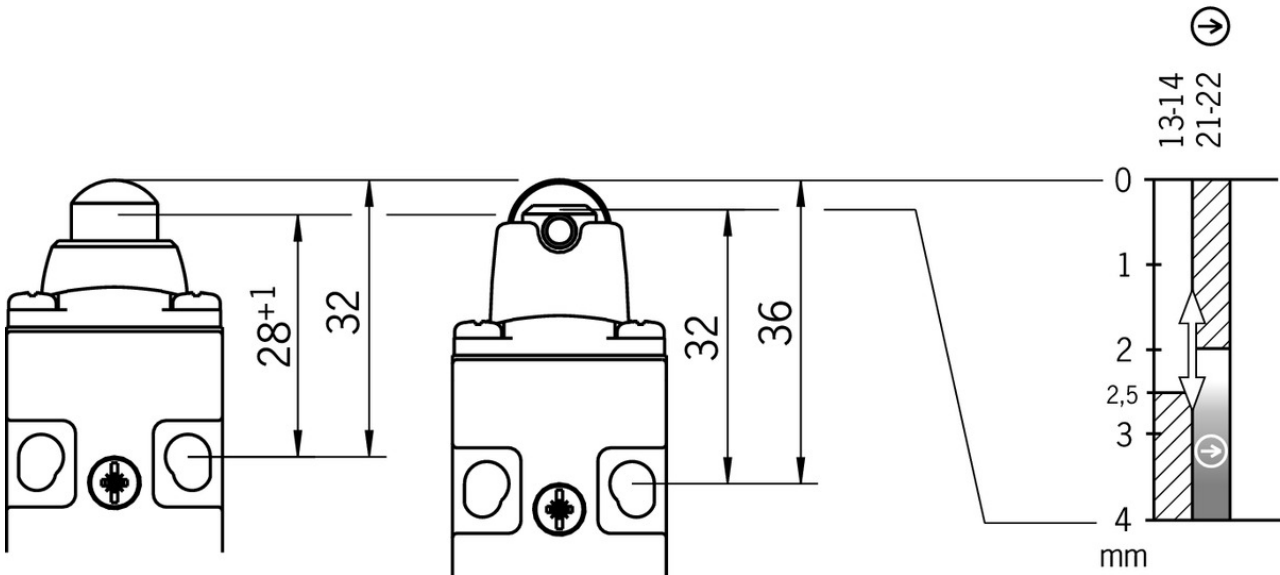


Travel diagram

NM...WO

NM...RB

ES11



Mounting accessories

- ✓ Mounting plates EMP-SC for safety switches NM, NP...AS and NZ



085753 EMP-SC

✓ Features

› For vertical and horizontal mounting of safety switches NM, NP...AS and NZ

Connection material

▼ Cable glands M16x1.5



084572 EKPM16/05

Instructions

▼ Manual de instrucciones Interruptores de seguridad NM..WO/RB

	Doc. no.	Version	Language	Download
Betriebsanleitung Sicherheitsschalter NM..WO/RB Operating Instructions Safety Switch NM..WO/RB	2084461	07-02/18	 	0.9 MB
Mode d'emploi Interrupteur de sécurité NM..WO/RB	2084461	07-02/18		0.5 MB
Manual de instrucciones Interruptores de seguridad NM..WO/RB	2084461	07-02/18		0.5 MB
Istruzioni di impiego Finecorsa di sicurezza NM..WO/RB	2084461	07-02/18		0.5 MB

Declaration of conformity

▼ EU prohlášení o shodě

	Doc. no.	Version	Language	Download
EU-Konformitätserklärung Declaración UE de conformidad Déclaration UE de conformité Dichiarazione di conformità EU declaration of conformity	2077153	25-02/17	 	0.3 MB
EU prohlášení o shodě EU-overensstemmelseserklæring Δήλωση συμμόρφωσης της ΕΕ EU-vaatimustenmukaisuusvakuutus EU-típusbizonyítvány EU-conformiteitsverklaring Deklaracja zgodności UE Declaração de Conformidade UE Declarația de conformitate UE EÚ vyhlásenie o zhode	2077153	25-02/17	 	0.5 MB

CAD data

CAD data for this item on TraceParts