

## ITEM 084554 NM11AG-M

Description	Technical data	Accessories	Downloads
-------------	----------------	-------------	-----------



### Features

- › Hinged actuator as hollow shaft
- › Internal diameter 10.2 mm
- › Cable entry M16 x 1.5

### Switching element

**ES11** Slow-action switching contact 1 NC $\ominus$  + 1 NO

### Approvals



### Mechanical values and environment

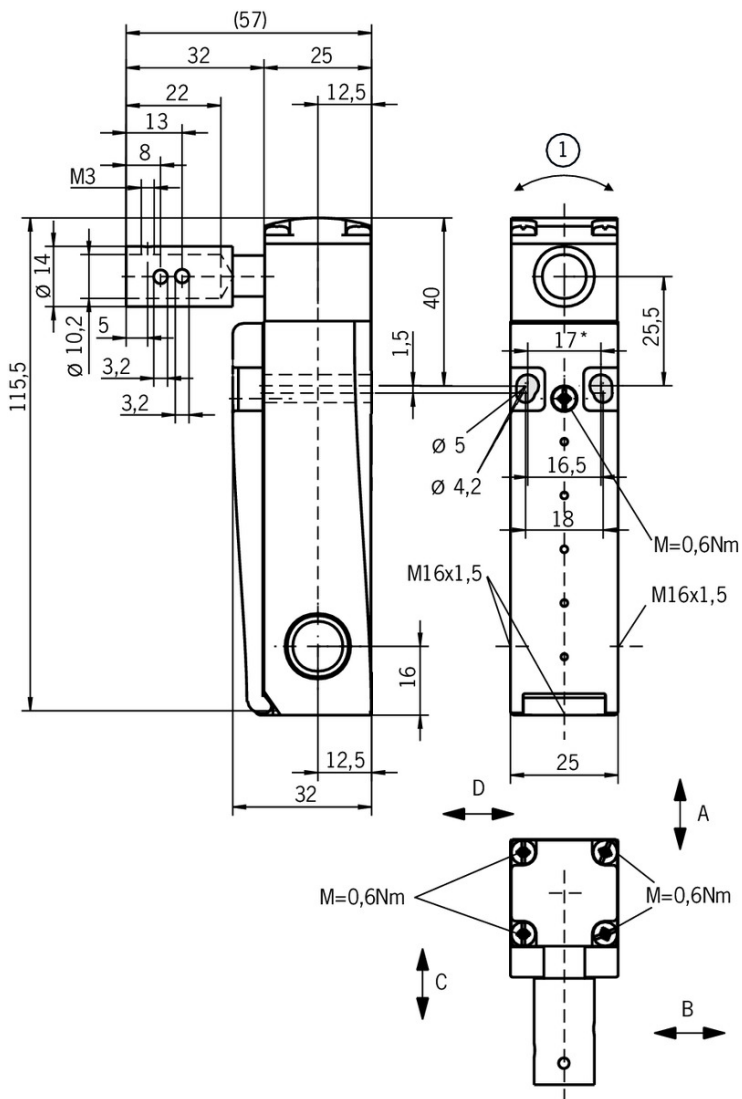
Ambient temperature	-20 ... 80 °C
Mechanical life	4 x 10 <sup>6</sup>

Number of door position positively driven contacts	1
Number of door position NO contacts	1
Actuation frequency	5000 1/h
Actuating torque	0,1 Nm

### Electrical connection ratings

Rated thermal current $I_{th}$	4 A
Utilization category according to EN 60947-5-1	AC-15 DC-13
Rated insulation voltage $U_i$	250 V
Rated impulse withstand voltage $U_{imp}$	2,5 kV
Connection cross-section	0,34 ... 1,5 mm <sup>2</sup>

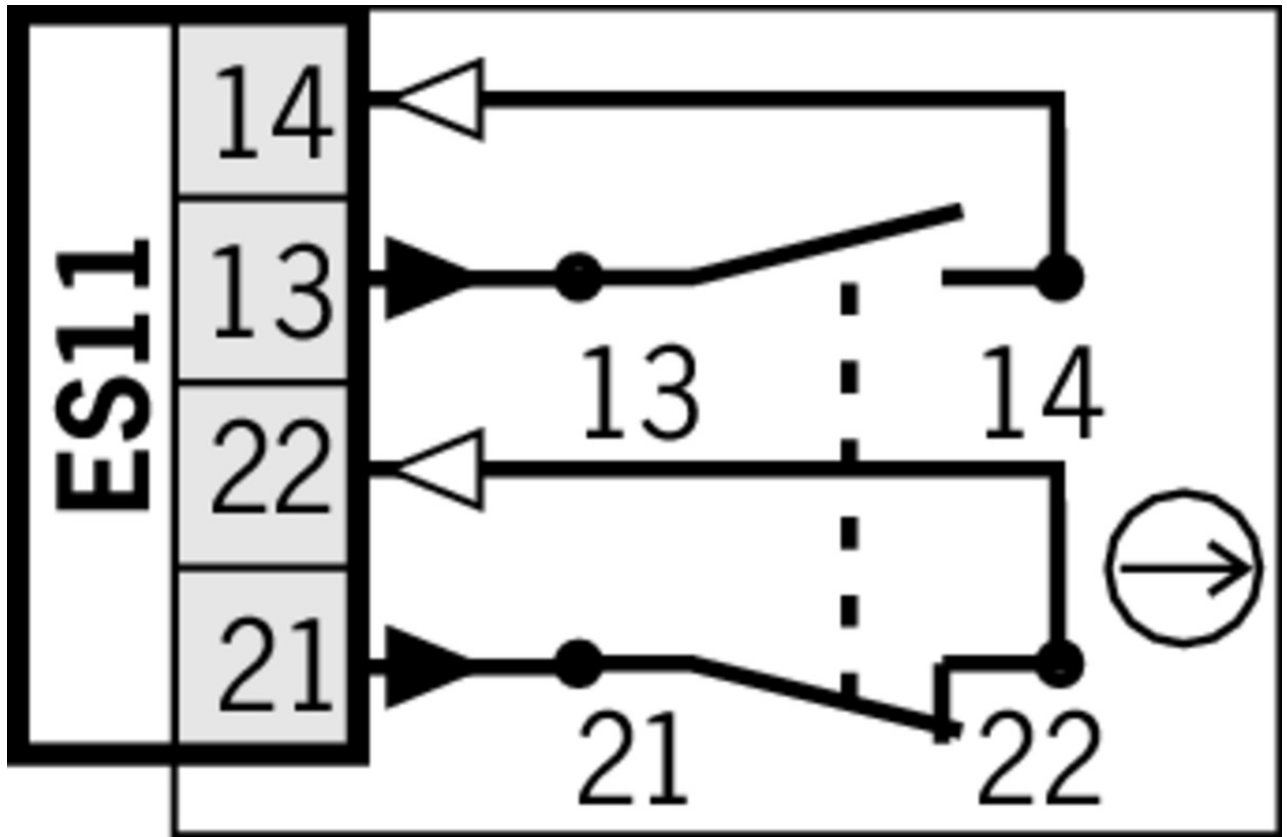
## Dimension drawing



## Legende

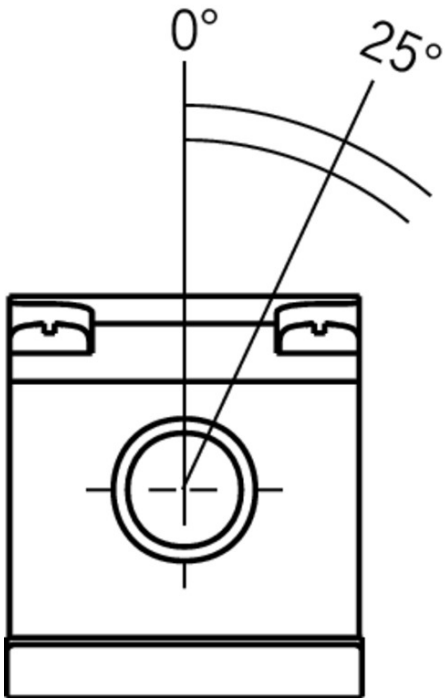
1 Actuating direction

\* fixed positioning for safety-related applications (M5)



## Travel diagram

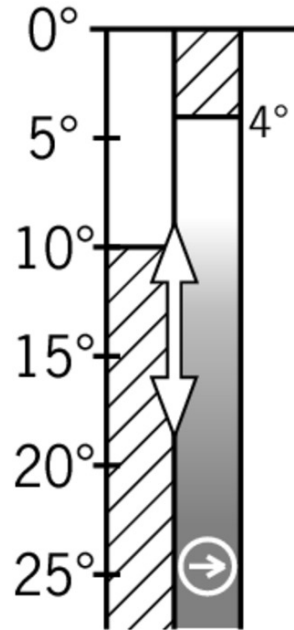
**NM...AV**  
**NM..AL**  
**NM..AG**  
**NM..AK**






**ES11**



13-14  
21-22



## Legende

-  Contacts closed
-  Contacts open
-  Contacts positively driven

## Mounting accessories

-  Mounting plates EMP-SC for safety switches NM, NP...AS and NZ



**085753** EMP-SC

-  Features

- › For vertical and horizontal mounting of safety switches NM, NP...AS and NZ

## Connection material

### ▼ Cable glands M16x1.5



**084572** EKPM16/05

## Instructions

### ▼ Manual de instrucciones Interruptores de seguridad NM..AK/AG

	Doc. no.	Version	Language	Download
Betriebsanleitung Sicherheitsschalter NM..AK/AG Operating Instructions Safety Switch NM..AK/AG	2084468	07-02/18	 	0.9 MB
Mode d'emploi Interrupteur de sécurité NM..AK/AG	2084468	07-02/18		0.5 MB
Manual de instrucciones Interruptores de seguridad NM..AK/AG	2084468	07-02/18		0.5 MB
Istruzioni di impiego Finecorsa di sicurezza NM..AK/AG	2084468	07-02/18		0.5 MB

## Declaration of conformity

### ▼ EU prohlášení o shodě

	Doc. no.	Version	Language	Download
EU-Konformitätserklärung Declaración UE de conformidad Déclaration UE de conformité Dichiarazione di conformità EU declaration of conformity	2077153	25-02/17	    	0.3 MB
EU prohlášení o shodě EU-overensstemmelseserklæring Δήλωση συμμόρφωσης της ΕΕ EU-vaatimustenmukaisuusvakuutus EU-típusbizonyítvány EU-conformiteitsverklaring Deklaracja zgodności UE Declaração de Conformidade UE Declarația de conformitate UE EÚ vyhlásenie o zhode	2077153	25-02/17	        	0.5 MB

## CAD data

CAD data for this item on TraceParts