

ITEM 084560 NM11AK-M

Description	Technical data	Accessories	Downloads
-------------	----------------	-------------	-----------



Features

- › Hinged actuator as hollow shaft
- › Internal diameter 8.2 mm
- › Cable entry M16 x 1.5

Switching element

ES11 Slow-action switching contact 1 NC⊖ + 1 NO

Approvals



Mechanical values and environment

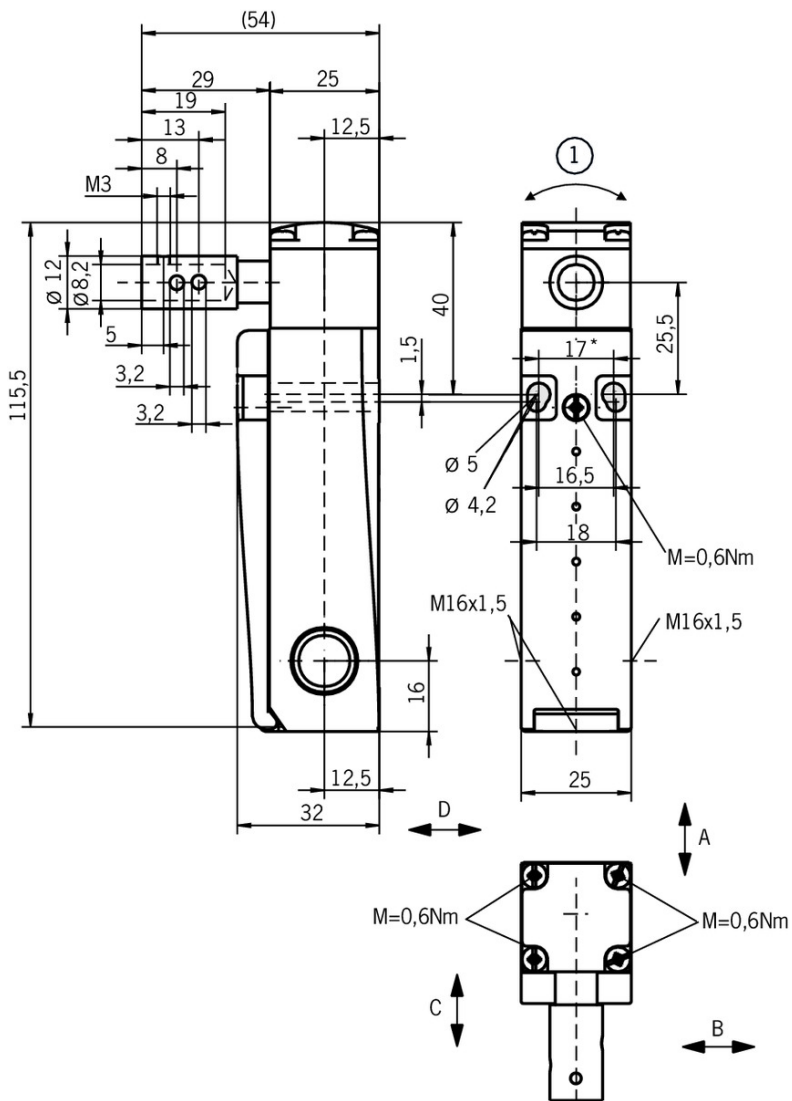
Ambient temperature	-20 ... 80 °C
Mechanical life	4 x 10 ⁶

Number of door position positively driven contacts	1
Number of door position NO contacts	1
Actuation frequency	5000 1/h
Actuating torque	0,1 Nm

Electrical connection ratings

Rated thermal current I_{th}	4 A
Utilization category according to EN 60947-5-1	AC-15 DC-13
Rated insulation voltage U_i	250 V
Rated impulse withstand voltage U_{imp}	2,5 kV
Connection cross-section	0,34 ... 1,5 mm ²

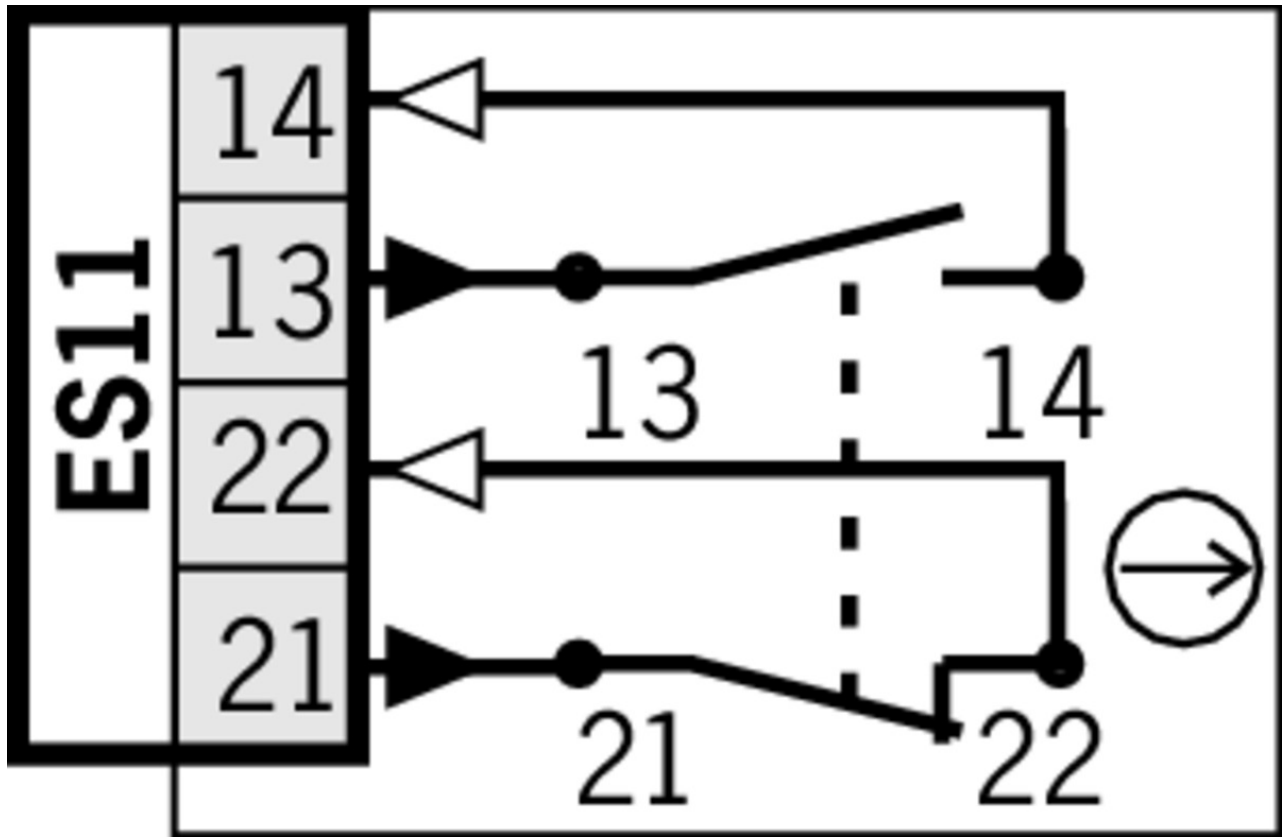
Dimension drawing



Legende

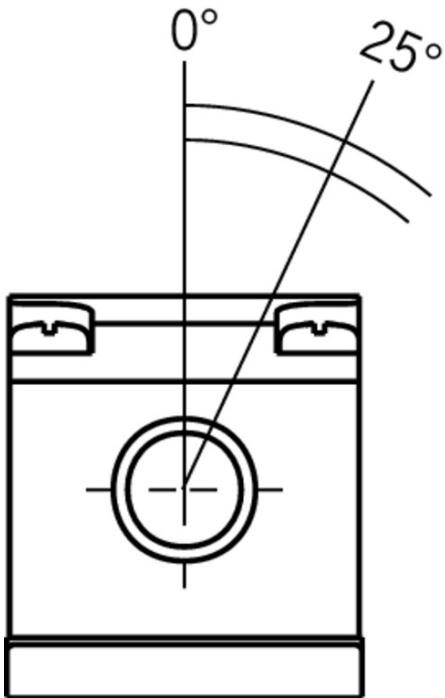
1 Actuating direction

* fixed positioning for safety-related applications (M5)



Travel diagram

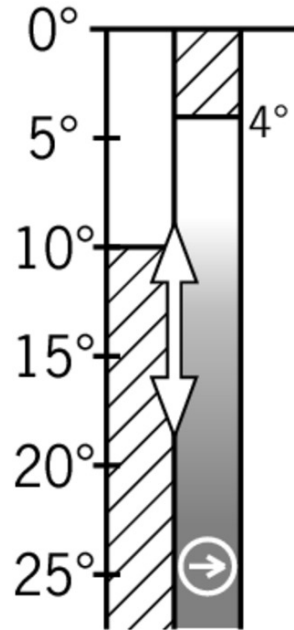
NM...AV
NM..AL
NM..AG
NM..AK






ES11



13-14
21-22



Legende

-  Contacts closed
-  Contacts open
-  Contacts positively driven

Mounting accessories

-  Mounting plates EMP-SC for safety switches NM, NP...AS and NZ



085753 EMP-SC

-  Features

-  For vertical and horizontal mounting of safety switches NM, NP...AS and NZ

Connection material

▼ Cable glands M16x1.5



084572 EKPM16/05

Instructions

▼ Manual de instrucciones Interruptores de seguridad NM..AK/AG

	Doc. no.	Version	Language	Download
Betriebsanleitung Sicherheitsschalter NM..AK/AG Operating Instructions Safety Switch NM..AK/AG	2084468	07-02/18	 	0.9 MB
Mode d'emploi Interrupteur de sécurité NM..AK/AG	2084468	07-02/18		0.5 MB
Manual de instrucciones Interruptores de seguridad NM..AK/AG	2084468	07-02/18		0.5 MB
Istruzioni di impiego Finecorsa di sicurezza NM..AK/AG	2084468	07-02/18		0.5 MB

Declaration of conformity

▼ EU prohlášení o shodě

	Doc. no.	Version	Language	Download
EU-Konformitätserklärung Declaración UE de conformidad Déclaration UE de conformité Dichiarazione di conformità EU declaration of conformity	2077153	25-02/17	 	0.3 MB
EU prohlášení o shodě EU-overensstemmelseserklæring Δήλωση συμμόρφωσης της ΕΕ EU-vaatimustenmukaisuusvakuutus EU-típusbizonyítvány EU-conformiteitsverklaring Deklaracja zgodności UE Declaração de Conformidade UE Declarația de conformitate UE EÚ vyhlásenie o zhode	2077153	25-02/17	 	0.5 MB

CAD data

CAD data for this item on TraceParts