

ITEM 093246 NM02AL-SM4

Description	Technical data	Accessories	Downloads
-------------	----------------	-------------	-----------



Features

- › Hinged actuator as solid shaft
- › Shaft length 110 mm
- › Plug connector M12

Switching element

ES02 Slow-action switching contact 2 NC ⊕

Approvals



Mechanical values and environment

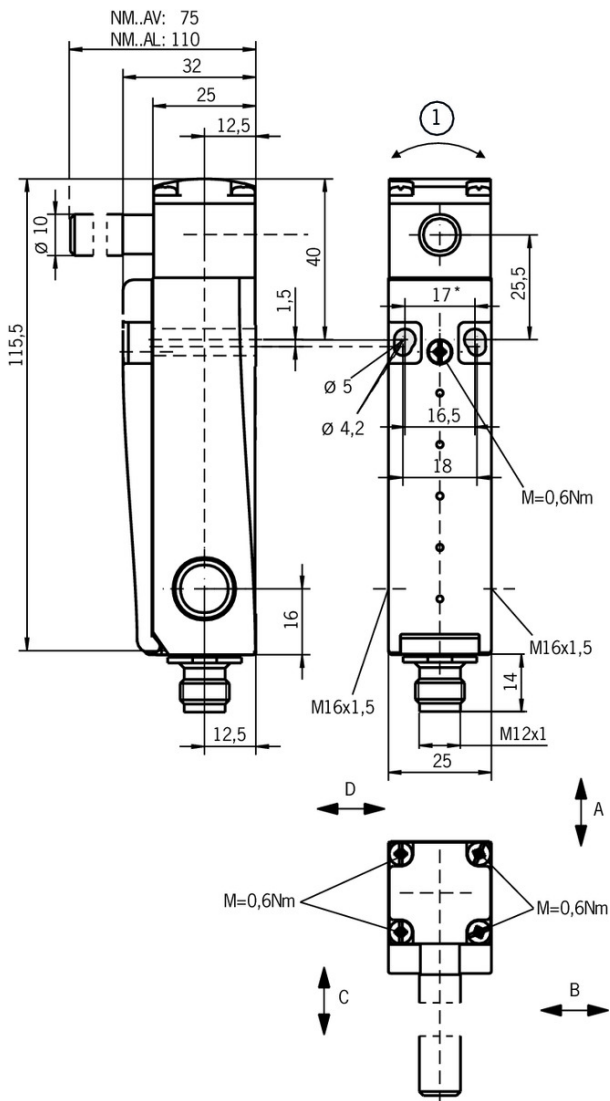
Ambient temperature	-20 ... 60 °C
Mechanical life	4 x 10 ⁶

Number of door position positively driven contacts	2
Actuation frequency	5000 1/h
Actuating torque	0,1 Nm

Electrical connection ratings

Rated thermal current I_{th}	1,5 A
Utilization category according to EN 60947-5-1	AC-15 DC-13
Rated insulation voltage U_i	250 V
Rated impulse withstand voltage U_{imp}	2,5 kV

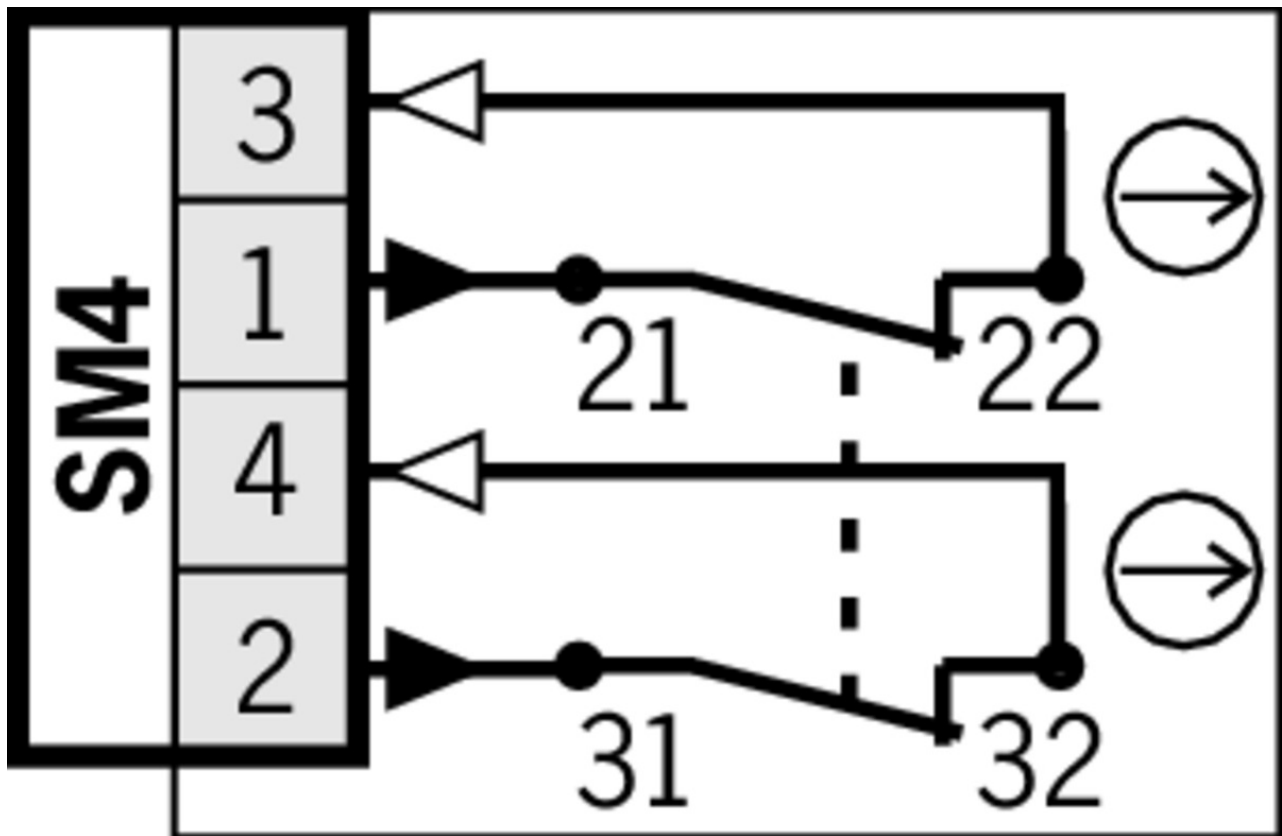
Dimension drawing



Legende

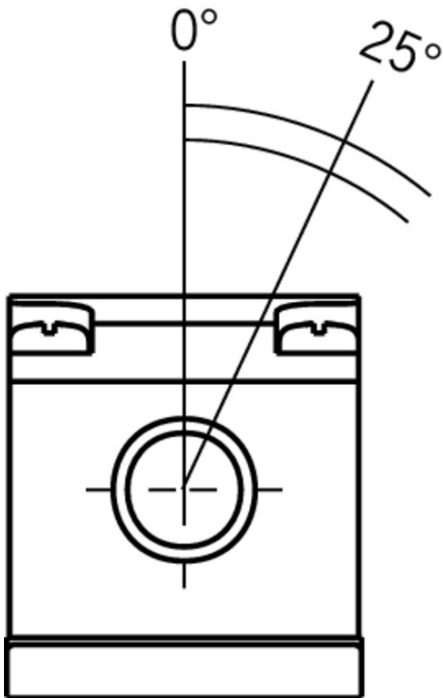
1 Actuating direction

* fixed positioning for safety-related applications (M5)



Travel diagram

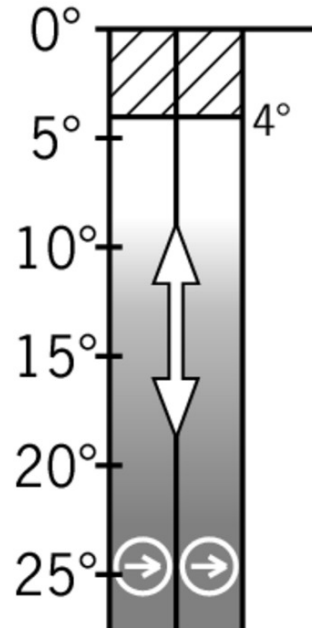
NM...AV
NM..AL
NM..AG
NM..AK



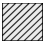

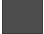
ES02



21-22
31-32



Legende

-  Contacts closed
-  Contacts open
-  Contacts positively driven

Mounting accessories

-  Mounting plates EMP-SC for safety switches NM, NP...AS and NZ



085753 EMP-SC

-  Features

-  For vertical and horizontal mounting of safety switches NM, NP...AS and NZ

Connection material

Plug connector M12



035618 C-M12F04-04X034PU05,0-GA-035618

Features

- › M12 female plug, 4-pin
- › Angled plug connector
- › PUR cable
- › Halogen-free
- › Cable length 5 m
- › With flying lead
- › Cores color-coded



035613 C-M12F04-04X034PU05,0-GA-035613

Features

- › M12 female plug, 4-pin
- › Straight plug connector
- › PUR cable
- › Halogen-free
- › Cable length 5 m
- › With flying lead
- › Cores color-coded



Instructions





Manual de instrucciones Interruptores de seguridad NM..AV/AL

	Doc. no.	Version	Language	Download
Betriebsanleitung Sicherheitsschalter NM..AV/AL Operating Instructions Safety Switch NM..AV/AL	2084463	07-02/18	 	 0.9 MB
Mode d'emploi Interrupteur de sécurité NM..AV/AL	2084463	07-02/18		 0.5 MB
Manual de instrucciones Interruptores de seguridad NM..AV/AL	2084463	07-02/18		 0.5 MB
Istruzioni di impiego Finecorsa di sicurezza NM..AV/AL	2084463	07-02/18		 0.5 MB


Catalogs

Bezpečnostní spínače s plastovým pouzdrém Sicherheitsschalter mit Kunststoffgehäuse Safety Switches with Plastic Housing Interruptores de seguridad con carcasa plástica Interrupteurs de sécurité avec boîtier plastique 塑料壳体 的安全开关

	Doc. no.	Version	Language	Download
Sicherheitsschalter mit Kunststoffgehäuse	096955	11-03/18		 6.6 MB
Interrupteurs de sécurité avec boîtier plastique	100677	11-03/18		 6.6 MB
Interruptores de seguridad con carcasa plástica	104855	11-03/18		 6.6 MB
Bezpečnostní spínače s plastovým pouzdrém	121649	11-03/18		 6.6 MB

Safety Switches with Plastic Housing	096956	11-03/18		 6.6 MB
塑料壳体 的安全开关	116243	11-03/18		 6.2 MB

Declaration of conformity

 EU prohlášení o shodě

	Doc. no.	Version	Language	Download
EU-Konformitätserklärung	2077153	25-02/17		 0.3 MB
Declaración UE de conformidad				
Déclaration UE de conformité				
Dichiarazione di conformità				
EU declaration of conformity				
EU prohlášení o shodě	2077153	25-02/17		 0.5 MB
EU-overensstemmelseserklæring				
Δήλωση συμμόρφωσης της ΕΕ				
EU-vaatimustenmukaisuusvakuutus				
EU-típusbizonyítvány				
EU-conformiteitsverklaring				
Deklaracja zgodności UE				
Declaração de Conformidade UE				
Declarația de conformitate UE				
EÚ vyhlásenie o zhode				

CAD data

CAD data for this item on TraceParts