

## ITEM 095375 NM11WOK-MC2069

| Description | Technical data | Accessories | Downloads |
|-------------|----------------|-------------|-----------|
|-------------|----------------|-------------|-----------|



### Features

- › Cable entry M16 x 1.5

### Switching element

**ES11** Slow-action switching contact 1 NC $\ominus$  + 1 NO

### Approvals



### Mechanical values and environment

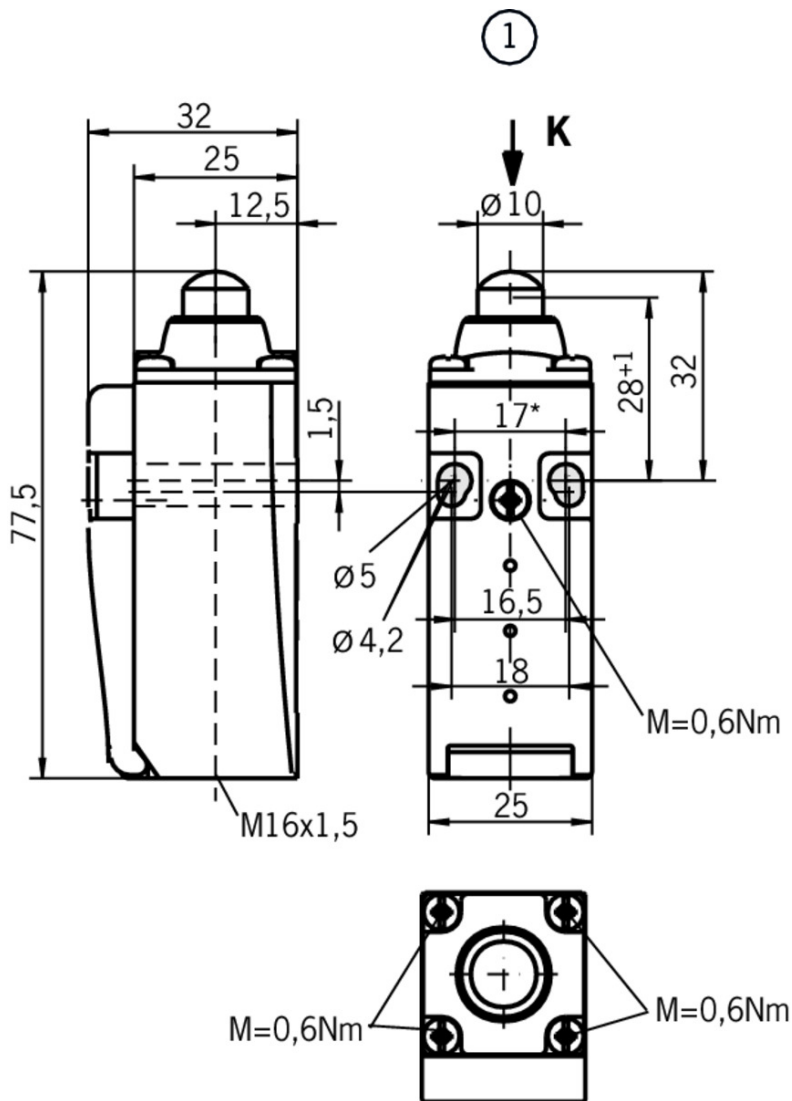
|                                                    |                      |
|----------------------------------------------------|----------------------|
| Ambient temperature                                | -20 ... 80 °C        |
| Mechanical life                                    | 30 x 10 <sup>6</sup> |
| Number of door position positively driven contacts | 1                    |

|                                     |          |
|-------------------------------------|----------|
| Number of door position NO contacts | 1        |
| Actuation frequency                 | 5000 1/h |
| Actuating force                     | 15 N     |

### Electrical connection ratings

|                                                |                              |
|------------------------------------------------|------------------------------|
| Rated thermal current $I_{th}$                 | 4 A                          |
| Utilization category according to EN 60947-5-1 | AC-15<br>DC-13               |
| Rated insulation voltage $U_j$                 | 250 V                        |
| Rated impulse withstand voltage $U_{imp}$      | 2,5 kV                       |
| Connection cross-section                       | 0,34 ... 1,5 mm <sup>2</sup> |

## Dimension drawing

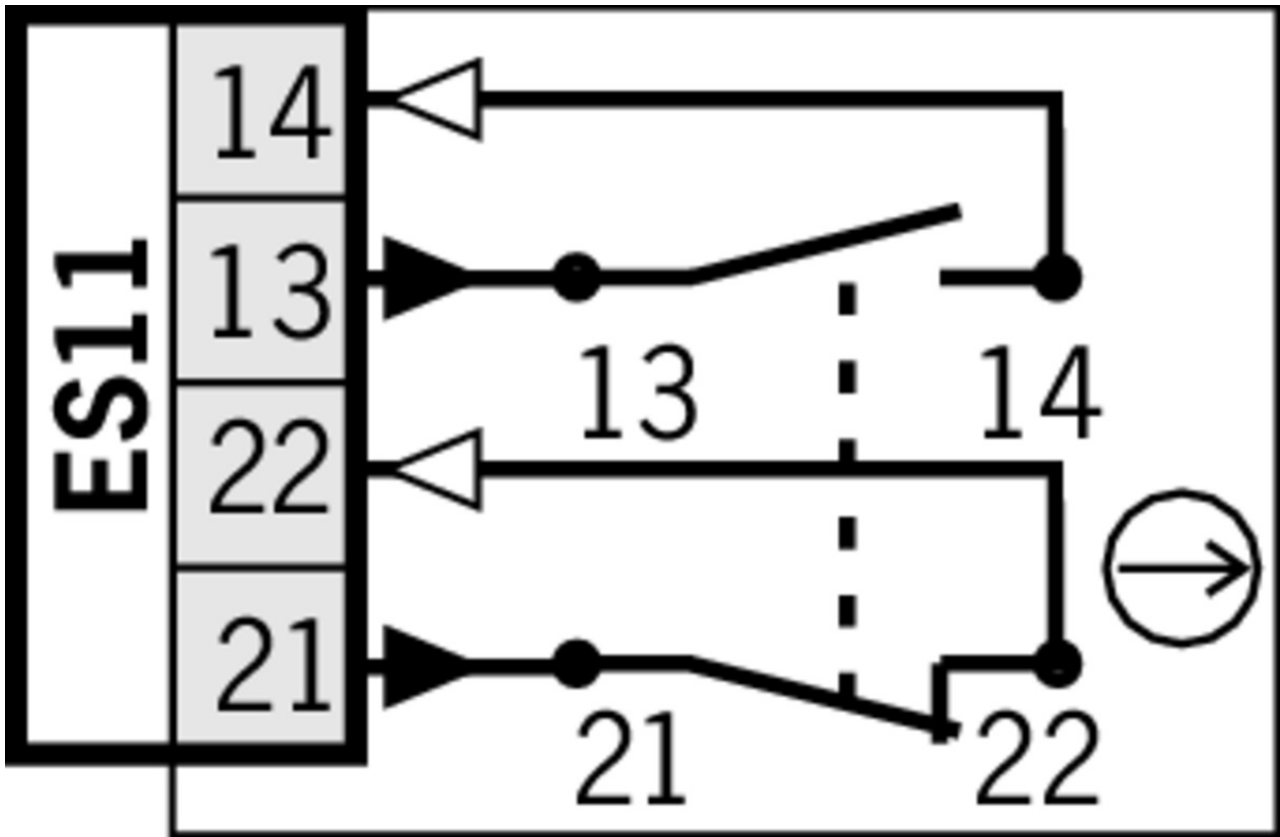


## Legende

1 Approach direction

\* fixed positioning for safety-related applications (M5)

**ES11**

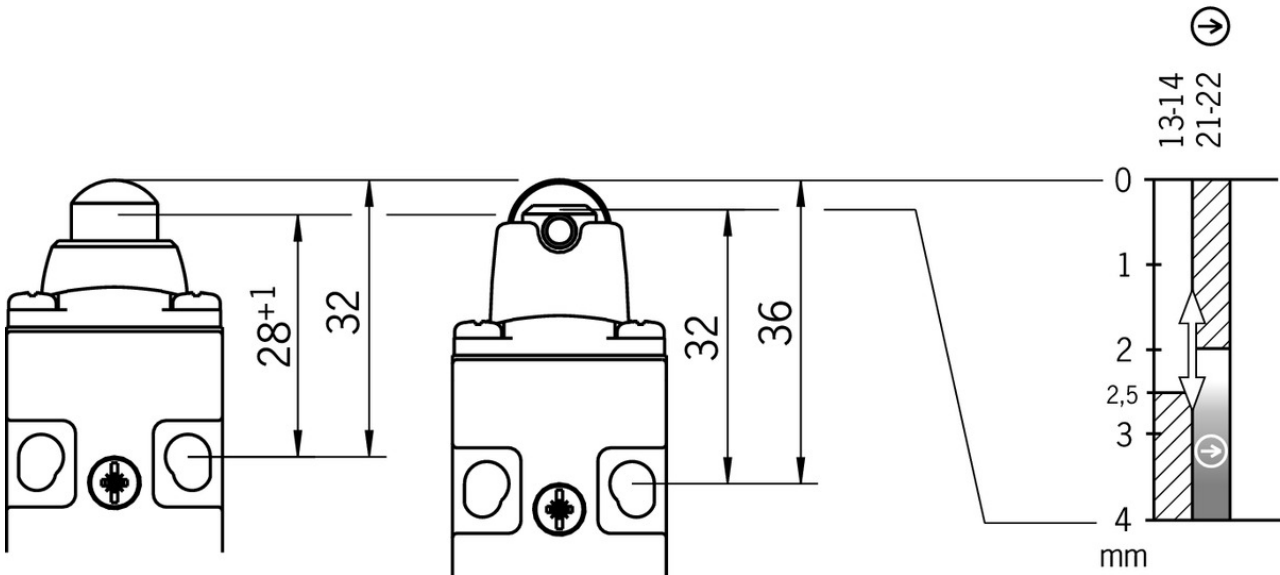


**Travel diagram**

**NM...WO**

**NM...RB**

**ES11**



**Mounting accessories**

- ✓ Mounting plates EMP-SC for safety switches NM, NP...AS and NZ



**085753** EMP-SC

✓ Features

- › For vertical and horizontal mounting of safety switches NM, NP...AS and NZ

## Connection material

- ▼ Cable glands M16x1.5



**084572** EKP16/05

## Instructions

- ▼ Manual de instrucciones Interruptores de seguridad NM..WO/RB

|                                                                                                   | Doc. no. | Version  | Language | Download |
|---------------------------------------------------------------------------------------------------|----------|----------|----------|----------|
| Betriebsanleitung Sicherheitsschalter NM..WO/RB<br>Operating Instructions Safety Switch NM..WO/RB | 2084461  | 07-02/18 |          | 0.9 MB   |
| Mode d'emploi Interrupteur de sécurité NM..WO/RB                                                  | 2084461  | 07-02/18 |          | 0.5 MB   |
| Manual de instrucciones Interruptores de seguridad NM..WO/RB                                      | 2084461  | 07-02/18 |          | 0.5 MB   |
| Istruzioni di impiego Finecorsa di sicurezza NM..WO/RB                                            | 2084461  | 07-02/18 |          | 0.5 MB   |

## Catalogs

- ▼ Bezpečnostní spínače s plastovým pouzdrém Sicherheitsschalter mit Kunststoffgehäuse Safety Switches with Plastic Housing Interruptores de seguridad con carcasa plástica Interrupteurs de sécurité avec boîtier plastique 塑料壳体 的安全开关

|                                                  | Doc. no. | Version  | Language | Download |
|--------------------------------------------------|----------|----------|----------|----------|
| Sicherheitsschalter mit Kunststoffgehäuse        | 096955   | 11-03/18 |          | 6.6 MB   |
| Interrupteurs de sécurité avec boîtier plastique | 100677   | 11-03/18 |          | 6.6 MB   |
| Interruptores de seguridad con carcasa plástica  | 104855   | 11-03/18 |          | 6.6 MB   |
| Bezpečnostní spínače s plastovým pouzdrém        | 121649   | 11-03/18 |          | 6.6 MB   |
| Safety Switches with Plastic Housing             | 096956   | 11-03/18 |          | 6.6 MB   |
| 塑料壳体 的安全开关                                       | 116243   | 11-03/18 |          | 6.2 MB   |

## Declaration of conformity

- ▼ EU prohlášení o shodě

| Doc. no. | Version | Language | Download |
|----------|---------|----------|----------|
|----------|---------|----------|----------|

|                                 |         |          |                                                                                     |                                                                                            |
|---------------------------------|---------|----------|-------------------------------------------------------------------------------------|--------------------------------------------------------------------------------------------|
| EU-Konformitätserklärung        | 2077153 | 25-02/17 |   |  0.3 MB  |
| Declaración UE de conformidad   |         |          |  |                                                                                            |
| Déclaration UE de conformité    |         |          |  |                                                                                            |
| Dichiarazione di conformità     |         |          |  |                                                                                            |
| EU declaration of conformity    |         |          |  |                                                                                            |
| EU prohlášení o shodě           | 2077153 | 25-02/17 |  |  0.5 MB |
| EU-overensstemmelseserklæring   |         |          |  |                                                                                            |
| Δήλωση συμμόρφωσης της ΕΕ       |         |          |  |                                                                                            |
| EU-vaatimustenmukaisuusvakuutus |         |          |  |                                                                                            |
| EU-típusbizonyítvány            |         |          |  |                                                                                            |
| EU-conformiteitsverklaring      |         |          |  |                                                                                            |
| Deklaracja zgodności UE         |         |          |  |                                                                                            |
| Declaração de Conformidade UE   |         |          |  |                                                                                            |
| Declarația de conformitate UE   |         |          |  |                                                                                            |
| EÚ vyhlásenie o zhode           |         |          |  |                                                                                            |

### CAD data

CAD data for this item on TraceParts