

ITEM 095363 NM11AK-MC2069

| Description | Technical data | Accessories | Downloads |
|-------------|----------------|-------------|-----------|
|-------------|----------------|-------------|-----------|



Features

- › Hinged actuator as hollow shaft
- › Internal diameter 8.2 mm
- › Cable entry M16 x 1.5

Switching element

ES11 Slow-action switching contact 1 NC⊖ + 1 NO

Approvals



Mechanical values and environment

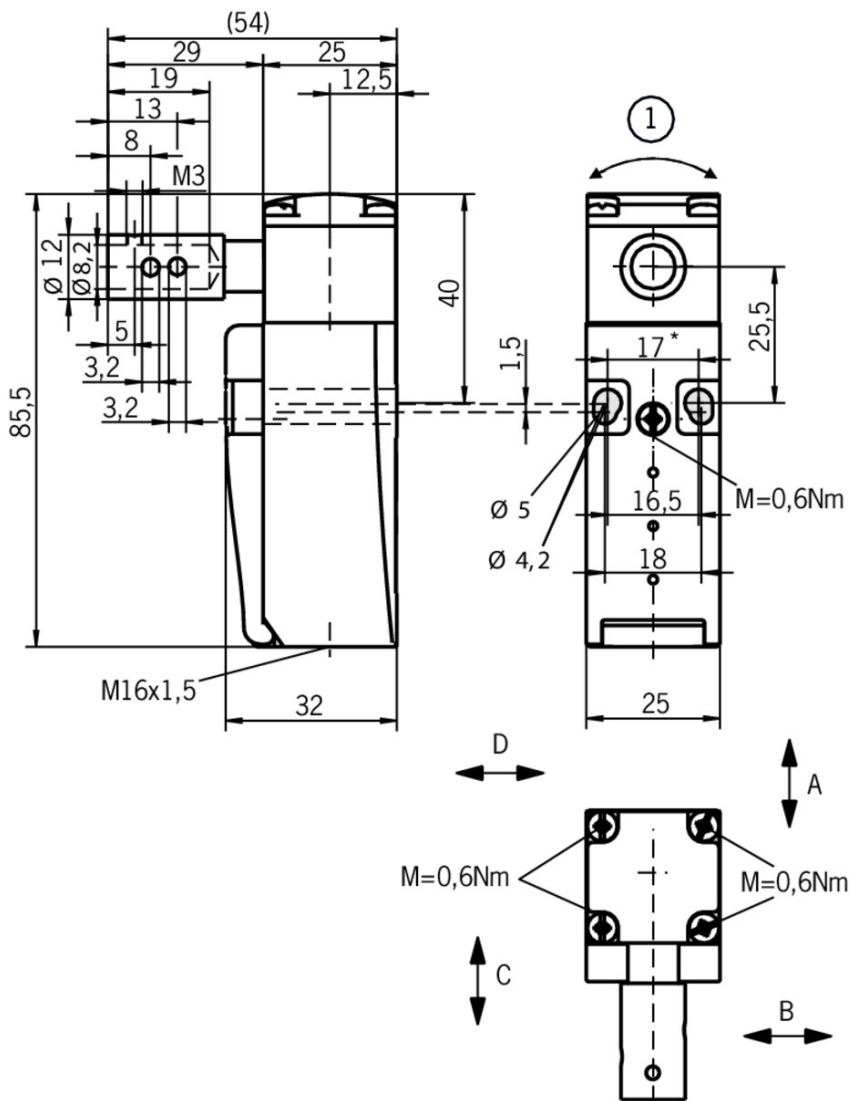
| | |
|---------------------|---------------------|
| Ambient temperature | -20 ... 80 °C |
| Mechanical life | 4 x 10 ⁶ |

| | |
|--|----------|
| Number of door position positively driven contacts | 1 |
| Number of door position NO contacts | 1 |
| Actuation frequency | 5000 1/h |
| Actuating torque | 0,1 Nm |

Electrical connection ratings

| | |
|--|------------------------------|
| Rated thermal current I_{th} | 4 A |
| Utilization category according to EN 60947-5-1 | AC-15 DC-13 |
| Rated insulation voltage U_i | 250 V |
| Rated impulse withstand voltage U_{imp} | 2,5 kV |
| Connection cross-section | 0,34 ... 1,5 mm ² |

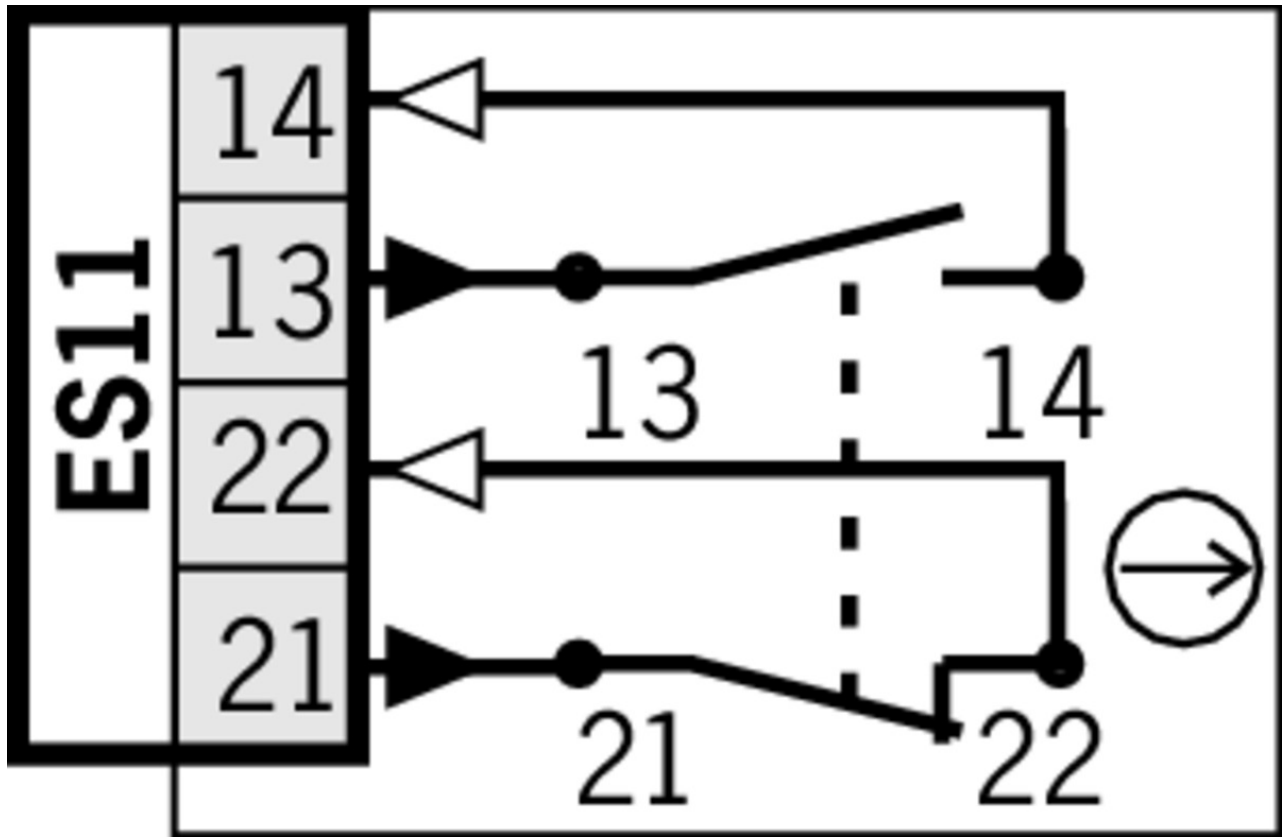
Dimension drawing



Legende

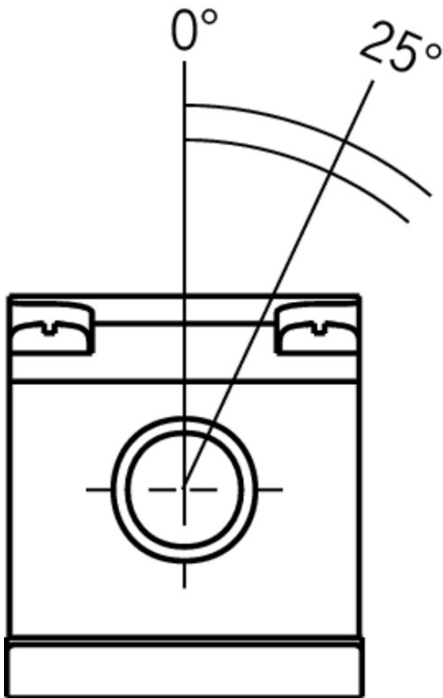
1 Actuating direction

* fixed positioning for safety-related applications (M5)



Travel diagram

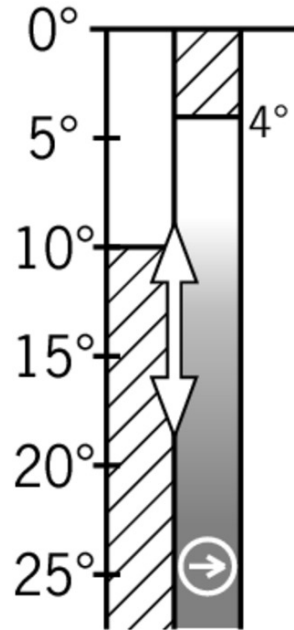
NM...AV
NM..AL
NM..AG
NM..AK






ES11



13-14
21-22



Legende

-  Contacts closed
-  Contacts open
-  Contacts positively driven

Mounting accessories

-  Mounting plates EMP-SC for safety switches NM, NP...AS and NZ



085753 EMP-SC

-  Features

- › For vertical and horizontal mounting of safety switches NM, NP...AS and NZ

Connection material

▼ Cable glands M16x1.5



084572 EKPM16/05

Instructions

▼ Manual de instrucciones Interruptores de seguridad NM..AK/AG

| | Doc. no. | Version | Language | Download |
|---|----------|----------|----------|----------|
| Betriebsanleitung Sicherheitsschalter NM..AK/AG Operating Instructions Safety Switch NM..AK/AG | 2084468 | 07-02/18 | | 0.9 MB |
| Mode d'emploi Interrupteur de sécurité NM..AK/AG | 2084468 | 07-02/18 | | 0.5 MB |
| Manual de instrucciones Interruptores de seguridad NM..AK/AG | 2084468 | 07-02/18 | | 0.5 MB |
| Istruzioni di impiego Finecorsa di sicurezza NM..AK/AG | 2084468 | 07-02/18 | | 0.5 MB |

Catalogs










▼ Bezpečnostní spínače s plastovým pouzdrém Sicherheitsschalter mit Kunststoffgehäuse Safety Switches with Plastic Housing Interruptores de seguridad con carcasa plástica Interrupteurs de sécurité avec boîtier plastique 塑料壳体 的安全开关

| | Doc. no. | Version | Language | Download |
|--|----------|----------|----------|----------|
| Sicherheitsschalter mit Kunststoffgehäuse | 096955 | 11-03/18 | | 6.6 MB |
| Interrupteurs de sécurité avec boîtier plastique | 100677 | 11-03/18 | | 6.6 MB |
| Interruptores de seguridad con carcasa plástica | 104855 | 11-03/18 | | 6.6 MB |
| Bezpečnostní spínače s plastovým pouzdrém | 121649 | 11-03/18 | | 6.6 MB |
| Safety Switches with Plastic Housing | 096956 | 11-03/18 | | 6.6 MB |
| 塑料壳体 的安全开关 | 116243 | 11-03/18 | | 6.2 MB |

Declaration of conformity

▼ EU prohlášení o shodě

| | Doc. no. | Version | Language | Download |
|--|----------|----------|----------|----------|
| EU-Konformitätserklärung Declaración UE de conformidad Déclaration UE de conformité Dichiarazione di conformità EU declaration of conformity | 2077153 | 25-02/17 | | 0.3 MB |

| | | | | |
|---------------------------------|---------|----------|---|---|
| EU prohlášení o shodě | 2077153 | 25-02/17 |  |  0.5 MB |
| EU-overensstemmelseserklæring | | |  | |
| Δήλωση συμμόρφωσης της ΕΕ | | |  | |
| EU-vaatimustenmukaisuusvakuutus | | |  | |
| EU-típusbizonyítvány | | |  | |
| EU-conformiteitsverklaring | | |  | |
| Deklaracja zgodności UE | | |  | |
| Declaração de Conformidade UE | | |  | |
| Declarația de conformitate UE | | |  | |
| EÚ vyhlásenie o zhode | | |  | |

CAD data

CAD data for this item on TraceParts