

ITEM 103382 NQ11VZ-5000

Description	Technical data	Accessories	Downloads
-------------	----------------	-------------	-----------



Features

- › Compact housing
- › Any installation position
- › connection cable 5m

Switching element

11 Slow-action switching contact 1 NC \rightarrow + 1 NO

Approvals



Mechanical values and environment

Housing material	Reinforced thermoplastic
Weight	

	Net 0,4 kg
Ambient temperature	-25 ... 70 °C
Degree of protection	IP67
Mechanical life	1 x 10 ⁶
Contact material	Silver alloy, gold flashed
Switching principle	Slow-action switching contact
Installation position	Any
Number of door position positively driven contacts	1
Number of door position NO contacts	1
Connection	Connection cable 5m
Approach speed	0,05 ... 1 m/min
Actuation frequency	1200 1/h
Retention force	1 N
Extraction force	10 N
Actuating force	5 N
Insertion depth	25,3 mm

Electrical connection ratings

Rated thermal current I _{th}	2,5 A
Utilization category according to EN 60947-5-1	AC-15 0.75A 250V DC-13 0.27A 250V
Short circuit protection according to IEC 60269-1	(Fuse) 2A gG
Rated insulation voltage U _i	250 V
Rated impulse withstand voltage U _{imp}	4 kV
Switching voltage	Min. at 10mA 12 V
Switching current	Min. at 24V 1 mA

Reliability values acc. to EN ISO 13849-1

	Monitoring of the safety guard position
B10 _D	2 x 10 ⁶

in combination with Actuator BETAETIGER-Q-GT, RADIUSBETAETIGER-Q-RO, RADIUSBETAETIGER-Q-LU, BETAETIGER-Q-WT

Mechanical values and environment

Overtravel A B C D E	2,9 mm
----------------------	--------

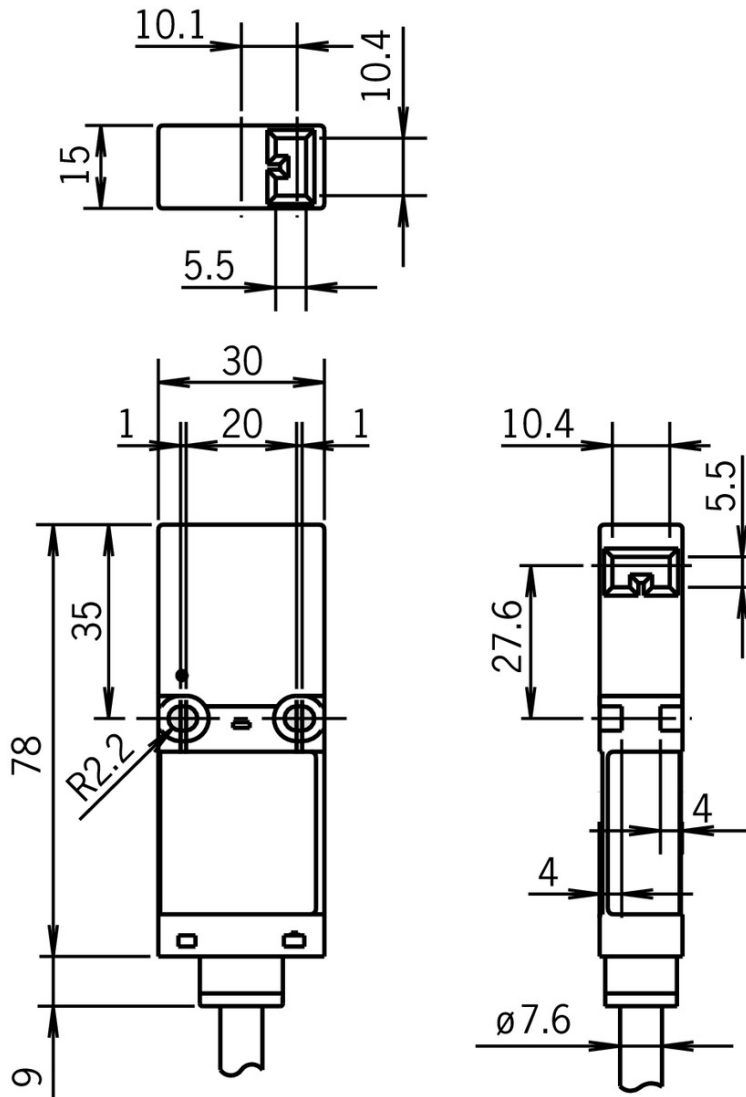
in combination with Actuator BETAETIGER-Q-WTB

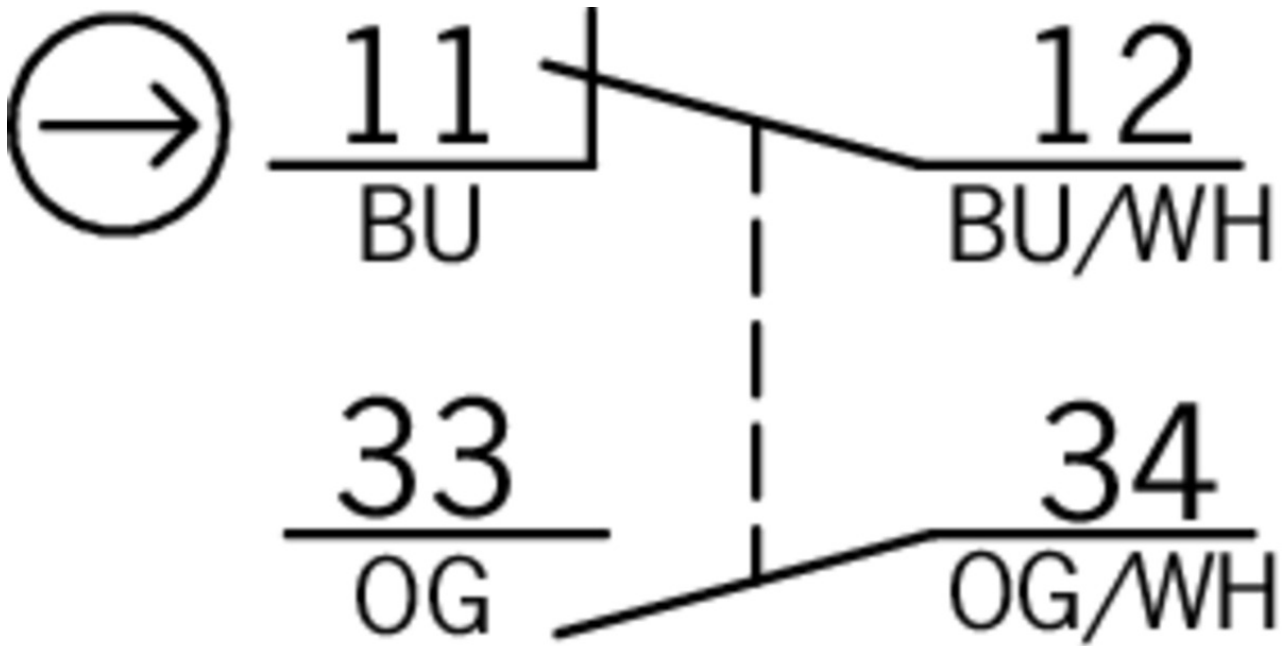
Mechanical values and environment

Overtravel A B C D E

2,3 mm

Dimension drawing





Actuator

- Actuator for safety switches NQ/TQ



103386 BETAETIGER-Q-GT

Features

- › With rubber bush
- › Minimum door radius 160 mm
- › Maximum locking force 500 N
- › Mounting aid included



103390 BETAETIGER-Q-WTB

Features

- › With rubber bush
- › Minimum door radius 160 mm
- › Maximum locking force 500 N
- › With mounting plate
- › Mounting aid included



103389 BETAETIGER-Q-WT

Features

- › With rubber bush
- › Minimum door radius 160 mm
- › Maximum locking force 500 N
- › Mounting aid included

- Hinged actuator left/bottom for safety switches NQ/TQ



103388 RADIUSBETAETIGER-Q-LU

Features

- › Minimum door radius 50 mm
- › For doors hinged on left and at bottom
- › Maximum locking force 500 N
- › Mounting aid included

▼ Hinged actuator right/top for safety switches NQ/TQ



103387 RADIUSBETAETIGER-Q-RO

▼ Features

- › Minimum door radius 50 mm
- › For doors hinged on right and at top
- › Maximum locking force 500 N
- › Mounting aid included

Instructions

▼ Betriebsanleitung Sicherheitsschalter NQ..VZ

	Doc. no.	Version	Language	Download
Betriebsanleitung Sicherheitsschalter NQ..VZ	103789	05-05/15		2.1 MB
Manual de instrucciones Interruptores de seguridad NQ..VZ				
Mode d'emploi Interrupteur de sécurité NQ..VZ				
Istruzioni di impiego Finecorsa di sicurezza NQ..VZ				
Operating Instructions Safety Switch NQ..VZ				

Catalogs

▼ Sicherheitsschalter NQ/TQ

	Doc. no.	Version	Language	Download
Sicherheitsschalter NQ/TQ	103699	05-03/16		0.6 MB
Safety Switches NQ/TQ				

Declaration of conformity

▼ EU-Konformitätserklärung

	Doc. no.	Version	Language	Download
EU-Konformitätserklärung	2105755	08-03/17		0.2 MB
Declaración UE de conformidad				
Déclaration UE de conformité				
Dichiarazione di conformità				
EU declaration of conformity				

CAD data

CAD data for this item on TraceParts