

## ITEM 089482 NZ1VZ-538EL220-M

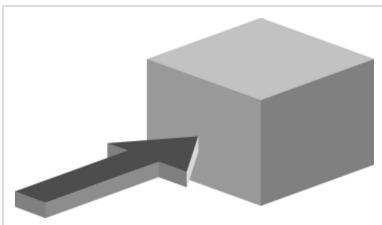
Description	Technical data	Accessories	Downloads
-------------	----------------	-------------	-----------



### Features

- › Housing according to EN 50041
- › Cable entry M20 x 1.5
- › LED indicator

### Approach direction



- › Figure  
Horizontal  
Can be adjusted in 90° steps

### LED function display

- A function display is available for the following voltage range:
- › AC 230 V  $\pm$ 15% red

## Switching element

538H Slow-action switching contact 2 NC $\ominus$

## Approvals



## Mechanical values and environment

Housing material	Anodized die-cast alloy
Weight	Net 0,3 kg
Ambient temperature	-25 ... 80 °C
Degree of protection	IP67
Mechanical life	2 x 10 <sup>6</sup>
Contact material	Silver alloy, gold flashed
Switching principle	Slow-action switching contact
Installation position	Any
Number of door position positively driven contacts	2
Connection	1 x M20 x 1.5
Approach speed	max.20 m/min
Actuation frequency	1200 1/h
Retention force	8 N
Extraction force	35 N
Actuating force	35 N
Insertion depth	52 mm

## Electrical connection ratings

Rated thermal current I <sub>th</sub>	4 A
Utilization category according to EN 60947-5-1	AC-15 4A 230V DC-13 4A 24V
Short circuit protection according to IEC 60269-1	(Fuse) 4A gG
Rated insulation voltage U <sub>i</sub>	AC/DC 250 V
Rated impulse withstand voltage U <sub>imp</sub>	2,5 kV
Switching voltage	Min. at 10mA 12 V

Switching current	Min. at 24V	1 mA
Connection cross-section		0,34 ... 0,75 mm <sup>2</sup>
Display module	AC	230 V [1]

### Reliability values acc. to EN ISO 13849-1

	<b>Monitoring of the safety guard position</b>
B10 <sub>D</sub>	4,5 x 10 <sup>6</sup>

### in combination with Actuator BETAETIGER-Z-G

#### Mechanical values and environment

Overtravel	4 mm
------------	------

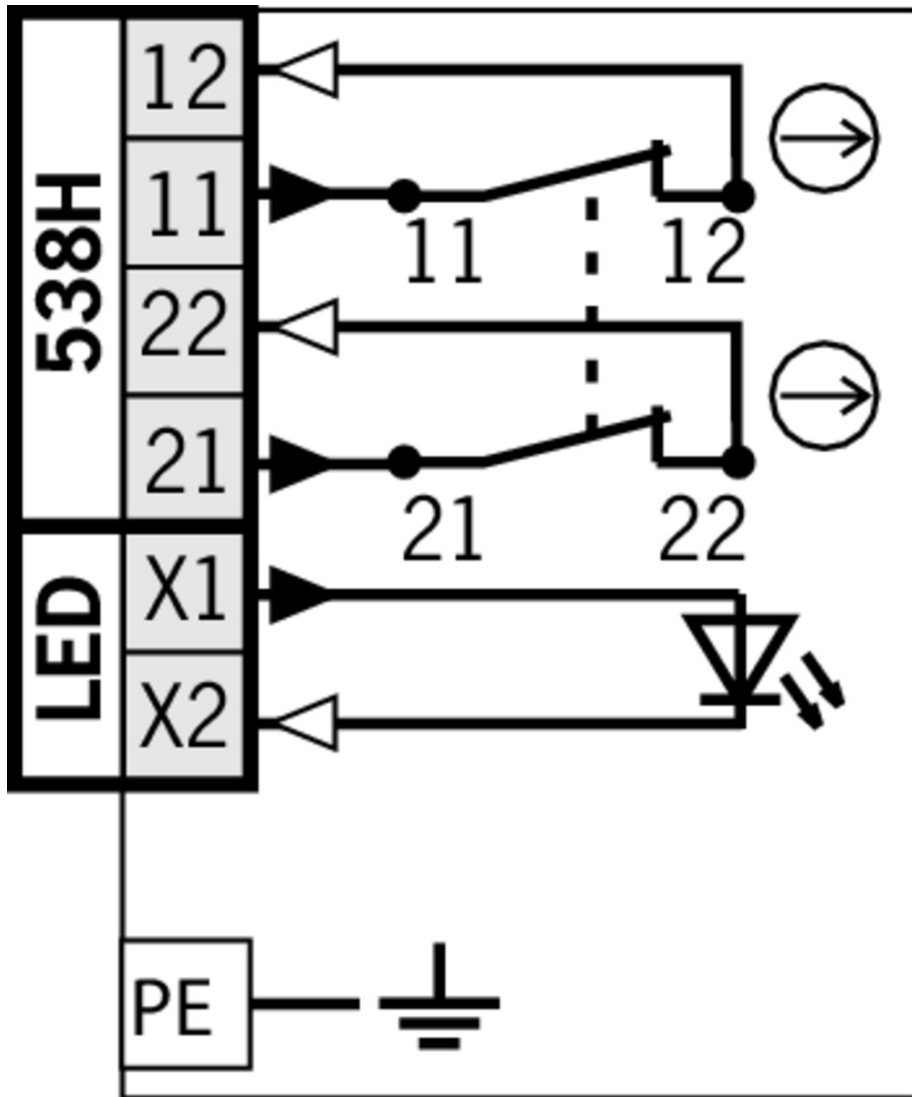
### in combination with Actuator BETAETIGER-Z-GN

#### Mechanical values and environment

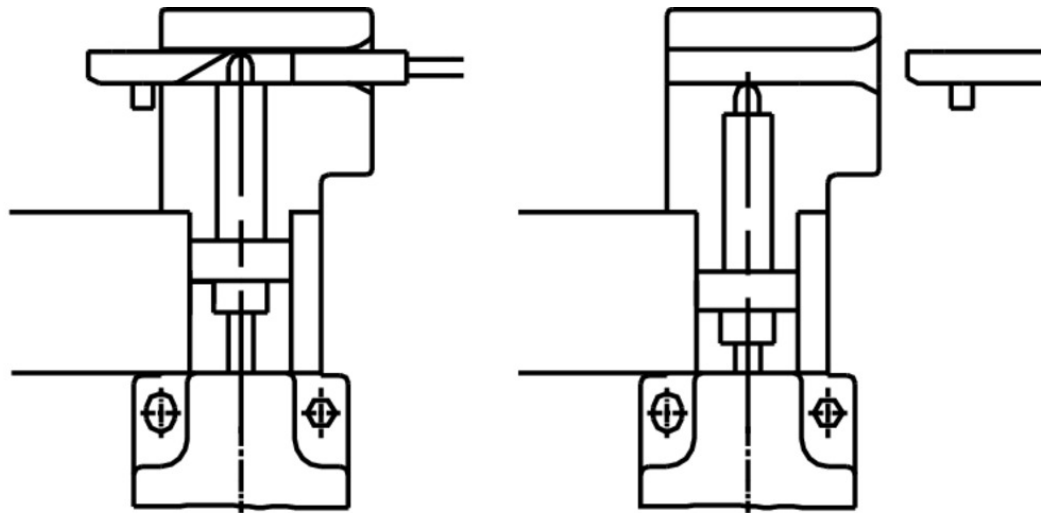
Overtravel	16 mm
------------	-------

[1] Red





## Switching functions



## Actuator

- Actuators for safety switches NZ.VZ, NZ.VZ.VS and TZ



### 097436 BETAETIGER-Z-GME

#### Features

- Made of solid stainless steel
- Two stainless safety screws per actuator



### 074411 BETAETIGER-Z-G/V25

#### Features

- Two stainless safety screws per actuator
- Packaging unit 25 pieces



### 072251 BETAETIGER-Z-GN

#### Features

- Two stainless safety screws per actuator



### 016849 BETAETIGER-Z-G

#### Features

- Two stainless safety screws per actuator

- Hinged actuator right for safety switches NZ.VZ, NZ.VZ.VS and TZ



**100406** RADIUSBETAETIGER-Z-R-C2194

✓ Features

- › Two stainless safety screws per actuator
- › Smaller door radii



**024299** RADIUSBETAETIGER-Z-R

✓ Features

- › Two stainless safety screws per actuator



**074412** RADIUSBETAETIGER-Z-R/V25

✓ Features

- › Two stainless safety screws per actuator
- › Packaging unit 25 pieces

✓ Hinged actuator left for safety switches NZ.VZ, NZ.VZ.VS and TZ



**100407** RADIUSBETAETIGER-Z-L-C2194

✓ Features

- › Two stainless safety screws per actuator
- › Smaller door radii



**024298** RADIUSBETAETIGER-Z-L

✓ Features

- › Two stainless safety screws per actuator



**074413** RADIUSBETAETIGER-Z-L/V25

✓ Features

- › Two stainless safety screws per actuator
- › Packaging unit 25 pieces

✓ Hinged actuator bottom for safety switches NZ.VZ, NZ.VZ.VS and TZ



**048850** RADIUSBETAETIGER-Z-U

✓ Features

- › Two stainless safety screws per actuator



**074414** RADIUSBETAETIGER-Z-U/V25

✓ Features

- › Two stainless safety screws per actuator
- › Packaging unit 25 pieces

✓ Hinged actuator top for safety switches NZ.VZ, NZ.VZ.VS and TZ



**057950** RADIUSBETAETIGER-Z-O

✓ Features

- › Two stainless safety screws per actuator

**074415** RADIUSBETAETIGER-Z-O/V25



- ✓ Features
    - › Two stainless safety screws per actuator
    - › Packaging unit 25 pieces
- 

## Bolt

---

- ✓ Bolt NZ-AF with escape release for safety switches NZ.VZ



### **078451** RIEGEL NZ-AF

- ✓ Features
    - › Steel bolt
    - › For doors hinged on the right
    - › Lever for escape release from the danger zone
    - › Detent knob in open position
    - › Can be locked in open position with padlocks
    - › Actuator and switch bracket included
- 

- ✓ Bolt NZ-C... for safety switches NZ.VZ and NZ.VZ.VS



### **078456** RIEGEL NZ-CR2

- ✓ Features
    - › Steel bolt
    - › For doors hinged on the left
    - › Detent knob in open position
    - › Detent knob mechanism in closed position
    - › Can be locked in open position with padlocks
    - › Actuator and switch bracket included
- 



### **083892** RIEGEL NZ-CB

- ✓ Features
    - › Steel bolt
    - › For doors hinged on the left
    - › Ball detent mechanism in closed position
    - › Can be locked in open position with padlocks
    - › Actuator and switch bracket included
- 

- ✓ Bolt NZ-A... for safety switches NZ.VZ and NZ.VZ.VS



### **078455** RIEGEL NZ-AR2

- ✓ Features
    - › Steel bolt
    - › For doors hinged on the right
    - › Detent knob in open position
    - › Detent knob in closed position
    - › Can be locked in open position with padlocks
    - › Actuator and switch bracket included
- 



### **083890** RIEGEL NZ-AB

- ✓ Features
  - › Steel bolt
  - › For doors hinged on the right



- › Ball detent mechanism in closed position
  - › Can be locked in open position with padlocks
  - › Actuator and switch bracket included
- 

▼ Bolt NZ-A for safety switches NZ.VZ and NZ.VZ.VS



**057734** RIEGEL NZ-A

▼ Features

- › Steel bolt
  - › For doors hinged on the right
  - › Can be locked in open position with padlocks
  - › Actuator and switch bracket included
  - › Bolt is not allowed to be used in conjunction with an escape release.
- 

▼ Bolt NZ-C for safety switches NZ.VZ and NZ.VZ.VS



**057735** RIEGEL NZ-C

▼ Features

- › Steel bolt
  - › For doors hinged on the left
  - › Can be locked in open position with padlocks
  - › Actuator and switch bracket included
- 

▼ Bolt BTC-NZVZ... with escape release for safety switches NZ.VZ and NZ.VZ.VS



**104399** BTC-NZVZ-S-TH-01-F

▼ Features

- › Die-cast aluminum bolt
  - › For left or right hinged doors
  - › Lever for escape release from the danger area
  - › Can be locked in open position with padlocks
  - › Actuator included
- 

▼ Bolt BTC-NZVZ... without escape release for safety switches NZ.VZ and NZ.VZ.VS



**104398** BTC-NZVZ-S-TH-00-X

▼ Features

- › Die-cast aluminum bolt
  - › For left or right hinged doors
  - › Can be locked in open position with padlocks
  - › Actuator included
- 

▼ Bolt NZ/TZ-ACF with escape release for safety switches NZ.VZ and TZ with escape release



**083900** RIEGEL NZ/TZ-ACF

▼ Features

- › Steel bolt
- › For doors hinged on the right or left
- › Lever for escape release from the danger area
- › Detent knob in open position
- › Can be locked in open position with padlocks
- › Bolt for two safety switches

- › Actuator included
- 

- ☑ Bolts NZ/TZ-S1/AF and NZ/TZ-S1/CF with escape release for safety switches NZ.VZ, NZ.VZ.VS and TZ with escape release



**079786** RIEGEL NZ/TZ-S1/AF

☑ Features

- › Aluminum bolt
  - › For doors hinged on the right
  - › Escape release
  - › Spring catch in open position
  - › Can be locked in open position with padlocks
  - › Actuator included
- 



**079785** RIEGEL NZ/TZ-S1/CF

☑ Features

- › Aluminum bolt
  - › For doors hinged on the left
  - › Escape release
  - › Spring catch in open position
  - › Can be locked in open position with padlocks
  - › Actuator included
- 

- ☑ Bolts NZ/TZ-S1 and NZ/TZ-S2 for safety switches NZ.VZ, NZ.VZ.VS and TZ



**028357** RIEGEL NZ/TZ-S1

☑ Features

- › Aluminum bolt
  - › For doors hinged on the left or right. Cone grip bottom.
  - › Spring catch in open position
  - › Can be locked in open position with padlocks
  - › Actuator included
- 



**028359** RIEGEL NZ/TZ-S2

☑ Features

- › Aluminum bolt
  - › For doors hinged on the left or right. Cone grip top.
  - › Spring catch in open position
  - › Can be locked in open position with padlocks
  - › Actuator included
- 

- ☑ Bolt NZ-CF with escape release for safety switches NZ.VZ



**078452** RIEGEL NZ-CF

☑ Features

- › Steel bolt
  - › For doors hinged on the left
  - › Lever for escape release from the danger zone
  - › Detent knob in open position
  - › Can be locked in open position with padlocks
  - › Actuator and switch bracket included
-

- ▼ Bolt NZ-GFK for safety switch NZ.VZ



**096617** RIEGEL NZ-GFK

▼ Features

- › Fiber glass reinforced plastic bolt
- › For doors hinged on the left or right
- › Can be locked in open position with padlocks
- › Actuator included

---

## Function expansion

- ▼ Lockout mechanism NZ.VZ/TZ, 3 holes



**091305** SPERREINSATZ MIT KETTE

▼ Features

- › Prevents unintentional closing of the door
- › Can be secured with padlocks



**046730** SPERREINSATZ-Z-046730

▼ Features

- › Prevents unintentional closing of the door
- › Can be secured with padlocks

- ▼ Lockout mechanism NZ.VZ/TZ, 5 holes

**086538** SPERREINSATZ-Z-086538

▼ Features

- › Prevents unintentional closing of the door
- › Can be secured with padlocks

- ▼ Protective plate NZ.VZ/TZ

**059136** SCHUTZBLECH NZ/TZ

- ▼ LED function display NZ



**029221** NGL060GR



**029220** NGL060RT

---

## Spare parts

- ▼ Replacement head NZ.VZ

**076250** BETAETIGUNGSKOPF NZVZ

---

## Mounting accessories

---

- ▼ Mounting plates EMP-B2 for actuators for safety switches CTP, TP...A, STA, STP, TX and TZ



**093458** EMP-B2

- 
- ▼ Mounting plates EMP-B1 for actuators for safety switches CTP, TP...A, STA, STP, TX and TZ



**093457** EMP-B1

- 
- ▼ Mounting plates EMP-SC for safety switches NM, NP...AS and NZ



**085753** EMP-SC

- ▼ Features

- › For vertical and horizontal mounting of safety switches NM, NP...AS and NZ

- 
- ▼ Safety screws M4 x 14

**074063** M4X14/V100

- ▼ Features

- › Safety screws M4 x 14
- › Packaging unit 100 pieces

- 
- ▼ Safety screws for actuators, M5 x 10

**073455** M5X10-NIRO/V100 NZ/TZ

- ▼ Features

- › Safety screws M5 x 10
- › Packaging unit 100 pieces

- 
- ▼ Safety screws for actuators, M5 x 16

**073456** M5X16/V100

- ▼ Features

- › Safety screws M5 x 16
- › Packaging unit 100 pieces

- 
- ▼ Safety screws M5 x 25

**073457** M5X25/V100

- ▼ Features

- › Safety screws M5 x 25
  - › Packaging unit 100 pieces
-

## Instructions

### ▼ Käyttöohje Turvakytkimet NZ.VZ

	Doc. no.	Version	Language	Download
Betriebsanleitung Sicherheitsschalter NZ.VZ Manual de instrucciones Interruptores de seguridad NZ.VZ Mode d'emploi Interrupteur de sécurité NZ.VZ Operating Instructions Safety Switch NZ.VZ	2094060	08-06/17	   	 1.6 MB
Käyttöohje Turvakytkimet NZ.VZ	2094060	08-06/17		 0.4 MB
Istruzioni di impiego Finecorsa di sicurezza NZ.VZ	2094060	08-06/17		 0.5 MB
Instrukcja obsługi Wyłącznik bezpieczeństwa NZ.VZ	2094060	08-06/17		 0.5 MB
Инструкция по эксплуатации Предохранительный выключатель NZ.VZ	2094060	08-06/17		 0.6 MB
Návod na prevádzku Bezpečnostný spínač NZ.VZ	2094060	08-06/17		 0.5 MB
Instruktionsbok Säkerhetsbrytare NZ.VZ	2094060	08-06/17		 0.5 MB

## Declaration of conformity

### ▼ EU prohlášení o shodě

	Doc. no.	Version	Language	Download
EU-Konformitätserklärung Declaración UE de conformidad Déclaration UE de conformité Dichiarazione di conformità EU declaration of conformity	2077153	25-02/17	    	 0.3 MB
EU prohlášení o shodě EU-overensstemmelseserklæring Δήλωση συμμόρφωσης της ΕΕ EU-vaatimustenmukaisuusvakuutus EU-típusbizonyítvány EU-conformiteitsverklaring Deklaracja zgodności UE Declaração de Conformidade UE Declarația de conformitate UE EÚ vyhlásenie o zhode	2077153	25-02/17	        	 0.5 MB

## CAD data

CAD data for this item on TraceParts