

ITEM 087218 N1AD508LE060-M

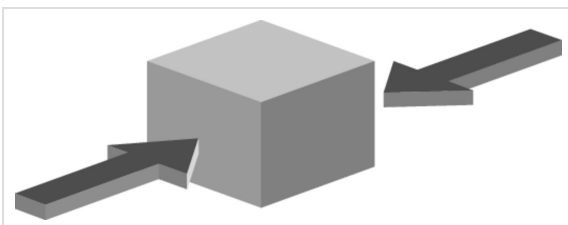
Description	Technical data	Accessories	Downloads
-------------	----------------	-------------	-----------



Features

- › Housing according to DIN 43693
- › LED indicator
- › Cable entry M16x1.5

Approach direction



- › Figure
Horizontal
Can be adjusted in 90° steps

LED function display

- A function display is available for the following voltage range:
- › AC/DC 12-60 V red

Switching element

508 Slow-action switching contact 1 NC ⊖

⚠ To achieve the positively driven travel, the dimension ①2.05 must be maintained by the trip dog. Actuating elements such as dog approach guides must be firmly mounted in accordance with EN ISO 14119, i.e. riveted, welded or otherwise secured against becoming loose.

Approvals



Mechanical values and environment

Design		Housing according to DIN 43693
Housing material		Anodized die-cast alloy
Weight		
	Net	0,25 kg
Ambient temperature		-25 ... 80 °C
Degree of protection		IP67
Mechanical life		30×10^6
Contact material		Silver alloy, gold flashed
Switching principle		Slow-action switching contact
Installation position		Any
Number of switching elements		1
Number of positively driven contacts		1
Connection		
	2 x	M16 x 1.5
Approach speed		
	max.	0,01 ... 40 m/min
Actuating element		Chisel plunger
Actuating force		min.15 N

Electrical connection ratings

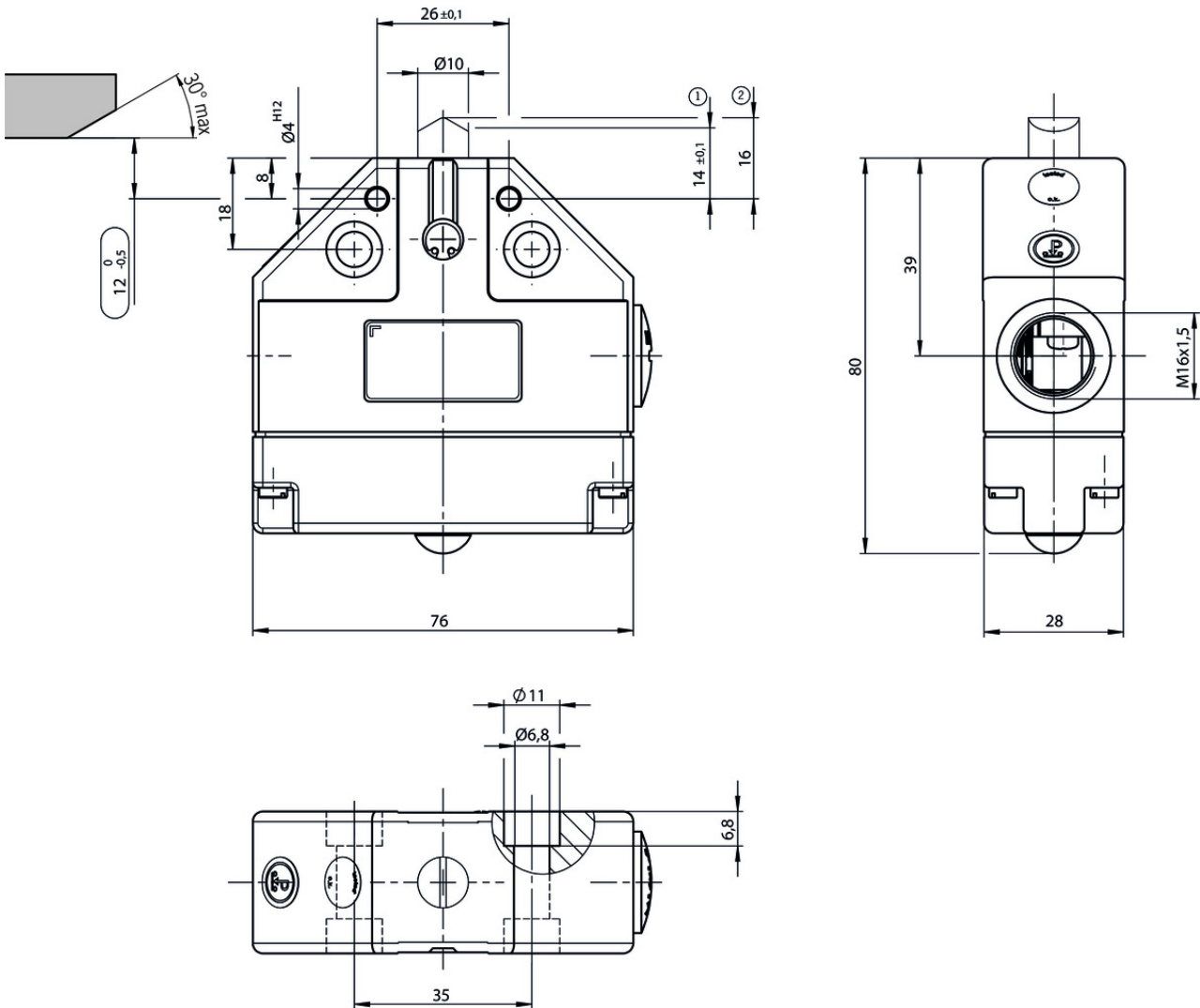
Rated thermal current I_{th}		10 A
Utilization category according to EN 60947-5-1		
	AC-15	6A 230V
	DC-13	6A 24V
Short circuit protection according to IEC 60269-1		
	(Fuse)	10A gG
Rated insulation voltage U_i		250 V
Rated impulse withstand voltage U_{imp}		4 kV

Switching current	Min. at DC 24V 10 mA
Connection cross-section	0,34 ... 1,5 mm ²
Display module	AC/DC 12 ... 60 V 60 V LED

Reliability values acc. to EN ISO 13849-1

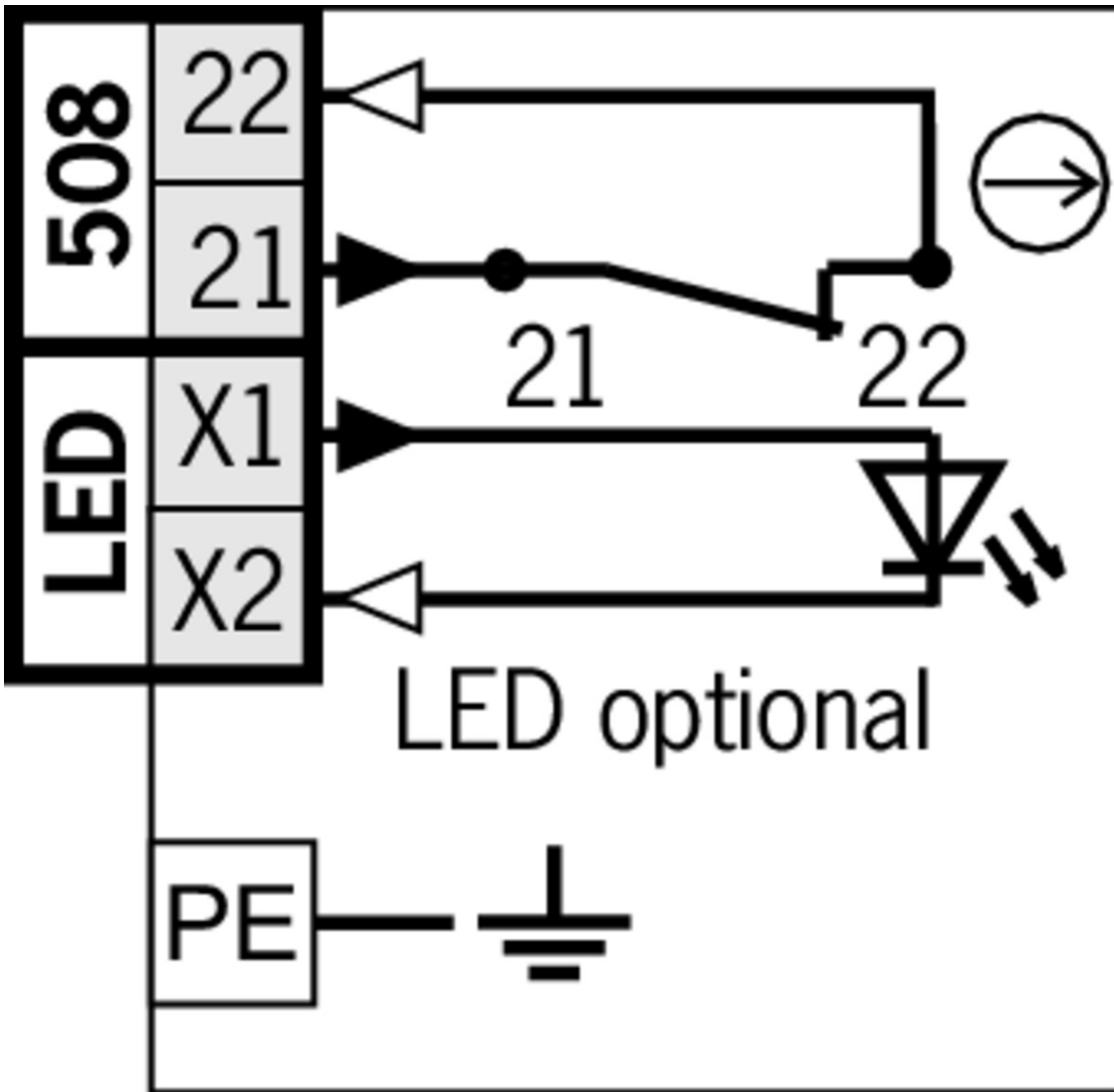
	Monitoring of the safety guard position
B10 _D	20 x 10 ⁶

Dimension drawing

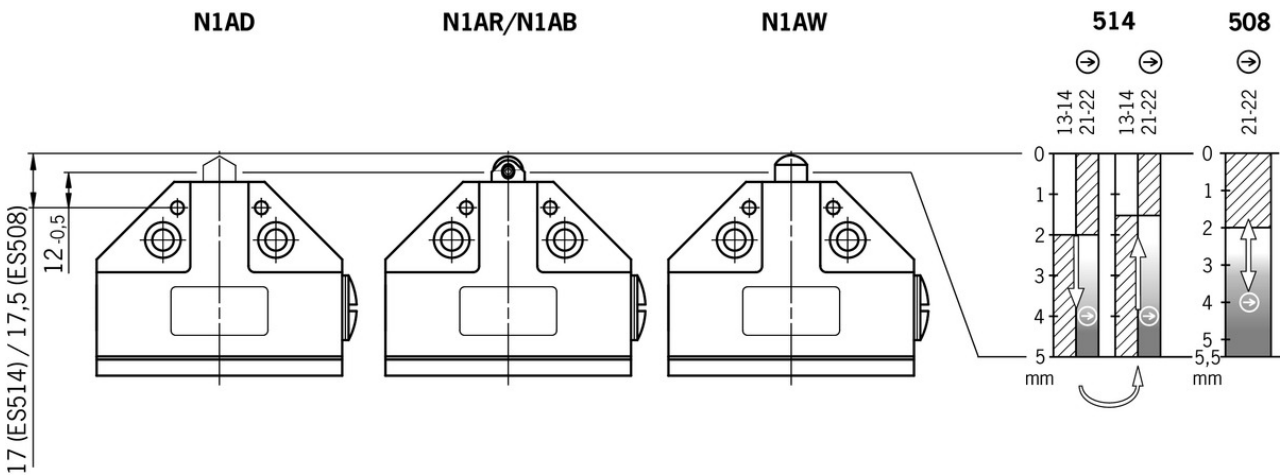


Legende




- 1 Operating point
- 2 Free position



Travel diagram



Legende

-  Contacts closed
-  Contacts open
-  Contacts positively driven

Connection material

▼ Cable glands M16x1.5



086328 EKVM16/04



086330 EKVM16/06



084572 EKPM16/05

Function expansion

▼ LED function display N1A

035495 LE060RT

Instructions











▼ Manual de instrucciones Finales de carrera unitarios de precisión N1A

	Doc. no.	Version	Language	Download
Betriebsanleitung Präzisions-Einzelgrenztaster N1A Operating Instructions Precision Single Limit Switches N1A	2032309	12-01/18	 	0.8 MB
Mode d'emploi Monopistes de précision N1A	2032309	12-01/18		0.4 MB
Manual de instrucciones Finales de carrera unitarios de precisión N1A	2032309	12-01/18		0.4 MB
Istruzioni di impiego Finecorsa di precisione singoli N1A	2032309	12-01/18		0.4 MB

Declaration of conformity

▼ EU prohlášení o shodě

	Doc. no.	Version	Language	Download
EU-Konformitätserklärung Declaración UE de conformidad Déclaration UE de conformité Dichiarazione di conformità EU declaration of conformity	2077153	25-02/17	 	0.3 MB

EU prohlášení o shodě	2077153	25-02/17		 0.5 MB
EU-overensstemmelseserklæring				
Δήλωση συμμόρφωσης της ΕΕ				
EU-vaatimustenmukaisuusvakuutus				
EU-típusbizonyítvány				
EU-conformiteitsverklaring				
Deklaracja zgodności UE				
Declaração de Conformidade UE				
Declarația de conformitate UE				
EÚ vyhlásenie o zhode				

CAD data

CAD data for this item on TraceParts