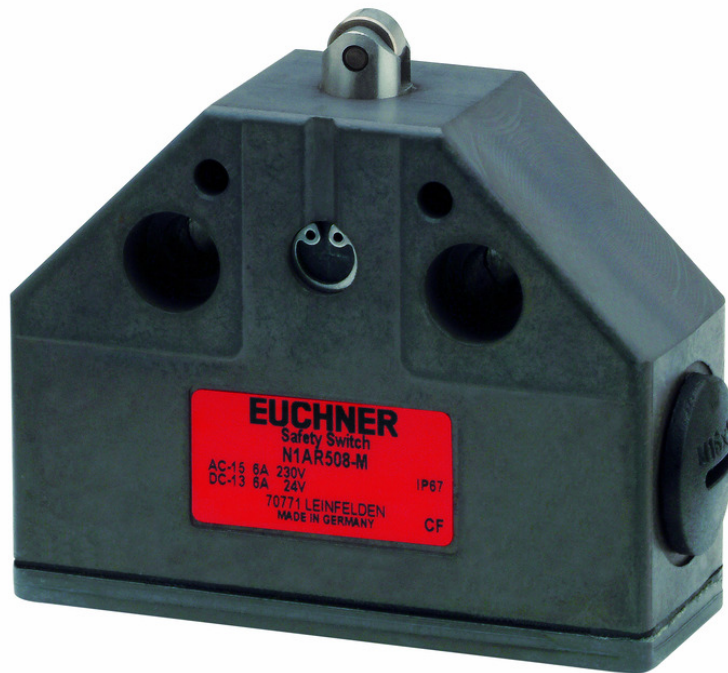


## ITEM 087245 N1AB508-M

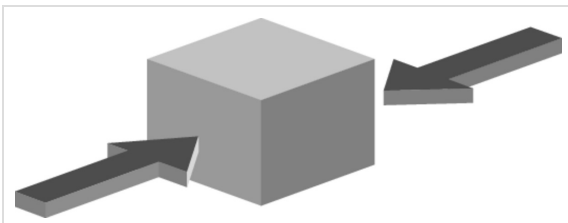
Description	Technical data	Accessories	Downloads
-------------	----------------	-------------	-----------



### Features

- › Housing according to DIN 43693
- › Steel roller  $\varnothing$  8 mm
- › Ball bearing
- › Cable entry M16x1.5

### Approach direction



- › Figure  
Horizontal  
Can be adjusted in 90° steps

### Ball bearing

For high approach speeds and long travel distances.

## Switching element

**508** Slow-action switching contact 1 NC ⊖

⚠ To achieve the positively driven travel, the dimension  $\text{\textcircled{12.05}}$  must be maintained by the trip dog. Actuating elements such as dog approach guides must be firmly mounted in accordance with EN ISO 14119, i.e. riveted, welded or otherwise secured against becoming loose.

## Approvals



## Mechanical values and environment

Design	Housing according to DIN 43693
Housing material	Anodized die-cast alloy
Weight	
	Net 0,25 kg
Ambient temperature	-25 ... 80 °C
Degree of protection	IP67
Mechanical life	$30 \times 10^6$
Contact material	Silver alloy, gold flashed
Switching principle	Slow-action switching contact
Installation position	Any
Number of switching elements	1
Number of positively driven contacts	1
Connection	
	2 x M16 x 1.5
Approach speed	
	max. 0,01 ... 120 m/min
Actuating element	Roller plunger <sup>[1]</sup>
Roller diameter	8 mm
Actuating force	min.15 N

## Electrical connection ratings

Rated thermal current $I_{th}$	10 A
Utilization category according to EN 60947-5-1	
	AC-15 6A 230V
	DC-13 6A 24V
Short circuit protection according to IEC 60269-1	
	(Fuse) 10A gG
Rated insulation voltage $U_j$	250 V

Rated impulse withstand voltage $U_{imp}$	4 kV
Switching current	
Min. at DC 24V	10 mA
Connection cross-section	0,34 ... 1,5 mm <sup>2</sup>

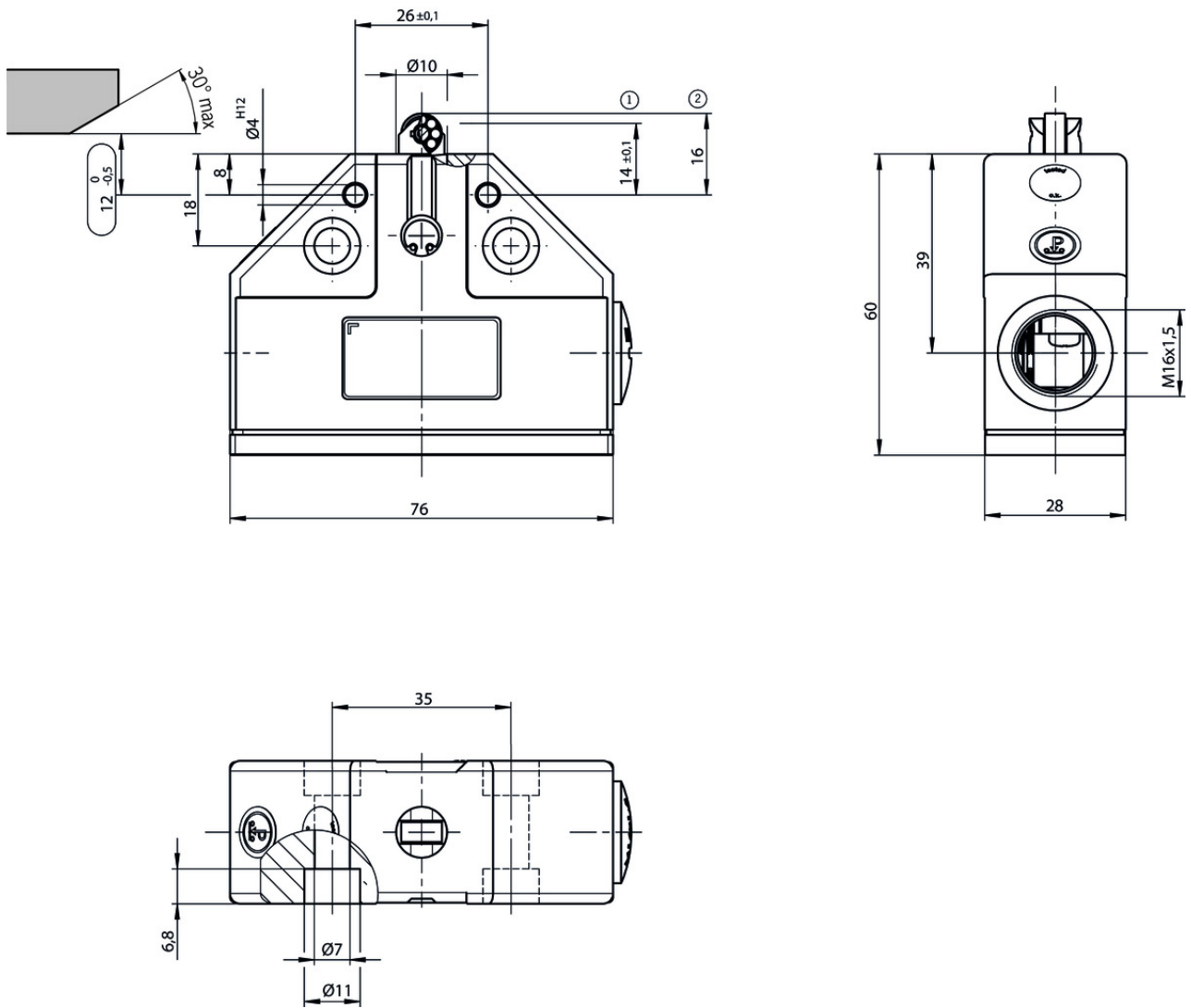
### Reliability values acc. to EN ISO 13849-1

	Monitoring of the safety guard position
B10 <sub>D</sub>	20 x 10 <sup>6</sup>

---

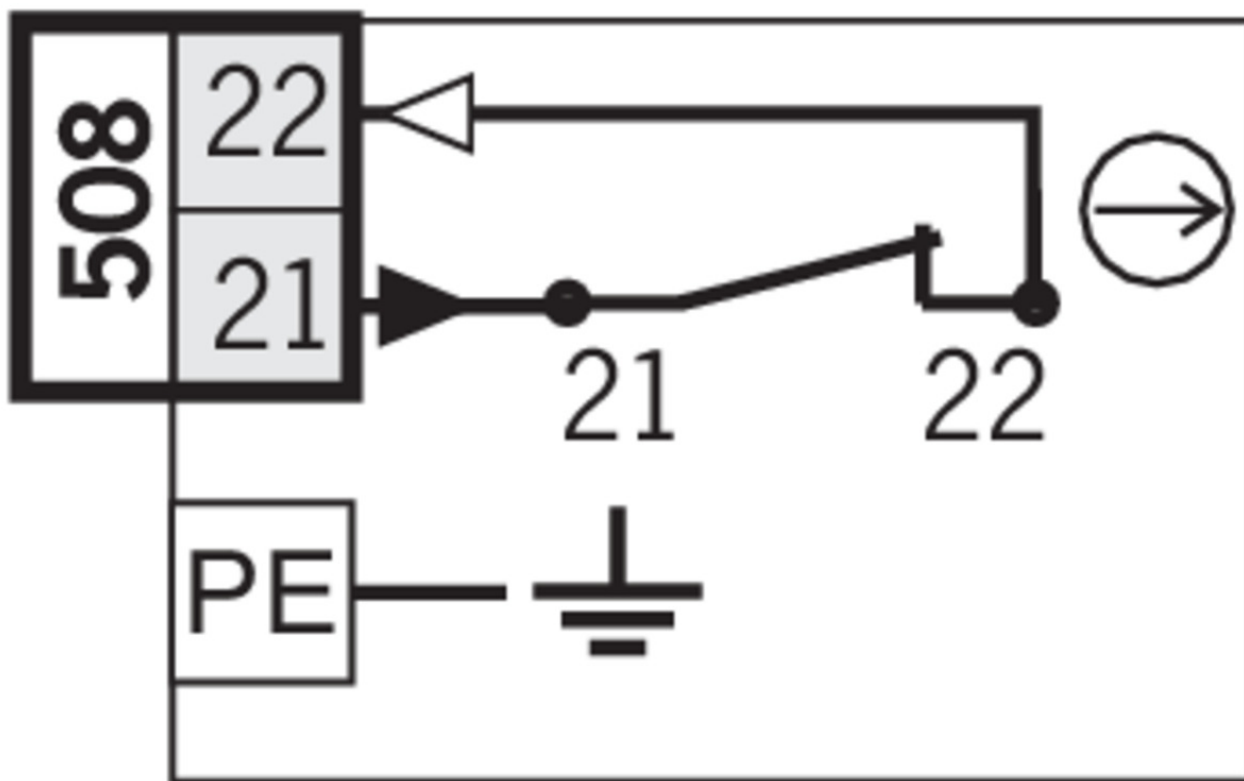
[1] Ball bearing

## Dimension drawing

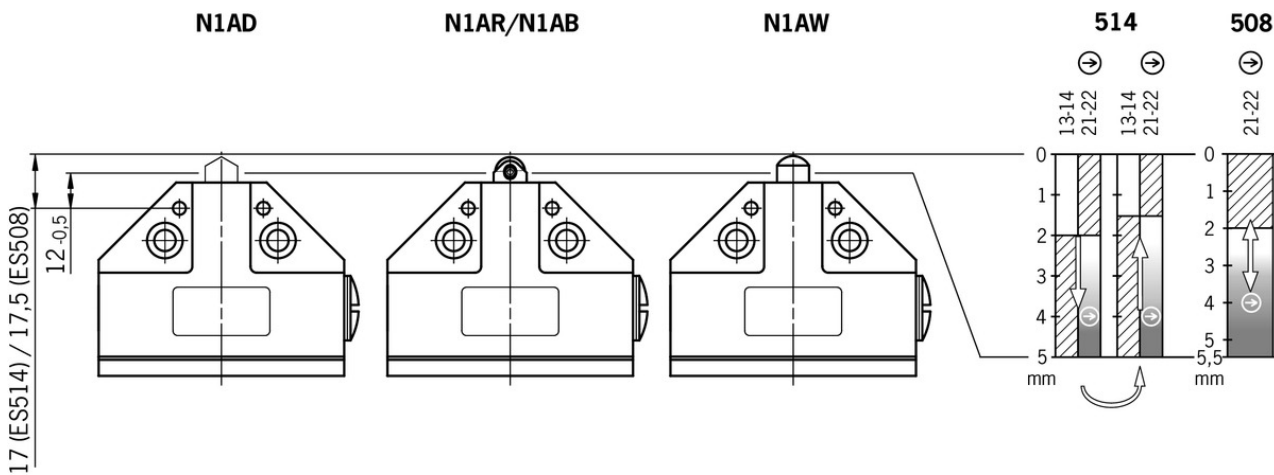


## Legende

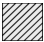


- 1 Operating point
- 2 Free position



**Travel diagram**



**Legende**

-  Contacts closed
-  Contacts open
-  Contacts positively driven

▼ Cable glands M16x1.5



**086328** EKVM16/04



**086330** EKVM16/06



**084572** EKPM16/05

## Instructions

▼ Manual de instrucciones Finales de carrera unitarios de precisión N1A

	Doc. no.	Version	Language	Download
Betriebsanleitung Präzisions-Einzelgrenztaster N1A Operating Instructions Precision Single Limit Switches N1A	2032309	12-01/18	 	0.8 MB
Mode d'emploi Monopistes de précision N1A	2032309	12-01/18		0.4 MB
Manual de instrucciones Finales de carrera unitarios de precisión N1A	2032309	12-01/18		0.4 MB
Istruzioni di impiego Finecorsa di precisione singoli N1A	2032309	12-01/18		0.4 MB

## Catalogs

▼ Sicherheitsschalter mit Metallgehäuse Safety Switches with Metal Housing Bezpečnostní spínače s kovovým pouzdrém Interrupteurs de sécurité avec boîtier métallique 金属壳体的安全开关 Interruptores de seguridad con carcasa metálica

	Doc. no.	Version	Language	Download
Sicherheitsschalter mit Metallgehäuse	100319	11-03/18		7.9 MB
Interrupteurs de sécurité avec boîtier métallique	100676	11-03/18		7.9 MB
Interruptores de seguridad con carcasa metálica	104856	11-03/18		14.0 MB
Safety Switches with Metal Housing	100369	11-03/18		7.9 MB
Bezpečnostní spínače s kovovým pouzdrém	121650	11-03/18		7.9 MB
金属壳体的安全开关	102453	11-03/18		8.2 MB

## Declaration of conformity

▼ EU prohlášení o shodě

Doc. no.	Version	Language	Download
----------	---------	----------	----------

EU-Konformitätserklärung	2077153	25-02/17		 0.3 MB
Declaración UE de conformidad				
Déclaration UE de conformité				
Dichiarazione di conformità				
EU declaration of conformity				
EU prohlášení o shodě	2077153	25-02/17		 0.5 MB
EU-overensstemmelseserklæring				
Δήλωση συμμόρφωσης της ΕΕ				
EU-vaatimustenmukaisuusvakuutus				
EU-típusbizonyítvány				
EU-conformiteitsverklaring				
Deklaracja zgodności UE				
Declaração de Conformidade UE				
Declarația de conformitate UE				
EÚ vyhlásenie o zhode				

### CAD data

CAD data for this item on TraceParts