

ITEM 090037 NZ1HS-511L220-M

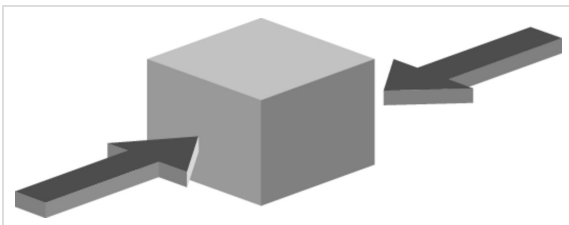
Description	Technical data	Accessories	Downloads
-------------	----------------	-------------	-----------



Features

- › Version A according to EN 50041(steel roller \varnothing 18 mm)
- › Cable entry M20 x 1.5
- › LED indicator

Approach direction



- › Figure
Horizontal

Switching direction

- › Right, left or both sides

LED function display

A function display is available for the following voltage range:

- › AC 230 V $\pm 15\%$ red

Switching element

511 Snap-action switching contact 1 NC \rightarrow + 1 NO

Approvals



Mechanical values and environment

Housing material	Anodized die-cast alloy
Weight	
Net	0,3 kg
Ambient temperature	-25 ... 80 °C
Degree of protection	IP67
Mechanical life	30×10^6
Contact material	Silver alloy, gold flashed
Switching principle	Snap-action switching contact ^[1]
Installation position	Any
Number of door position positively driven contacts	1
Number of NO contacts	1
Connection	
1 x	M20 x 1.5
Approach speed	
max.	0,1 ... 60 m/min
Actuating element	
Plain bearing metal	Lever arm ^[2]
Actuating force	min.15 N

Electrical connection ratings

Rated thermal current I_{th}	6 A
Utilization category according to EN 60947-5-1	
AC-15	6A 230V
DC-13	6A 24V
AC-12	10A 230V
Short circuit protection according to IEC 60269-1	
(Fuse)	6A gG
Rated insulation voltage U_j	250 V

Rated impulse withstand voltage U_{imp}	2,5 kV
Switching current	
Min. at DC 24V	10 mA
Connection cross-section	0,34 ... 0,75 mm ²
Display module	
	AC 230 V 15% ... 15% LED red

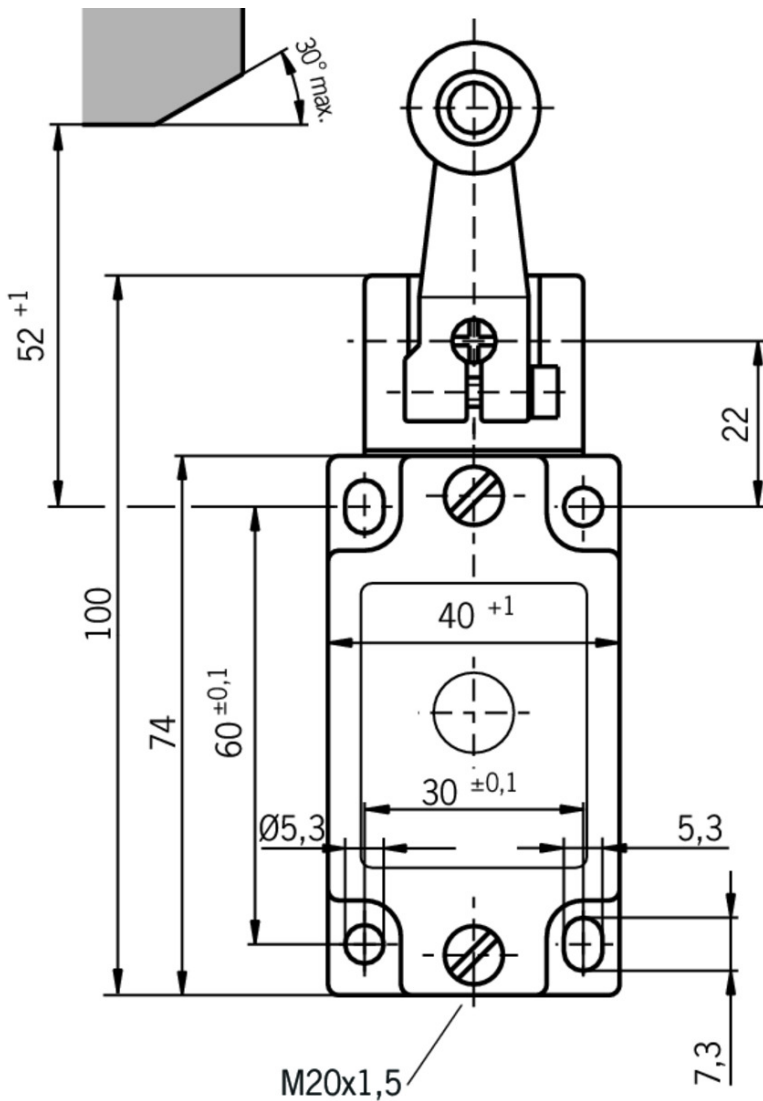
Reliability values acc. to EN ISO 13849-1

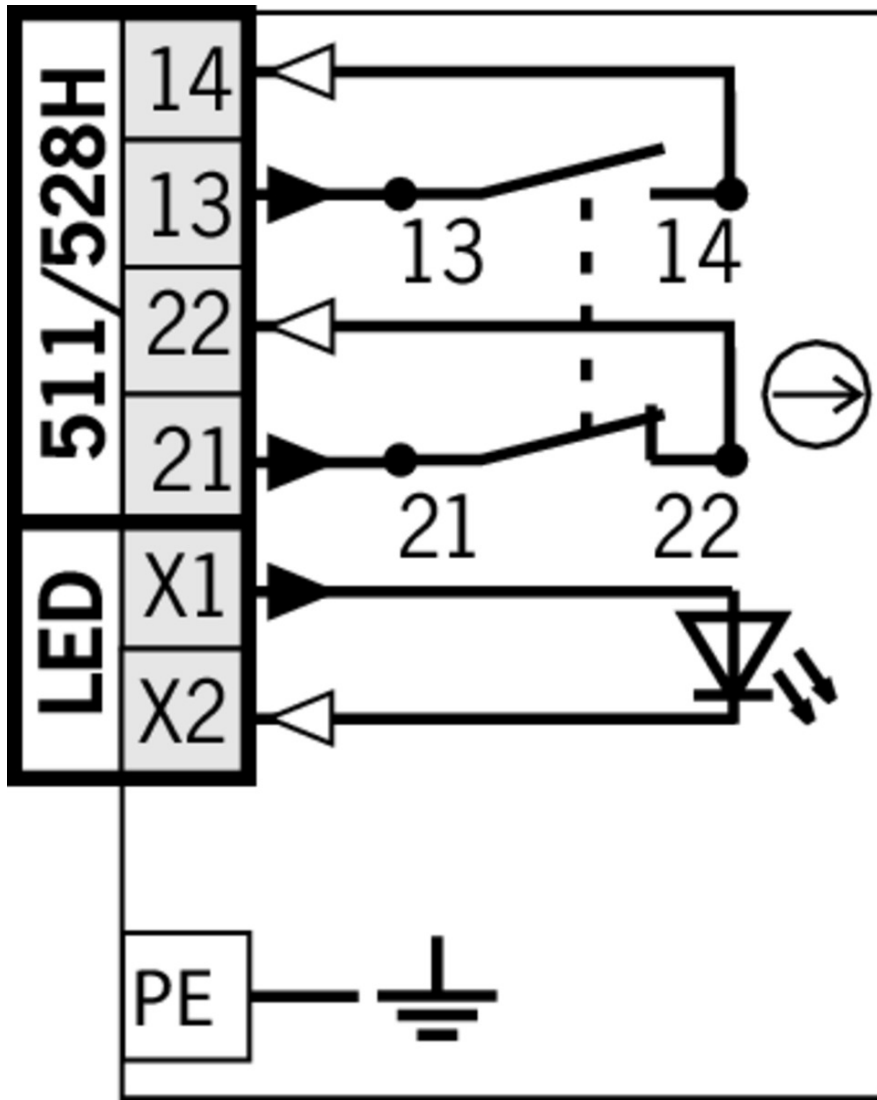
	Monitoring of the safety guard position
B10 _D	20×10^6

[1] Contact closing time <4 contact bounce time <3

[2] d roller = 18 mm, length 32 mm

Dimension drawing

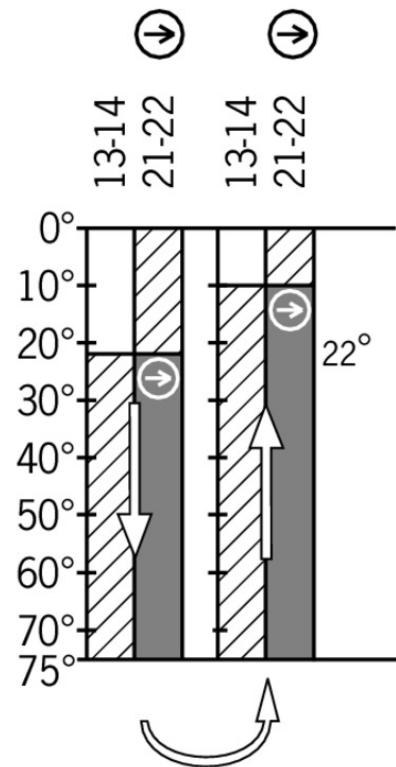
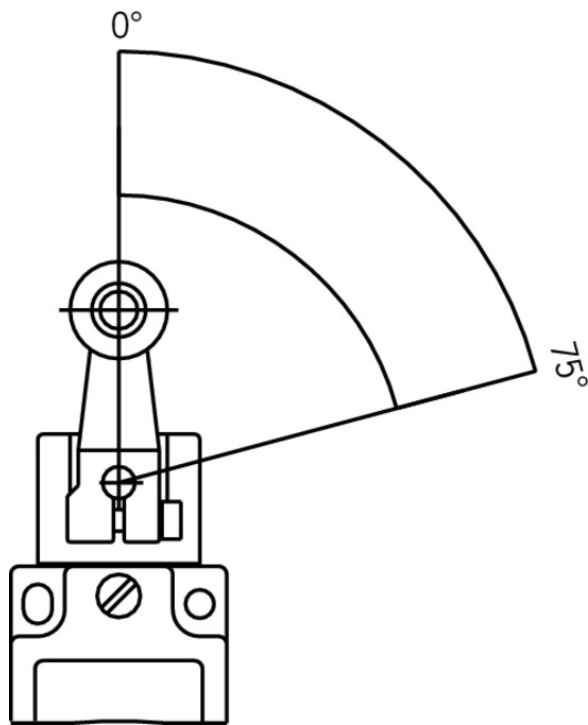







Travel diagram

NZ...HS
NZ...HB

511



Legende

-  Contacts closed
-  Contacts open
-  Contacts positively driven

Spare parts

-  Lever arm with steel roller



012043 NHS ROLLENHEBEL

-  Features

› Steel roller Ø18mm

Connection material

-  Cable glands M20x1.5



077684 EKVM20/09



077683 EKVM20/06

Instructions

▼ Betriebsanleitung Sicherheitsschalter NZ.H/P

	Doc. no.	Version	Language	Download
Betriebsanleitung Sicherheitsschalter NZ.H/P Manual de instrucciones Interruptores de seguridad NZ.H/P Mode d'emploi Interrupteur de sécurité NZ.H/P Istruzioni di impiego Finecorsa di sicurezza NZ.H/P Operating Instructions Safety Switch NZ.H/P	074550	11-12/16	 	2.1 MB
Instrukcja obsługi Wyłącznik bezpieczeństwa NZ.H/P	074550	11-12/16		0.5 MB
Инструкция по эксплуатации Предохранительный выключатель NZ.H/P	074550	11-12/16		0.6 MB
Návod na prevádzku Bezpečnostný spínač NZ.H/P	074550	11-12/16		0.5 MB

Declaration of conformity

▼ EU prohlášení o shodě

	Doc. no.	Version	Language	Download
EU-Konformitätserklärung Declaración UE de conformidad Déclaration UE de conformité Dichiarazione di conformità EU declaration of conformity	2077153	25-02/17	 	0.3 MB
EU prohlášení o shodě EU-overensstemmelseserklæring Δήλωση συμμόρφωσης της ΕΕ EU-vaatimustenmukaisuusvakuutus EU-típusbizonyítvány EU-conformiteitsverklaring Deklaracja zgodności UE Declaração de Conformidade UE Declarația de conformitate UE EÚ vyhlásenie o zhode	2077153	25-02/17	 	0.5 MB

CAD data

CAD data for this item on TraceParts