

## ITEM 090867 NZ2HS-511SVM5

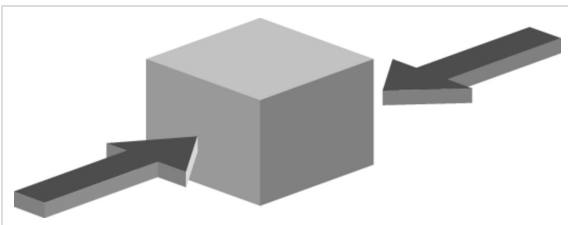
Description	Technical data	Accessories	Downloads
-------------	----------------	-------------	-----------



### Features

- › Version A according to EN 50041(steel roller  $\varnothing$  18 mm)
- › Plug connector SVM5

### Approach direction



- › Figure  
Horizontal

### Switching direction

- › Right, left or both sides

### Switching element

## Approvals



## Mechanical values and environment

Housing material	Anodized die-cast alloy
Weight	Net 0,3 kg
Ambient temperature	-25 ... 80 °C
Degree of protection	IP67
Mechanical life	30 x 10 <sup>6</sup>
Contact material	Silver alloy, gold flashed
Switching principle	Snap-action switching contact <sup>[1]</sup>
Installation position	Any
Number of door position positively driven contacts	1
Number of NO contacts	1
Connection	1 x Plug connector M12 <sup>[2]</sup>
Approach speed	max. 0,1 ... 60 m/min
Actuating element	Plain bearing metal Lever arm <sup>[3]</sup>
Actuating force	min.15 N

## Electrical connection ratings

Rated thermal current I <sub>th</sub>	4 A
Utilization category according to EN 60947-5-1	AC-15 4A 30V DC-13 4A 24V
Short circuit protection according to IEC 60269-1	(Fuse) 4A gG
Rated insulation voltage U <sub>i</sub>	50 V
Rated impulse withstand voltage U <sub>imp</sub>	1,5 kV
Switching current	Min. at DC 24V 10 mA

## Reliability values acc. to EN ISO 13849-1

## Monitoring of the safety guard position

B10D

$20 \times 10^6$

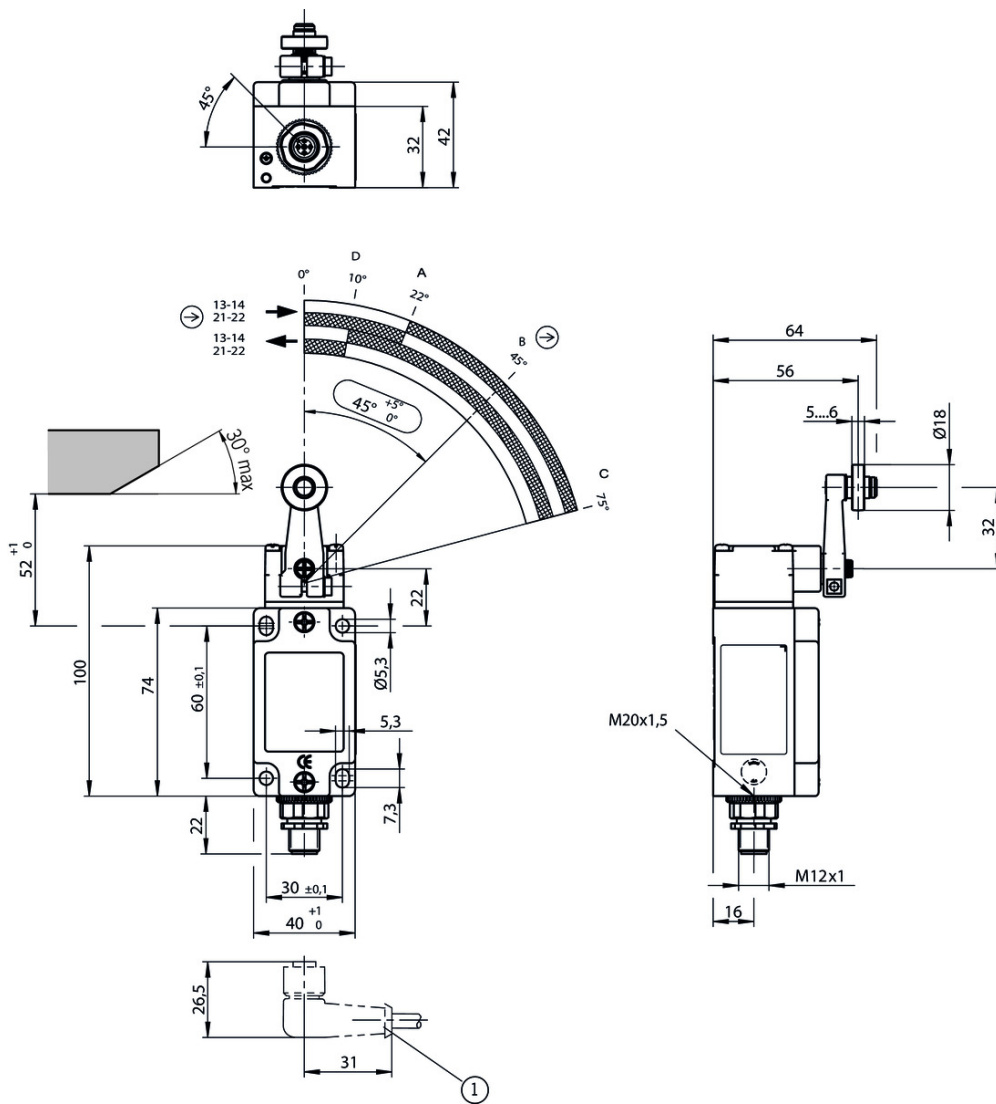
---

[1] Contact closing time <4 contact bounce time <3

[2] 5-pin

[3] d roller = 18 mm, length 32 mm

## Dimension drawing



## Legende

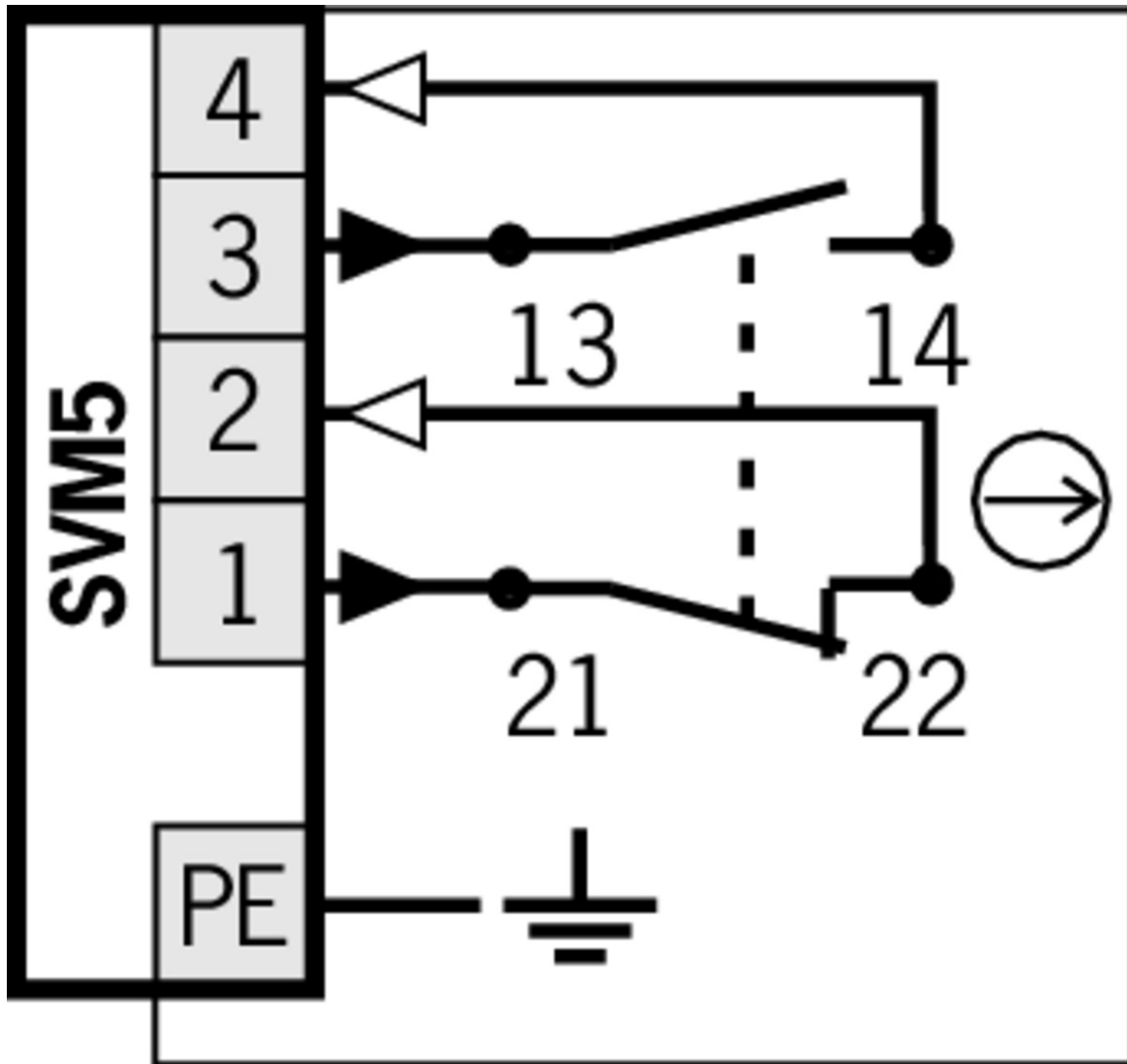
A =Operating point

B =Positively driven

C =End position

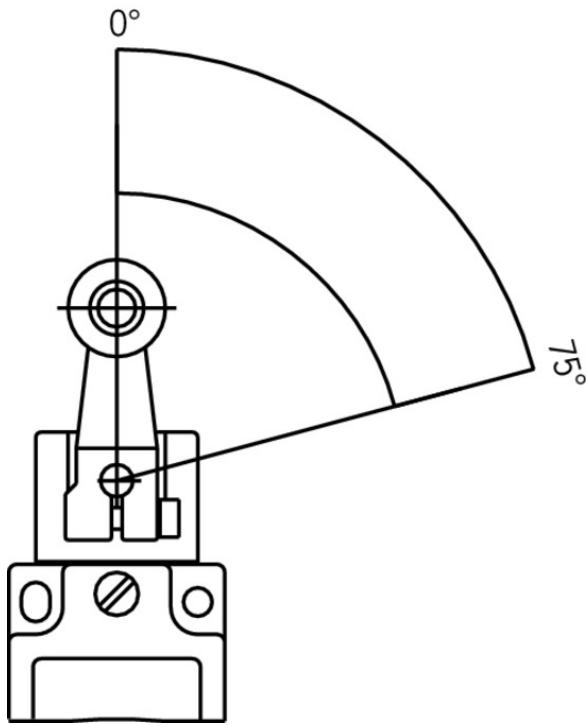
D =Reset point

1 Right-angle plug connector: Cable outlet adjustable max. 270°.Default setting for cable outlet to the right.

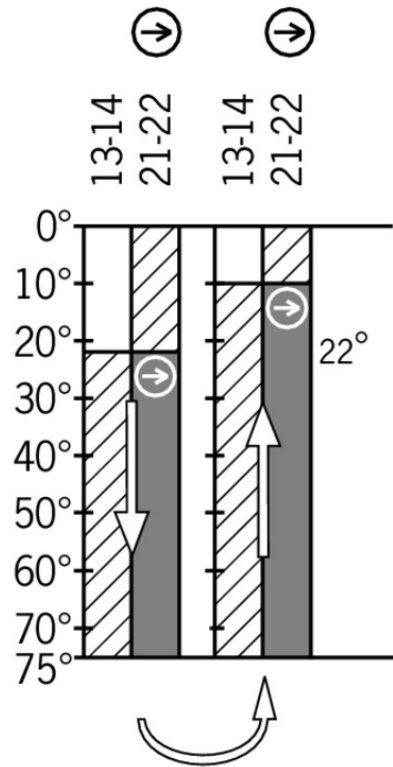


## Travel diagram




**NZ...HS**  
**NZ...HB**



**511**



## Legende

-  Contacts closed
-  Contacts open
-  Contacts positively driven

## Connection material


-  Connection cable with straight plug connector M12, 5-pin, 5m



**073461** C-M12F05-05X050PU05,0-GA-073461

### Features

- › M12 female plug, 4-pin + PE
- › Straight plug connector
- › PUR cable
- › Halogen-free
- › Cable length 5 m
- › With flying lead
- › Cores color-coded

-  Connection cable with angled plug connector M12, 5-pin, 5m



## 073462 C-M12F05-05X050PU05,0-GA-073462

### Features

- › M12 female plug, 4-pin + PE
- › Angled plug connector
- › PUR cable
- › Halogen-free
- › Cable length 5 m
- › With flying lead
- › Cores color-coded

## Spare parts

### Lever arm with steel roller



## 012043 NHS ROLLENHEBEL

### Features

- › Steel roller Ø18mm

## Instructions





### Betriebsanleitung Sicherheitsschalter NZ.H/P

	Doc. no.	Version	Language	Download
Betriebsanleitung Sicherheitsschalter NZ.H/P	074550	11-12/16		2.1 MB
Manual de instrucciones Interruptores de seguridad NZ.H/P				
Mode d'emploi Interrupteur de sécurité NZ.H/P				
Istruzioni di impiego Finecorsa di sicurezza NZ.H/P				
Operating Instructions Safety Switch NZ.H/P				
Instrukcja obsługi Wyłącznik bezpieczeństwa NZ.H/P	074550	11-12/16		0.5 MB
Инструкция по эксплуатации Предохранительный выключатель NZ.H/P	074550	11-12/16		0.6 MB
Návod na prevádzku Bezpečnostný spínač NZ.H/P	074550	11-12/16		0.5 MB


## Catalogs

### Sicherheitsschalter mit Metallgehäuse Safety Switches with Metal Housing Bezpečnostní spínače s kovovým pouzdem Interrupteurs de sécurité avec boîtier métallique 金属壳体 的安全开关 Interruptores de seguridad con carcasa metálica

	Doc. no.	Version	Language	Download
Sicherheitsschalter mit Metallgehäuse	100319	11-03/18		7.9 MB
Interrupteurs de sécurité avec boîtier métallique	100676	11-03/18		7.9 MB
Interruptores de seguridad con carcasa metálica	104856	11-03/18		14.0 MB
Safety Switches with Metal Housing	100369	11-03/18		7.9 MB

Bezpečnostní spínače s kovovým pouzdrém	121650	11-03/18		 7.9 MB
金属壳体 的安全开关	102453	11-03/18		 8.2 MB

## Declaration of conformity

 EU prohlášení o shodě

	Doc. no.	Version	Language	Download
EU-Konformitätserklärung	2077153	25-02/17		 0.3 MB
Declaración UE de conformidad				
Déclaration UE de conformité				
Dichiarazione di conformità				
EU declaration of conformity				
EU prohlášení o shodě	2077153	25-02/17		 0.5 MB
EU-overensstemmelseserklæring				
Δήλωση συμμόρφωσης της ΕΕ				
EU-vaatimustenmukaisuusvakuutus				
EU-típusbizonyítvány				
EU-conformiteitsverklaring				
Deklaracja zgodności UE				
Declaração de Conformidade UE				
Declarația de conformitate UE				
EÚ vyhlásenie o zhode				

## CAD data

CAD data for this item on TraceParts