

**ITEM 090877 NZ1PS-3131-M**

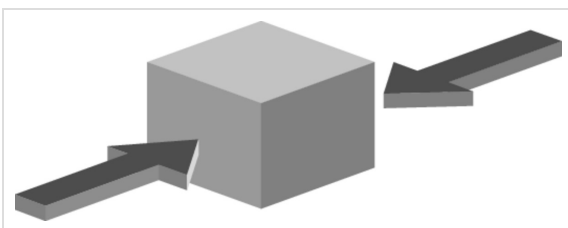
| Description | Technical data | Accessories | Downloads |
|-------------|----------------|-------------|-----------|
|-------------|----------------|-------------|-----------|



**Features**

- › Steel roller  $\varnothing$  18 mm
- › Cable entry M20 x 1.5

**Approach direction**



› Figure  
Horizontal

**Switching direction**

Right, left or both sides

**Lever arm adjustment**

Lever arm length can be adjusted from 28 mm to 78 mm in steps of 12.5 mm.

## Switching element

**3131H** Slow-action switching contact 2 NC $\ominus$  + 2 NO

## Approvals



## Mechanical values and environment

|  |   |
|--|---|
| Housing material                                   | Anodized die-cast alloy                                 |
| Weight   | Net 0,3 kg  |
| Ambient temperature                                | -25 ... 80 °C   |
| Degree of protection                               | IP67  |
| Mechanical life                                    | 30 x 10 <sup>6</sup>                                    |
| Contact material                                   | Silver alloy, gold flashed                              |
| Switching principle                                | Slow-action switching contact                           |
| Installation position                              | Any   |
| Number of door position positively driven contacts | 2   |
| Number of NO contacts                              | 2   |
| Connection   | 1 x M20 x 1.5   |
| Approach speed                                     | max. 0,5 ... 30 m/min                                   |
| Actuating element                                  | Plain bearing metal Lever arm adjustable <sup>[1]</sup> |
| Actuating force                                    | min.15 N  |

## Electrical connection ratings

|   |                               |
|---|-------------------------------|
| Rated thermal current I <sub>th</sub>             | 4 A                           |
| Utilization category according to EN 60947-5-1    | AC-15 4A 230V<br>DC-13 4A 24V |
| Short circuit protection according to IEC 60269-1 | (Fuse) 4A gG                  |
| Rated insulation voltage U <sub>i</sub>           | 250 V                         |
| Rated impulse withstand voltage U <sub>imp</sub>  | 2,5 kV                        |
| Switching current                                 |                               |

Min. at DC 24V 1 mA

Connection cross-section

0,34 ... 1,5 mm<sup>2</sup>

### Reliability values acc. to EN ISO 13849-1

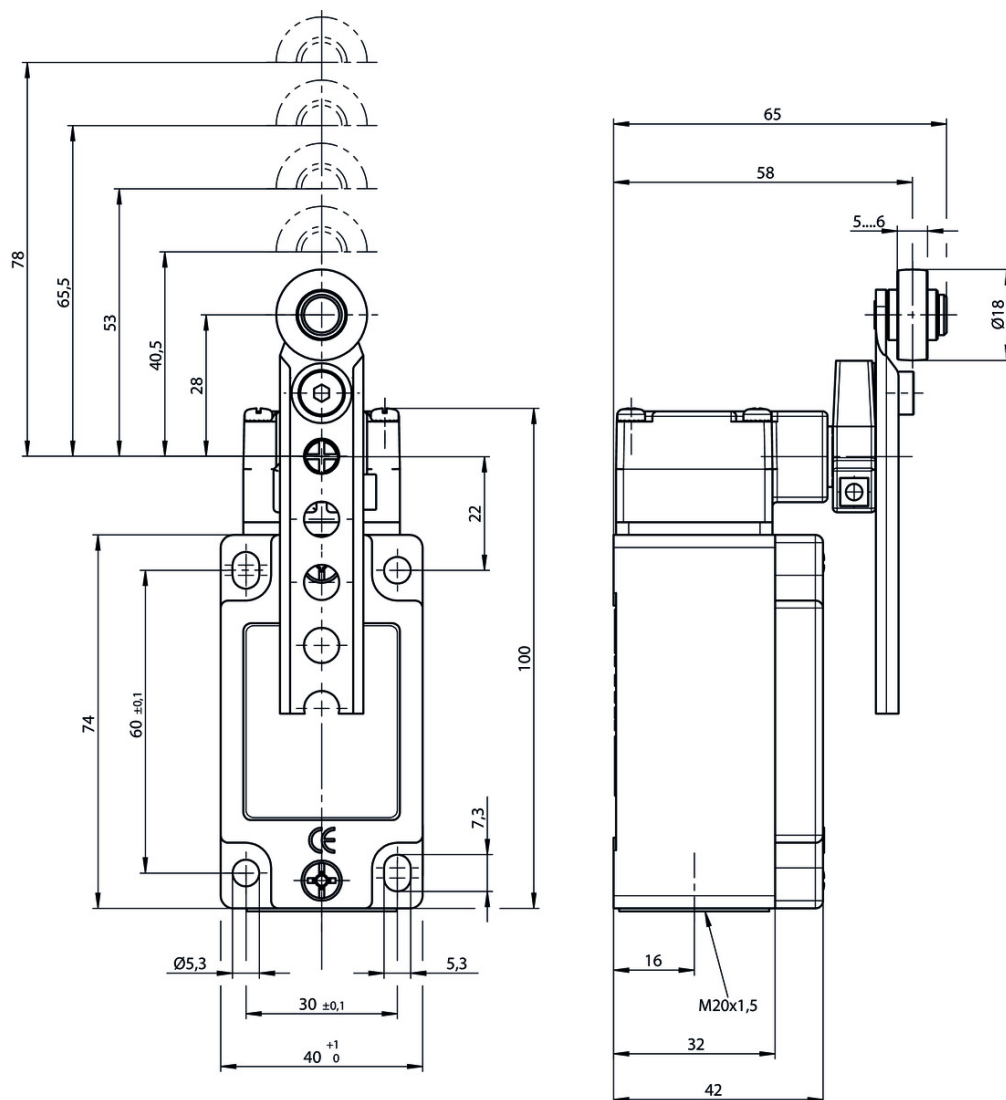
B10<sub>D</sub>

Monitoring of the safety guard position

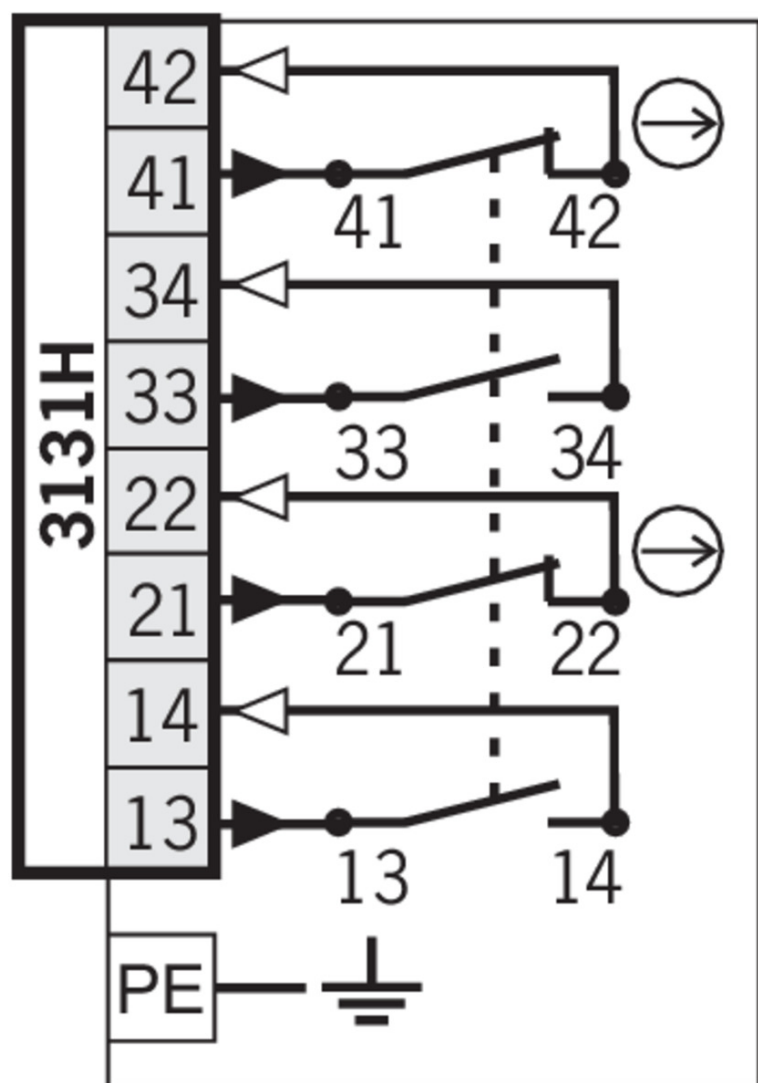
20 x 10<sup>6</sup>

[1] d roller = 18 mm, length 28 - 78 mm

### Dimension drawing



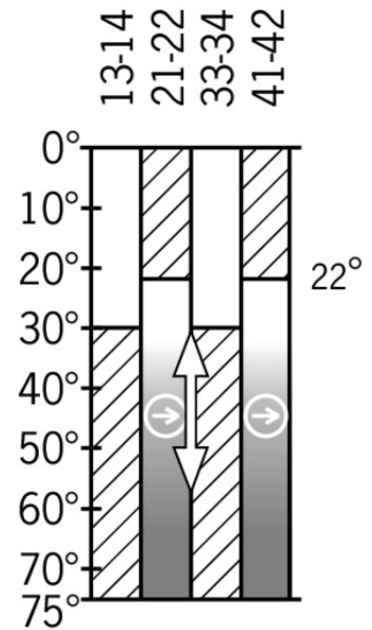
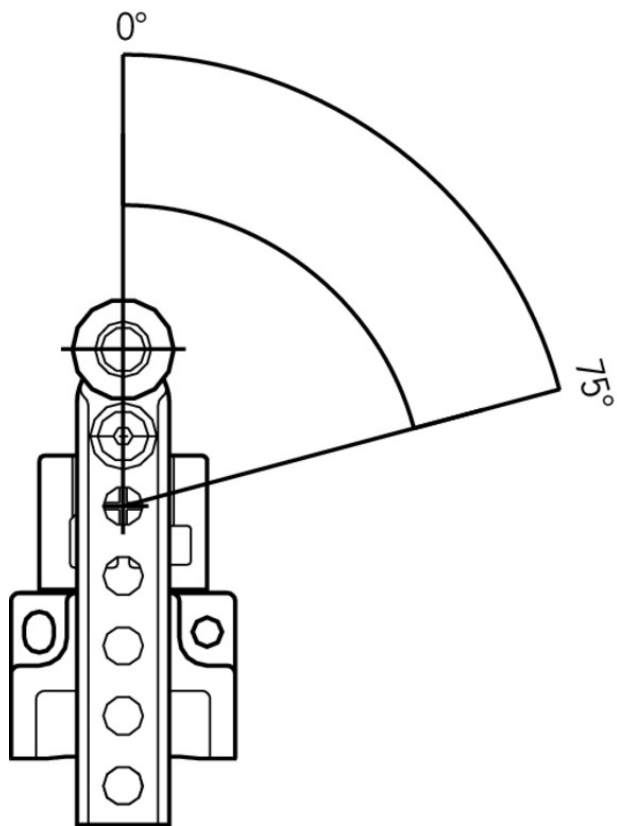
3131H






## Travel diagram

**NZ...PS**  
**NZ...PB**

**3131H**



## Legende

-  Contacts closed
-  Contacts open
-  Contacts positively driven

## Connection material

-  Cable glands M20x1.5



**077684** EKVM20/09



**077683** EKVM20/06

## Instructions

### ▼ Betriebsanleitung Sicherheitsschalter NZ.H/P

|   | Doc. no. | Version  | Language         | Download |
|---|----------|----------|------------------|----------|
| Betriebsanleitung Sicherheitsschalter NZ.H/P<br>Manual de instrucciones Interruptores de seguridad NZ.H/P<br>Mode d'emploi Interrupteur de sécurité NZ.H/P<br>Istruzioni di impiego Fincorsa di sicurezza NZ.H/P<br>Operating Instructions Safety Switch NZ.H/P | 074550   | 11-12/16 | <br><br><br><br> | 2.1 MB   |
| Instrukcja obsługi Wyłącznik bezpieczeństwa NZ.H/P  | 074550   | 11-12/16 |                  | 0.5 MB   |
| Инструкция по эксплуатации<br>Предохранительный выключатель NZ.H/P  | 074550   | 11-12/16 |                  | 0.6 MB   |
| Návod na prevádzku Bezpečnostný spínač NZ.H/P   | 074550   | 11-12/16 |                  | 0.5 MB   |

## Catalogs

### ▼ Sicherheitsschalter mit Metallgehäuse Safety Switches with Metal Housing Bezpečnostní spínače s kovovým pouzdrém Interrupteurs de sécurité avec boîtier métallique 金属壳体的安全开关 Interruptores de seguridad con carcasa metálica

|   | Doc. no. | Version  | Language | Download |
|---|----------|----------|----------|----------|
| Sicherheitsschalter mit Metallgehäuse             | 100319   | 11-03/18 |          | 7.9 MB   |
| Interrupteurs de sécurité avec boîtier métallique | 100676   | 11-03/18 |          | 7.9 MB   |
| Interruptores de seguridad con carcasa metálica   | 104856   | 11-03/18 |          | 14.0 MB  |
| Safety Switches with Metal Housing                | 100369   | 11-03/18 |          | 7.9 MB   |
| Bezpečnostní spínače s kovovým pouzdrém           | 121650   | 11-03/18 |          | 7.9 MB   |
| 金属壳体的安全开关   | 102453   | 11-03/18 |          | 8.2 MB   |

## Declaration of conformity

### ▼ EU prohlášení o shodě

|  | Doc. no. | Version  | Language                         | Download |
|--|----------|----------|----------------------------------|----------|
| EU-Konformitätserklärung<br>Declaración UE de conformidad<br>Déclaration UE de conformité<br>Dichiarazione di conformità<br>EU declaration of conformity   | 2077153  | 25-02/17 | <br><br><br><br>                 | 0.3 MB   |
| EU prohlášení o shodě<br>EU-overensstemmelseserklæring<br>Δήλωση συμμόρφωσης της ΕΕ<br>EU-vaatimustenmukaisuusvakuutus<br>EU-típusbizonyítvány<br>EU-conformiteitsverklaring<br>Deklaracja zgodności UE<br>Declaração de Conformidade UE<br>Declarația de conformitate UE<br>EÚ vyhlásenie o zhode | 2077153  | 25-02/17 | <br><br><br><br><br><br><br><br> | 0.5 MB   |

## CAD data

CAD data for this item on TraceParts