

**ITEM 090933 NZ1RG-538-M**

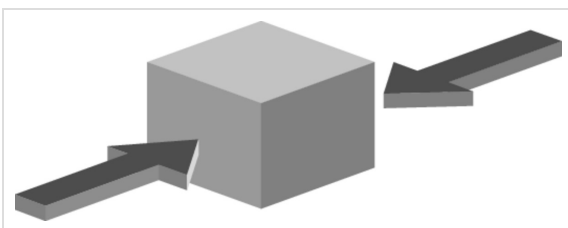
| Description | Technical data | Accessories | Downloads |
|-------------|----------------|-------------|-----------|
|-------------|----------------|-------------|-----------|



**Features**

- › Type C according to EN 50041(plastic roller  $\varnothing$  12 mm)
- › Cable entry M20 x 1.5

**Approach direction**



- › Figure  
Horizontal  
Can be adjusted in 90° steps

**Switching element**

**538H** Slow-action switching contact 2 NC ⊕

## Approvals



### Mechanical values and environment

|  |   |
|--|---|
| Housing material                                   | Anodized die-cast alloy                             |
| Weight   | Net 0,3 kg  |
| Ambient temperature                                | -25 ... 80 °C                                       |
| Degree of protection                               | IP67  |
| Mechanical life                                    | $30 \times 10^6$                                    |
| Contact material                                   | Silver alloy, gold flashed                          |
| Switching principle                                | Slow-action switching contact                       |
| Installation position                              | Any   |
| Number of door position positively driven contacts | 2   |
| Connection   | 1 x M20 x 1.5                                       |
| Approach speed                                     | max. 0,1 ... 20 m/min                               |
| Actuating element                                  | Plain bearing plastic Roller plunger <sup>[1]</sup> |
| Actuating force                                    | 15 ... 30 N   |

### Electrical connection ratings

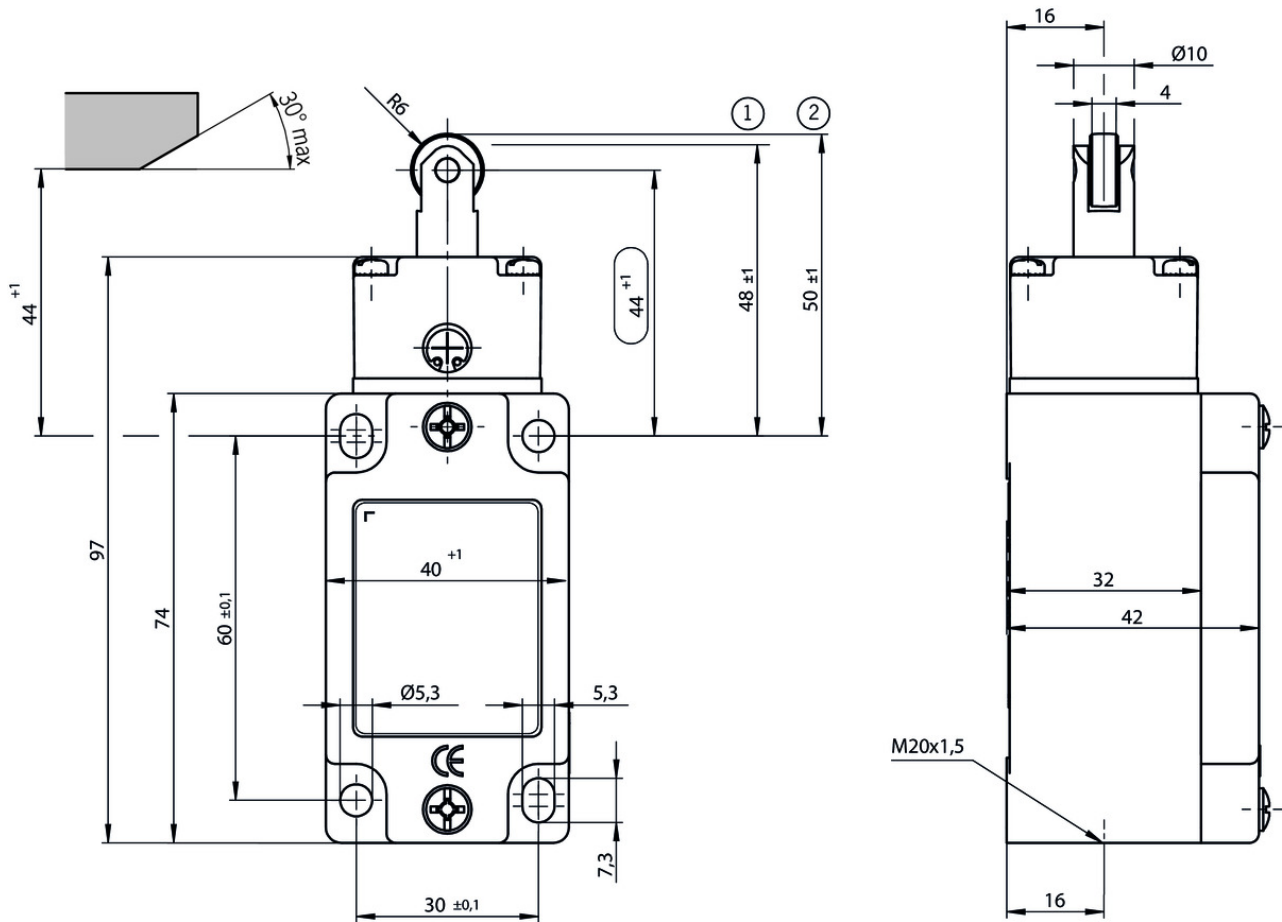
|   |                               |
|---|-------------------------------|
| Rated thermal current $I_{th}$                    | 4 A                           |
| Utilization category according to EN 60947-5-1    | AC-15 4A 230V<br>DC-13 4A 24V |
| Short circuit protection according to IEC 60269-1 | (Fuse) 4A gG                  |
| Rated insulation voltage $U_i$                    | 250 V                         |
| Rated impulse withstand voltage $U_{imp}$         | 2,5 kV                        |
| Switching current                                 | Min. at DC 24V 1 mA           |
| Connection cross-section                          | 0,34 ... 1,5 mm <sup>2</sup>  |

### Reliability values acc. to EN ISO 13849-1

|                  |  |
|------------------|--|
|                  | <b>Monitoring of the safety guard position</b> |
| B10 <sub>D</sub> | $20 \times 10^6$                               |

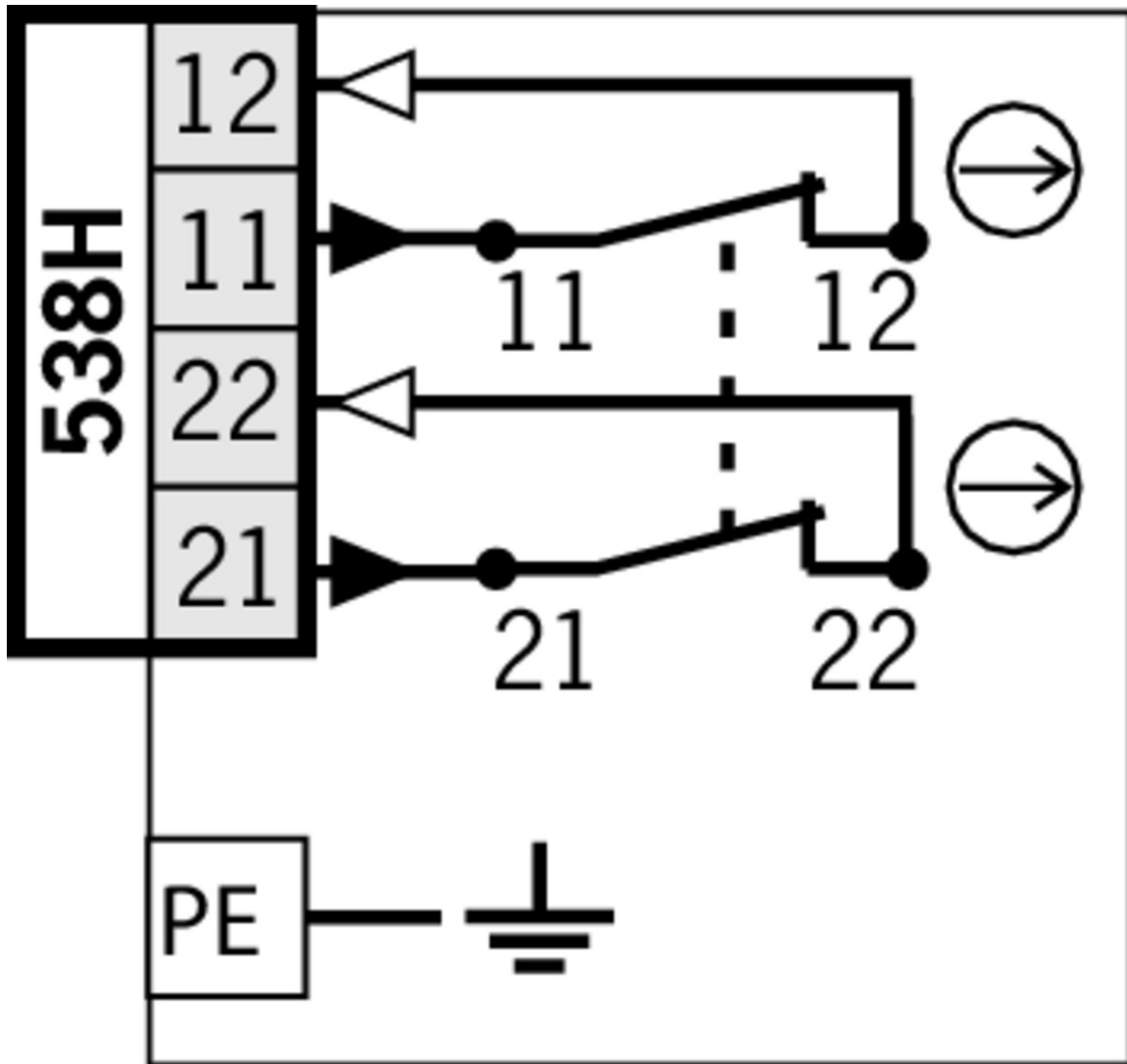
[1] d roller = 12 mm

### Dimension drawing



### Legende

- 1 Operating point
- 2 Free position



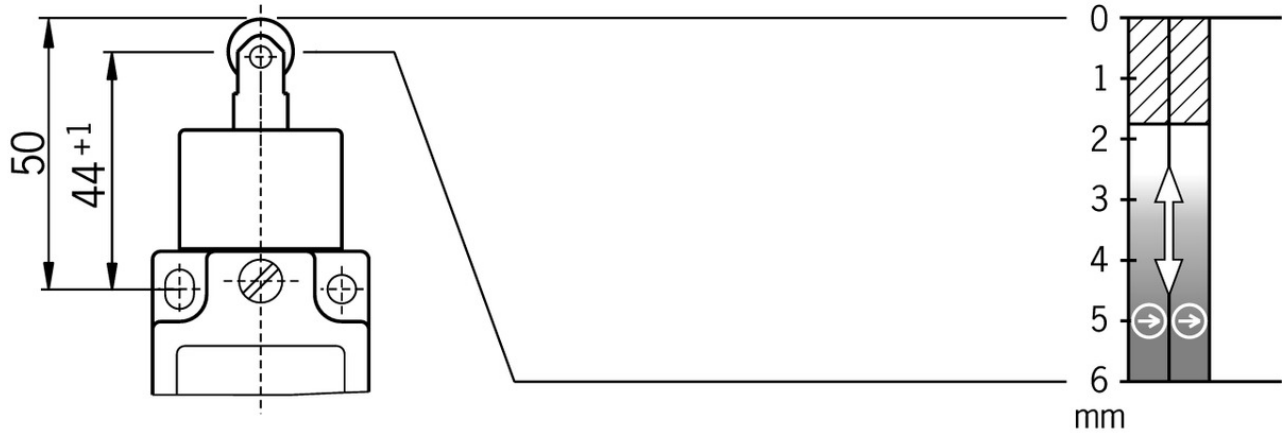
## Travel diagram

**NZ.RS**  
**NZ...RG**




**538H**



11-12  
21-22



## Legende

-  Contacts closed
-  Contacts open
-  Contacts positively driven

## Connection material

-  Cable glands M20x1.5



**077683** EKVM20/06



**077684** EKVM20/09

## Instructions

-  Betriebsanleitung Sicherheitsschalter NZ.D.../NZ.W.../NZ.R...

**Doc. no. Version Language Download**

|  |        |          |  |  |
|--|--------|----------|--|--|
| Betriebsanleitung Sicherheitsschalter<br>NZ.D.../NZ.W.../NZ.R...<br>Manual de instrucciones Interruptores de<br>seguridad NZ.D.../NZ.W.../NZ.R...<br>Mode d'emploi Interrupteur de sécurité<br>NZ.D.../NZ.W.../NZ.R...<br>Istruzioni di impiego Finecorsa di sicurezza<br>NZ.D.../NZ.W.../NZ.R...<br>Operating Instructions Safety Switch<br>NZ.D.../NZ.W.../NZ.R... | 074549 | 10-01/17 | <br><br><br><br> |  1.8 MB  |
| Instrukcja obsługi Wyłącznik bezpieczeństwa<br>NZ.D.../NZ.W.../NZ.R...   | 074549 | 10-01/17 |   |  0.4 MB |
| Инструкция по эксплуатации<br>Предохранительный выключатель<br>NZ.D.../NZ.W.../NZ.R...   | 074549 | 10-01/17 |   |  0.6 MB |
| Návod na prevádzku Bezpečnostný spínač<br>NZ.D.../NZ.W.../NZ.R...  | 074549 | 10-01/17 |   |  0.4 MB |

## Catalogs

- ✓ Sicherheitsschalter mit Metallgehäuse Safety Switches with Metal Housing Bezpečnostní spínače s kovovým pouzdrém Interrupteurs de sécurité avec boîtier métallique 金属壳体 的安全开关 Interruptores de seguridad con carcasa metálica

|   | Doc. no. | Version  | Language  | Download  |
|---|----------|----------|---|---|
| Sicherheitsschalter mit Metallgehäuse             | 100319   | 11-03/18 |  |  7.9 MB  |
| Interrupteurs de sécurité avec boîtier métallique | 100676   | 11-03/18 |  |  7.9 MB  |
| Interruptores de seguridad con carcasa metálica   | 104856   | 11-03/18 |  |  14.0 MB |
| Safety Switches with Metal Housing                | 100369   | 11-03/18 |  |  7.9 MB  |
| Bezpečnostní spínače s kovovým pouzdrém           | 121650   | 11-03/18 |  |  7.9 MB  |
| 金属壳体 的安全开关  | 102453   | 11-03/18 |  |  8.2 MB  |

## Declaration of conformity

- ✓ EU prohlášení o shodě

|  | Doc. no. | Version  | Language   | Download   |
|--|----------|----------|--|--|
| EU-Konformitätserklärung<br>Declaración UE de conformidad<br>Déclaration UE de conformité<br>Dichiarazione di conformità<br>EU declaration of conformity   | 2077153  | 25-02/17 | <br><br><br><br>  |  0.3 MB |
| EU prohlášení o shodě<br>EU-overensstemmelseserklæring<br>Δήλωση συμμόρφωσης της ΕΕ<br>EU-vaatimustenmukaisuusvakuutus<br>EU-típusbizonyítvány<br>EU-conformiteitsverklaring<br>Deklaracja zgodności UE<br>Declaração de Conformidade UE<br>Declarația de conformitate UE<br>EÚ vyhlásenie o zhode | 2077153  | 25-02/17 | <br><br><br><br><br><br><br><br><br> |  0.5 MB |

## CAD data

