

**ITEM 090971 NZ1HS-528L060-M**

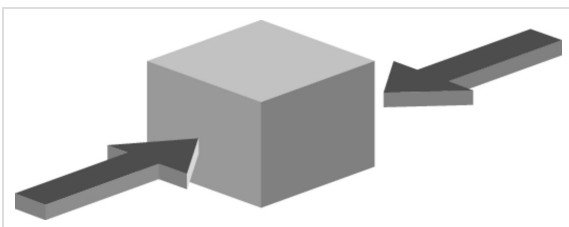
Description	Technical data	Accessories	Downloads
-------------	----------------	-------------	-----------



**Features**

- › Version A according to EN 50041(steel roller  $\varnothing$  18 mm)
- › Cable entry M20 x 1.5
- › LED indicator

**Approach direction**



- › Figure  
Horizontal

**Switching direction**

- › Right, left or both sides

**LED function display**

A function display is available for the following voltage range:

- › AC/DC 12-60 V red

## Switching element

**528H** Slow-action switching contact 1 NC $\text{\textcircled{R}}$  + 1 NO

## Approvals



## Mechanical values and environment

Housing material	Anodized die-cast alloy
Weight	
	Net 0,3 kg
Ambient temperature	-25 ... 80 °C
Degree of protection	IP67
Mechanical life	30 x 10 <sup>6</sup>
Contact material	Silver alloy, gold flashed
Switching principle	Slow-action switching contact
Installation position	Any
Number of door position positively driven contacts	1
Number of NO contacts	1
Connection	
	1 x M20 x 1.5
Approach speed	
	max. 0,1 ... 60 m/min
Actuating element	
	Plain bearing metal Lever arm <b>[1]</b>
Actuating force	min.15 N

## Electrical connection ratings

Rated thermal current I <sub>th</sub>	4 A
Utilization category according to EN 60947-5-1	
	AC-15 4A 230V
	DC-13 4A 24V
Short circuit protection according to IEC 60269-1	
	(Fuse) 4A gG
Rated insulation voltage U <sub>i</sub>	250 V
Rated impulse withstand voltage U <sub>imp</sub>	2,5 kV

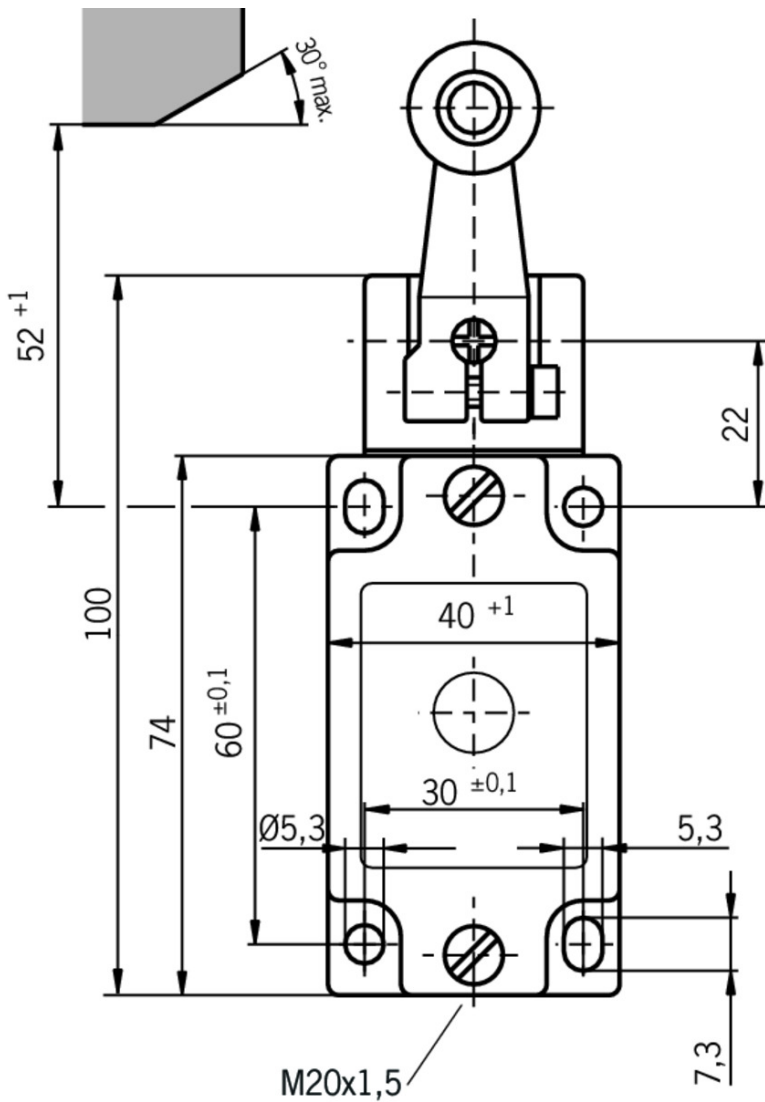
Switching current	Min. at DC 24V	1 mA
Connection cross-section	0,34 ... 0,75 mm <sup>2</sup>	
Display module	AC/DC	12 ... 60 V 60 V LED red

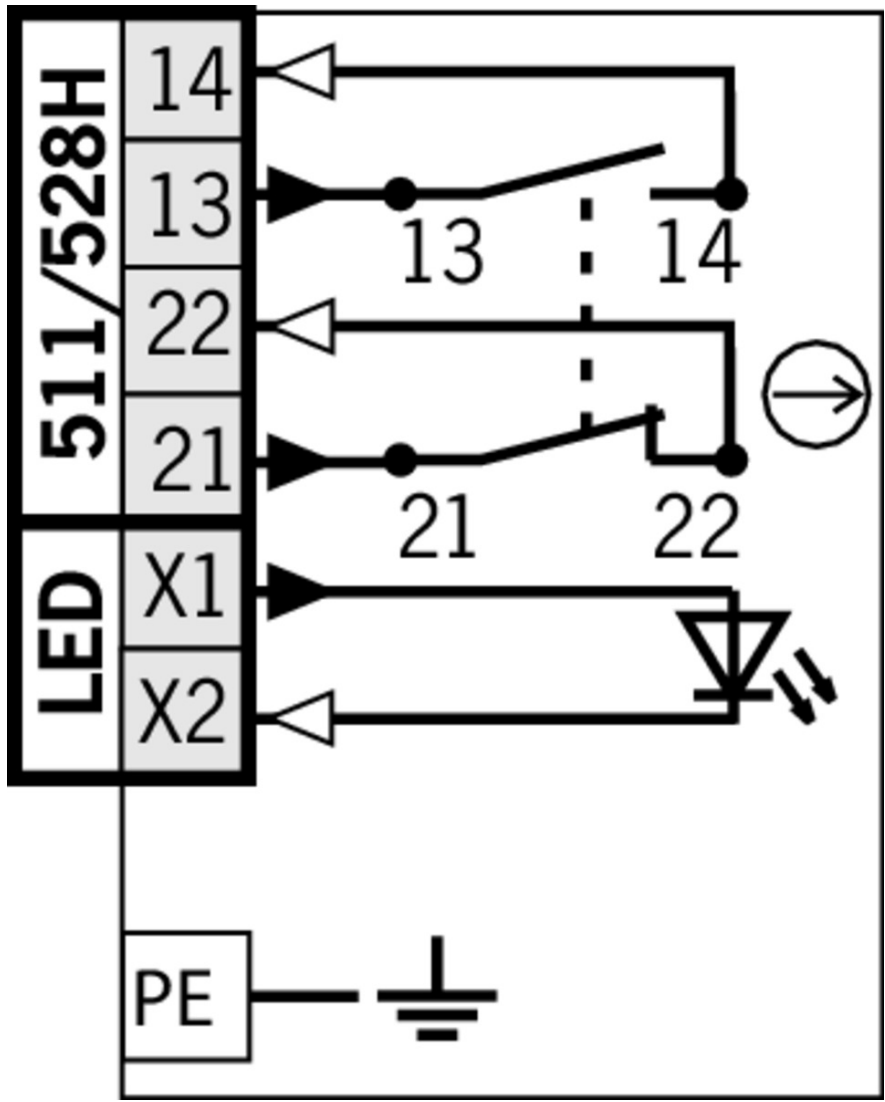
**Reliability values acc. to EN ISO 13849-1**

	<b>Monitoring of the safety guard position</b>
B10 <sub>D</sub>	20 x 10 <sup>6</sup>

[1] d roller = 18 mm, length 32 mm

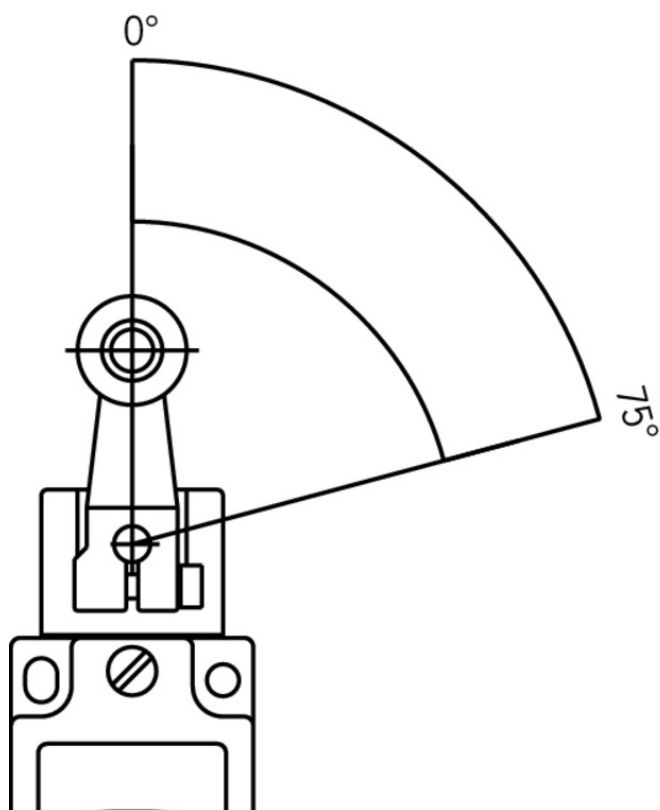
**Dimension drawing**



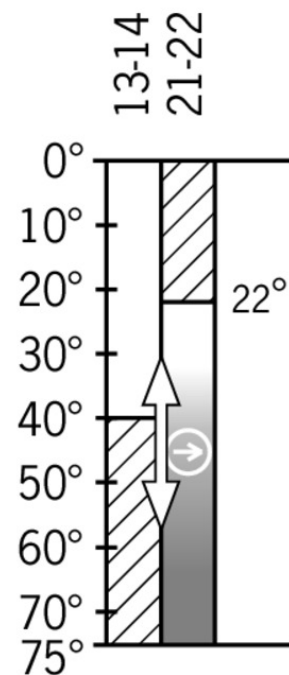


## Travel diagram




**NZ...HS**  
**NZ...HB**



**528H**



## Legende

-  Contacts closed
-  Contacts open
-  Contacts positively driven

## Connection material

-  Cable glands M20x1.5



**077684** EKVM20/09



**077683** EKVM20/06

## Spare parts

▼ Lever arm with steel roller



**012043** NHS ROLLENHEBEL

▼ Features

- › Steel roller Ø18mm

## Function expansion

▼ LED function display NZ



**029220** NGL060RT

## Instructions

▼ Betriebsanleitung Sicherheitsschalter NZ.H/P

	Doc. no.	Version	Language	Download
Betriebsanleitung Sicherheitsschalter NZ.H/P Manual de instrucciones Interruptores de seguridad NZ.H/P Mode d'emploi Interrupteur de sécurité NZ.H/P Istruzioni di impiego Finecorsa di sicurezza NZ.H/P Operating Instructions Safety Switch NZ.H/P	074550	11-12/16	    	2.1 MB
Instrukcja obsługi Wyłącznik bezpieczeństwa NZ.H/P	074550	11-12/16		0.5 MB
Инструкция по эксплуатации Предохранительный выключатель NZ.H/P	074550	11-12/16		0.6 MB
Návod na prevádzku Bezpečnostný spínač NZ.H/P	074550	11-12/16		0.5 MB

## Catalogs

▼ Sicherheitsschalter mit Metallgehäuse Safety Switches with Metal Housing Bezpečnostní spínače s kovovým pouzdrém Interrupteurs de sécurité avec boîtier métallique 金属壳体的安全开关 Interruptores de seguridad con carcasa metálica

	Doc. no.	Version	Language	Download
Sicherheitsschalter mit Metallgehäuse	100319	11-03/18		7.9 MB
Interrupteurs de sécurité avec boîtier métallique	100676	11-03/18		7.9 MB
Interruptores de seguridad con carcasa metálica	104856	11-03/18		14.0 MB
Safety Switches with Metal Housing	100369	11-03/18		7.9 MB
Bezpečnostní spínače s kovovým pouzdrém	121650	11-03/18		7.9 MB
金属壳体的安全开关	102453	11-03/18		8.2 MB

## Declaration of conformity

 EU prohlášení o shodě

	Doc. no.	Version	Language	Download
EU-Konformitätserklärung Declaración UE de conformidad Déclaration UE de conformité Dichiarazione di conformità EU declaration of conformity	2077153	25-02/17	    	 0.3 MB
EU prohlášení o shodě EU-overensstemmelseserklæring Δήλωση συμμόρφωσης της ΕΕ EU-vaatimustenmukaisuusvakuutus EU-típusbizonyítvány EU-conformiteitsverklaring Deklaracja zgodności UE Declaração de Conformidade UE Declarația de conformitate UE EÚ vyhlásenie o zhode	2077153	25-02/17	        	 0.5 MB

**CAD data**

CAD data for this item on TraceParts