

## ITEM 103725 SGA1A-2121A-M

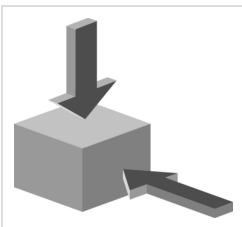
Description	Technical data	Accessories	Downloads
-------------	----------------	-------------	-----------



### Features

- › Cable entry M20 x 1.5
- › Switching disc made of metal

### Approach direction



- › Figure  
Horizontal and vertical  
Can be adjusted in 90° steps

### Switching element

**2121** Slow-action switching contact 4 NC ⊕

## Approvals



### Mechanical values and environment

Housing material	Die-cast alloy, cathodically dipped
Weight	Net 0,5 kg
Ambient temperature	-20 ... 80 °C
Degree of protection	IP67
Mechanical life	$2 \times 10^6$
Contact material	Silver alloy, gold flashed
Switching principle	Slow-action switching contact
Installation position	Any
Number of door position positively driven contacts	4
Connection	3 x M20 x 1.5
Approach speed	max. 20 m/min
Actuation frequency	6700 1/h
Retention force	10 N
Extraction force	25 N
Actuating force	25 N
Insertion depth	24,5 mm

### Electrical connection ratings

Rated thermal current $I_{th}$	4 A
Utilization category according to EN 60947-5-1	AC-15 4A 230V DC-13 4A 24V
Short circuit protection according to IEC 60269-1	(Fuse) 4A gG
Rated insulation voltage $U_i$	250 V
Rated impulse withstand voltage $U_{imp}$	2,5 kV
Switching voltage	Min. at 10mA 12 V
Switching current	Min. at 24V 1 mA
Connection cross-section	0,34 ... 1,5 mm <sup>2</sup>

### Reliability values acc. to EN ISO 13849-1

B10<sub>D</sub>

Monitoring of the safety guard position

$3 \times 10^6$

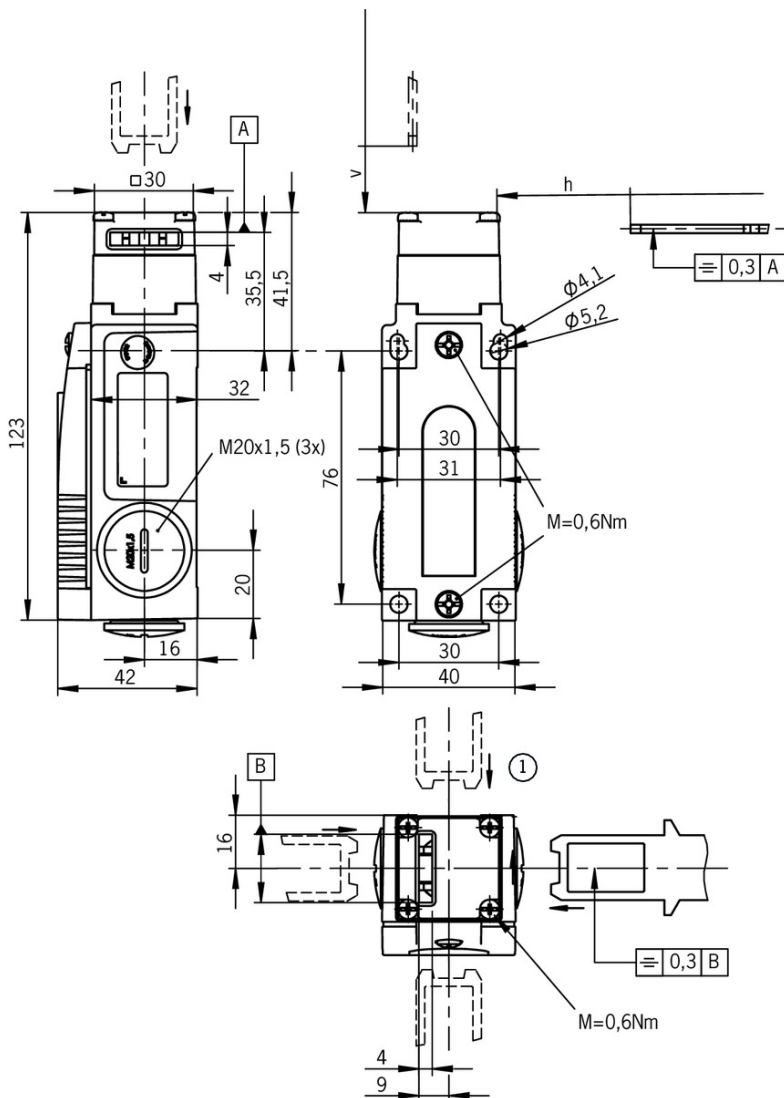
in combination with Actuator **BETAETIGER-S-GT-SN**

### Mechanical values and environment

Overtravel

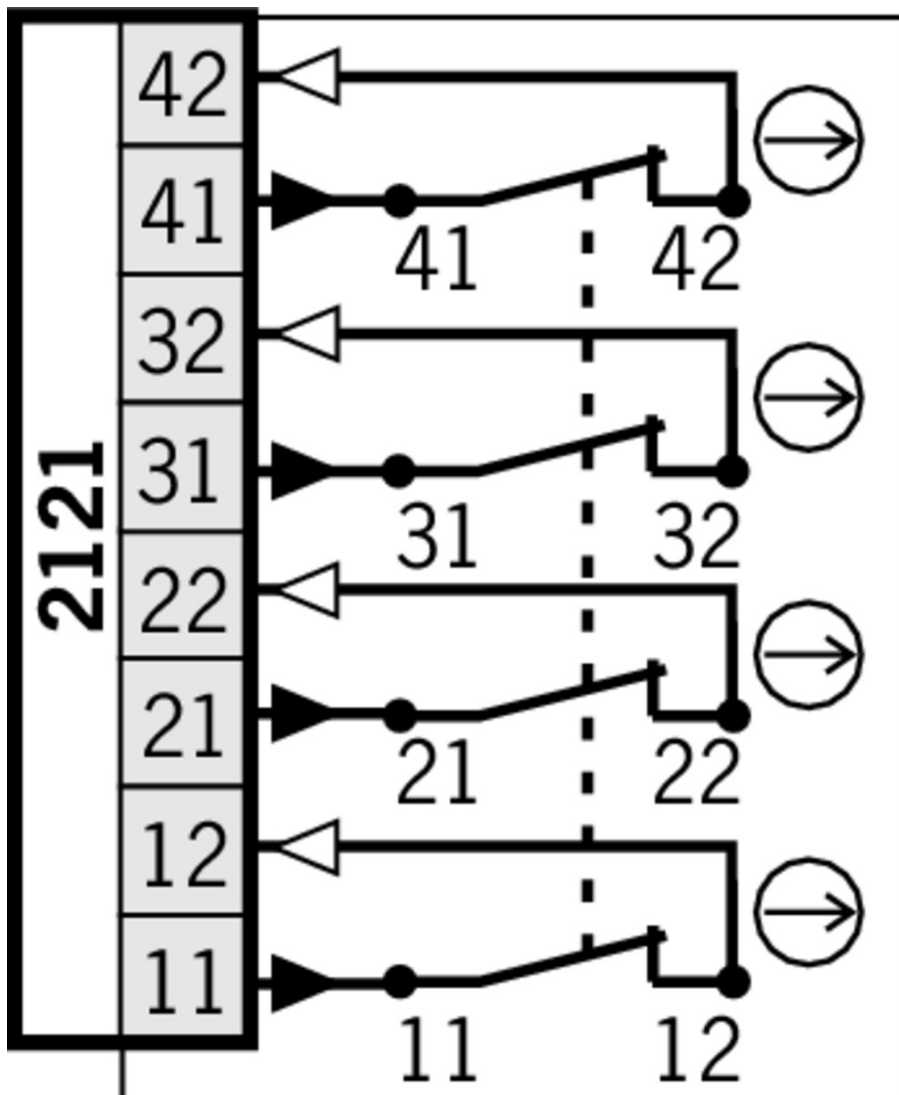
5 mm

### Dimension drawing



### Legende

1 Actuating direction can be changed



## Bolt

- ✓ Bolt BTC-ST/G... without escape release for safety switches STA, STP, SGP and SGA



### **106284** BTC-ST/G-S-TH-00-X

#### ✓ Features

- › Aluminum bolt
- › For doors hinged on the left or right
- › Can be locked in open position with padlocks
- › Actuator included

- ✓ Bolt BTC-ST/G... with escape release for safety switches STA, STP, SGP and SGA



### **106285** BTC-ST/G-S-TH-01-F

#### ✓ Features

- › Aluminum bolt
- › For doors hinged on the left or right
- › Lever for escape release from the danger area
- › Pushbutton in open position
- › Can be locked in open position with padlocks

› Actuator included

---

## Mounting accessories

---

▼ Mounting plates EMP-B2 for actuators for safety switches CTP, TP...A, STA, STP, TX and TZ



**093458** EMP-B2

---

▼ Mounting plates EMP-SB for safety switches CTP, TP...A, STA, STP and TX



**093456** EMP-SB

▼ Features

› For vertical and horizontal mounting of safety switches TP...A, STA, STP and TX

---

▼ Mounting plates EMP-B1 for actuators for safety switches CTP, TP...A, STA, STP, TX and TZ



**093457** EMP-B1

---

## Function expansion

---

▼ Lockout bar STA/STP/SGA/SGP/STM



**105701** SPERREINSATZ STP/STA

▼ Features

› Prevents unintentional closing of the door  
› Can be secured with padlocks

---

▼ Insertion funnel for safety switches SGP/STA/STP/STM/SGA



**093157** EINFUEHRTRICHTER-S

---

## Connection material

---

▼ Cable glands M20x1.5



**086233** EKPM20/06 086233

---

## Actuator

---

▼ Actuator L, bent, for safety switches SGA/SGP/STA/STP/STM for insertion funnel



**095741** BETAETIGER-S-WQT-LN

▼ Features

- › Two safety screws included
  - › Actuators with rubber bushings
- 



**105809** BETAETIGER-S-WT-LN-C2115

▼ Features

- › Two stainless safety screws per actuator
  - › Actuators with rubber bushings
  - › Minimum door radius 300 mm
- 

▼ Hinged actuator L left/right, for safety switches SGA/SGP/STA/STP/STM for insertion funnel



**096844** RADIUSBETAETIGER-S-LR-LN

▼ Features

- › Actuators made of stainless steel
  - › Two stainless safety screws per actuator
  - › For doors hinged on right and left
- 

▼ Hinged actuator L top/bottom, for safety switches SGA/SGP/STA/STP/STM for insertion funnel



**096697** RADIUSBETAETIGER-S-OU-LN

▼ Features

- › Actuators made of stainless steel
  - › Two stainless safety screws per actuator
  - › For doors hinged at top and bottom
- 

▼ Hinged actuator S left/right for safety switches SGA/SGP/STA/STP/STM



**096838** RADIUSBETAETIGER-S-LR-SN

▼ Features

- › Actuators made of stainless steel
  - › Two safety screws included
  - › For doors hinged on right and left
- 

▼ Hinged actuator S top/bottom for safety switches SGA/SGP/STA/STP/STM



**095315** RADIUSBETAETIGER-S-OU-SN

▼ Features

- › Actuators made of stainless steel
  - › Two safety screws included
  - › For doors hinged at top and bottom
- 

▼ Actuator S for safety switches SGA/SGP/STA/STP/STM



**095738** BETAETIGER-S-GT-SN

▼ Features

- › Two safety screws included
  - › Actuators with rubber bushings
-



### 097861 BETAETIGER-S-G-SN-C2115

#### Features

- › Two safety screws included
- › Physically compatible with TP actuator P-G

#### Actuator L for safety switches SGA/SGP/STA/STP/STM for insertion funnel



### 095739 BETAETIGER-S-GT-LN

#### Features

- › Two safety screws included
- › Actuators with rubber bushings

#### Actuator S, bent, for safety switches SGA/SGP/STA/STP/STM



### 095740 BETAETIGER-S-WQT-SN

#### Features

- › Two safety screws included



### 115073 BETAETIGER-S-W-SN-C2115

#### Features

- › Two stainless safety screws per actuator
- › Minimum door radius 300 mm



### 105808 BETAETIGER-S-WT-SN-C2115

#### Features

- › Two stainless safety screws per actuator
- › Actuators with rubber bushings
- › Minimum door radius 300 mm

## Instructions

#### Betriebsanleitung Sicherheitsschalter SGA...

	Doc. no.	Version	Language	Download
Betriebsanleitung Sicherheitsschalter SGA...	103727	04-08/15		2.6 MB
Manual de instrucciones Interruptores de seguridad SGA...				
Mode d'emploi Interrupteur de sécurité SGA...				
Istruzioni di impiego Finecorsa di sicurezza SGA...				
Operating Instructions Safety Switch SGA...				

## Catalogs

#### Bezpečnostní spínače s plastovým pouzdem Sicherheitsschalter mit Kunststoffgehäuse Safety Switches with Plastic Housing Interruptores de seguridad con carcasa plástica Interrupteurs de sécurité avec boîtier plastique 塑料壳体 的安全开关

	Doc. no.	Version	Language	Download
Sicherheitsschalter mit Kunststoffgehäuse	096955	11-03/18		6.6 MB
Interrupteurs de sécurité avec boîtier plastique	100677	11-03/18		6.6 MB
Interruptores de seguridad con carcasa plástica	104855	11-03/18		6.6 MB
Bezpečnostní spínače s plastovým pouzdem	121649	11-03/18		6.6 MB
Safety Switches with Plastic Housing	096956	11-03/18		6.6 MB
塑料壳体 的安全开关	116243	11-03/18		6.2 MB

Sicherheitsschalter mit Metallgehäuse Safety Switches with Metal Housing Bezpečnostní spínače s kovovým pouzdem Interrupteurs de sécurité avec boîtier métallique 金属壳体 的安全开关 Interruptores de seguridad con carcasa metálica

	Doc. no.	Version	Language	Download
Sicherheitsschalter mit Metallgehäuse	100319	11-03/18		7.9 MB
Interrupteurs de sécurité avec boîtier métallique	100676	11-03/18		7.9 MB
Interruptores de seguridad con carcasa metálica	104856	11-03/18		14.0 MB
Safety Switches with Metal Housing	100369	11-03/18		7.9 MB
Bezpečnostní spínače s kovovým pouzdem	121650	11-03/18		7.9 MB
金属壳体 的安全开关	102453	11-03/18		8.2 MB

## Declaration of conformity

EU prohlášení o shodě

	Doc. no.	Version	Language	Download
EU-Konformitätserklärung Declaración UE de conformidad Déclaration UE de conformité Dichiarazione di conformità EU declaration of conformity	2077153	25-02/17	    	0.3 MB
EU prohlášení o shodě EU-overensstemmelseserklæring Δήλωση συμμόρφωσης της ΕΕ EU-vaatimustenmukaisuusvakuutus EU-típusbizonyítvány EU-conformiteitsverklaring Deklaracja zgodności UE Declaração de Conformidade UE Declarația de conformitate UE EÚ vyhlásenie o zhode	2077153	25-02/17	         	0.5 MB