

ITEM 099126 SGP3E-538ASEM4AS1

Description	Technical data	Accessories	Downloads
-------------	----------------	-------------	-----------



Features

- › Actuating head made of metal
- › Internal LED function display

AS-Interface inputs

D0, D1 Positively driven NC contact 1
D2, D3 Positively driven NC contact 2
Evaluation is performed via a safety monitor.

LED function display

(internal with open cover)

- › The Power LED indicates the operating voltage on the bus.
- › The Fault LED indicates if a fault has been detected on the AS-Interface bus.

Approvals



Mechanical values and environment

Housing material	Reinforced thermoplastic
Weight	Net 0,5 kg
Ambient temperature	-20 ... 55 °C
Degree of protection	IP67
Mechanical life	2×10^6
Contact material	Silver alloy, gold flashed
Switching principle	Slow-action switching contact
Installation position	Any
Number of door position positively driven contacts	
According to As-i Safety at Work	2 D0, D1, D2, D3 [1]
Connection	1 x Plug connector M12
Approach speed	max. 20 m/min
Actuation frequency	6700 1/h
Retention force	10 N
Extraction force	25 N
Actuating force	25 N
Insertion depth	24,5 mm

Electrical connection ratings

ASi voltage	22,5 ... 30 V 31,6 V
ASi operating current	max.45 mA
ASi slave type	
According to ASI specification 2.1	ID code: B
According to ASI specification 2.1	EA code: 7
ASi data in	
According to ASI safety at work	D0, D1, D2, D3 [2]
ASi LED	
LED green	Power [3]
LED red	Fault [4]

Reliability values acc. to EN ISO 13849-1

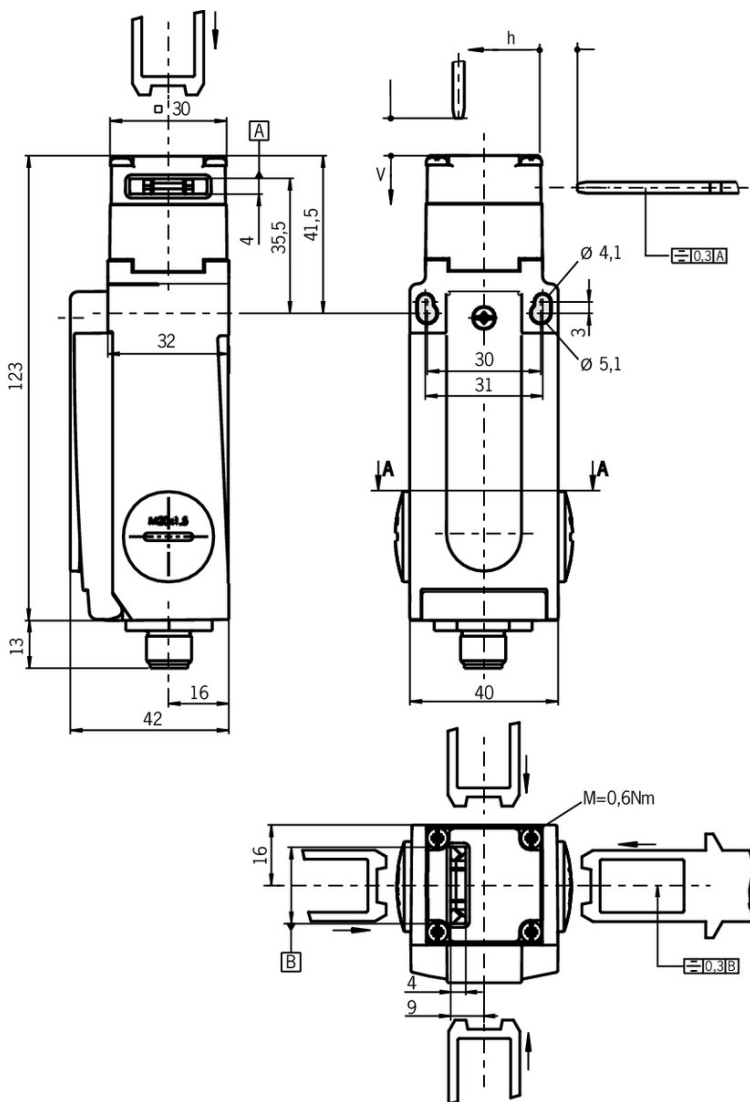
B10 _D	3×10^6
------------------	-----------------

in combination with Actuator BETAETIGER-S-GT-SN

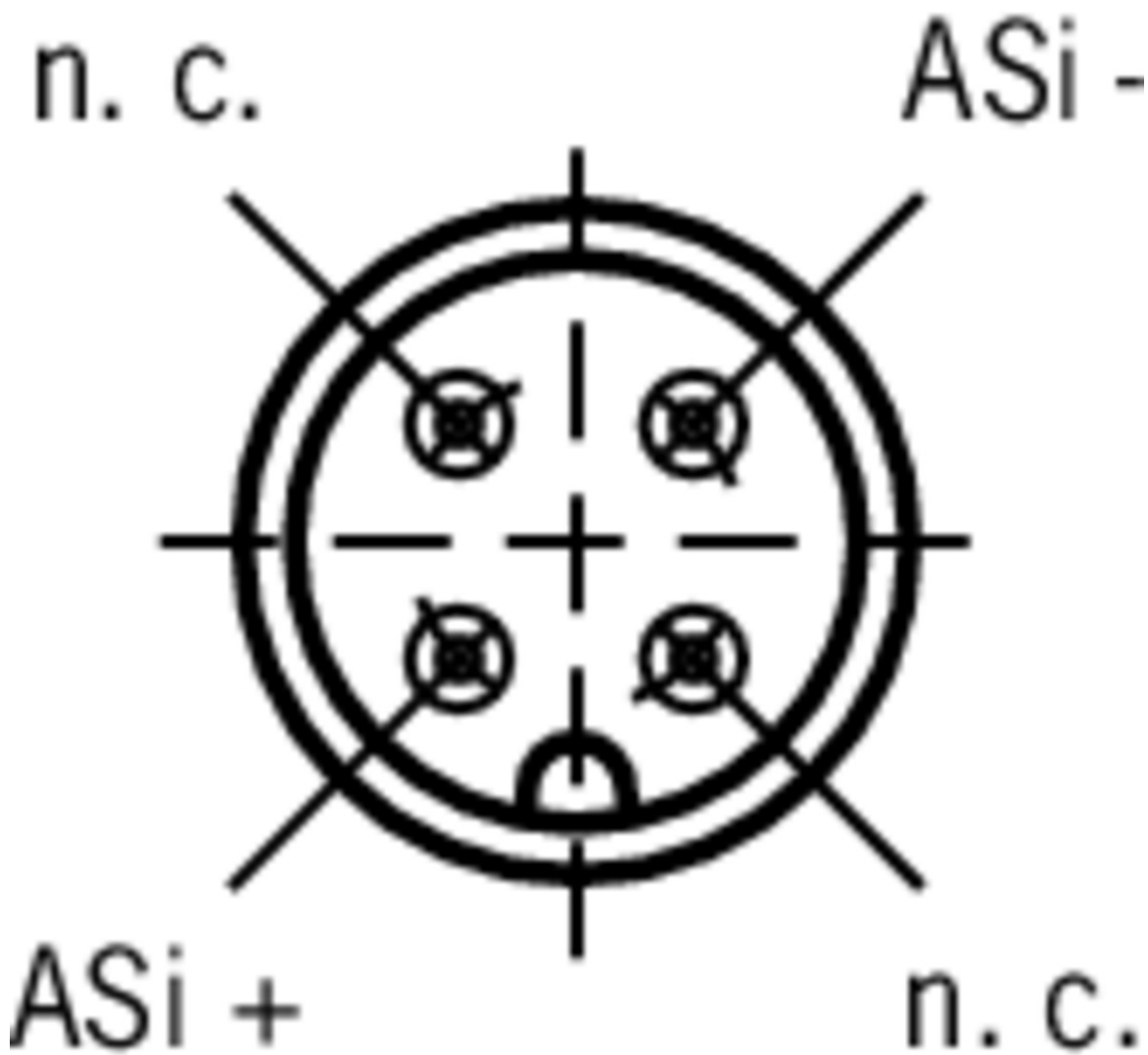
Mechanical values and environment

- [1] 1 = Door closed
- [2] See positively driven NC contact
- [3] Asi voltage is present
- [4] Offline phase or address 0

Dimension drawing



Connector assignment



Legende

View of connection side

Actuator

✓ Actuator S for safety switches SGA/SGP/STA/STP/STM



097861 BETAETIGER-S-G-SN-C2115

✓ Features

- › Two safety screws included
- › Physically compatible with TP actuator P-G



095738 BETAETIGER-S-GT-SN

✓ Features

- › Two safety screws included
- › Actuators with rubber bushings

-
- ▼ Actuator S, bent, for safety switches SGA/SGP/STA/STP/STM



095740 BETAETIGER-S-WQT-SN

- ▼ Features
 - › Two safety screws included

-
- ▼ Actuator L for safety switches SGA/SGP/STA/STP/STM for insertion funnel



095739 BETAETIGER-S-GT-LN

- ▼ Features
 - › Two safety screws included
 - › Actuators with rubber bushings

-
- ▼ Actuator L, bent, for safety switches SGA/SGP/STA/STP/STM for insertion funnel



095741 BETAETIGER-S-WQT-LN

- ▼ Features
 - › Two safety screws included
 - › Actuators with rubber bushings

-
- ▼ Hinged actuator S top/bottom for safety switches SGA/SGP/STA/STP/STM



095315 RADIUSBETAETIGER-S-OU-SN

- ▼ Features
 - › Actuators made of stainless steel
 - › Two safety screws included
 - › For doors hinged at top and bottom

-
- ▼ Hinged actuator S left/right for safety switches SGA/SGP/STA/STP/STM



096838 RADIUSBETAETIGER-S-LR-SN

- ▼ Features
 - › Actuators made of stainless steel
 - › Two safety screws included
 - › For doors hinged on right and left

-
- ▼ Hinged actuator L top/bottom, for safety switches SGA/SGP/STA/STP/STM for insertion funnel



096697 RADIUSBETAETIGER-S-OU-LN

- ▼ Features
 - › Actuators made of stainless steel
 - › Two stainless safety screws per actuator
 - › For doors hinged at top and bottom

-
- ▼ Hinged actuator L left/right, for safety switches SGA/SGP/STA/STP/STM for insertion funnel



096844 RADIUSBETAETIGER-S-LR-LN

- ▼ Features
 - › Actuators made of stainless steel

- › Two stainless safety screws per actuator
- › For doors hinged on right and left

Function expansion

- ▼ Insertion funnel for safety switches SGP/STA/STP/STM/SGA



093157 EINFUEHRTRICHTER-S

Bolt

- ▼ Bolt BTC-ST/G... without escape release for safety switches STA, STP, SGP and SGA



106284 BTC-ST/G-S-TH-00-X

- ▼ Features

- › Aluminum bolt
- › For doors hinged on the left or right
- › Can be locked in open position with padlocks
- › Actuator included

Connection material

- ▼ Bus coupling module with plug connector M12, 5-pin



105756 BCM-A-P2-SEM4-1

- ▼ Features

- › Conversion from M12 to ribbon cable
- › Very compact design
- › Easy handling

Instructions

- ▼ Betriebsanleitung Sicherheitsschalter SGP..AS

	Doc. no.	Version	Language	Download
Betriebsanleitung Sicherheitsschalter SGP..AS Operating Instructions Safety Switches SGP..AS	099194	04-08/15		0.7 MB

Catalogs

- ▼ Sicherheitsschalter mit AS-Interface Safety Switches with AS-Interface Interrupteurs de sécurité avec AS-Interface

Doc. no. Version Language Download

Sicherheitsschalter mit AS-Interface	092164	11-04/17		 2.3 MB
Interrupteurs de sécurité avec AS-Interface	112564	11-04/17		 2.3 MB
Safety Switches with AS-Interface	092332	11-04/17		 2.3 MB

Declaration of conformity

EU prohlášení o shodě

	Doc. no.	Version	Language	Download
EU-Konformitätserklärung Declaración UE de conformidad Déclaration UE de conformité Dichiarazione di conformità EU declaration of conformity	2077153	25-02/17	    	 0.3 MB
EU prohlášení o shodě EU-overensstemmelseserklæring Δήλωση συμμόρφωσης της ΕΕ EU-vaatimustenmukaisuusvakuutus EU-típusbizonyítvány EU-conformiteitsverklaring Deklaracja zgodności UE Declaração de Conformidade UE Declarația de conformitate UE EÚ vyhlásenie o zhode	2077153	25-02/17	         	 0.5 MB

CAD data

CAD data for this item on TraceParts