

ITEM 104022 SGP2E-538ASR6

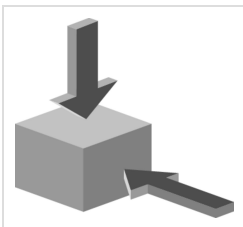
Description	Technical data	Accessories	Downloads
-------------	----------------	-------------	-----------



Features

- › Actuating head made of metal
- › Plug connector SR6 (2x)

Approach direction



- › Figure
Horizontal and vertical
Can be adjusted in 90° steps

Switching element

538 Slow-action switching contact 2 NC ⊕

Approvals



Mechanical values and environment

Housing material	Reinforced thermoplastic
Weight	Net 0,5 kg
Ambient temperature	-20 ... 80 °C
Degree of protection	IP65
Mechanical life	2 x 10 ⁶
Contact material	Silver alloy, gold flashed
Switching principle	Slow-action switching contact
Installation position	Any
Number of door position positively driven contacts	2
Connection	1 x Plug connector SR6 [1]
Approach speed	max. 20 m/min
Actuation frequency	6700 1/h
Retention force	10 N
Extraction force	25 N
Actuating force	25 N
Insertion depth	24,5 mm

Electrical connection ratings

Rated thermal current I_{th}	4 A [2]
Utilization category according to EN 60947-5-1	AC-15 4A 50V [3] DC-13 4A 24V [4]
Short circuit protection according to IEC 60269-1	(Fuse) 4A gG [5]
Rated insulation voltage U_i	50 V
Rated impulse withstand voltage U_{imp}	1,5 kV
Switching voltage	Min. at 10mA 12 V
Switching current	Min. at 24V 1 mA

Reliability values acc. to EN ISO 13849-1

B10_D

Monitoring of the safety guard position

3×10^6

in combination with Actuator **BETAETIGER-S-GT-SN**

Mechanical values and environment

Overtravel

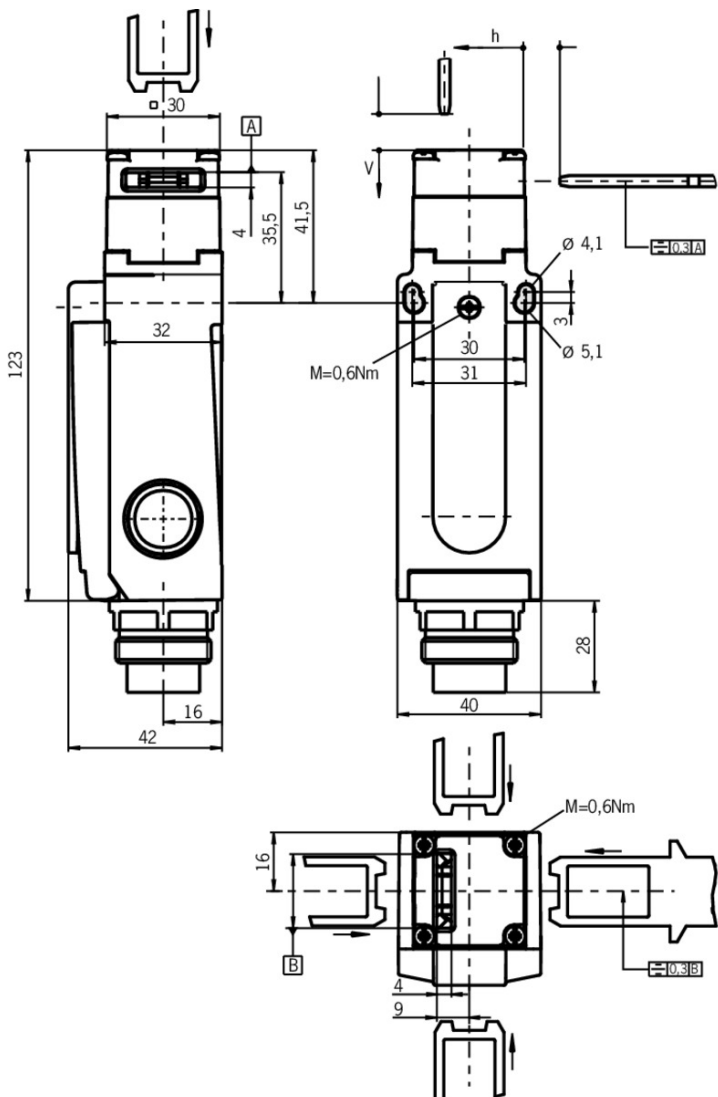
5 mm

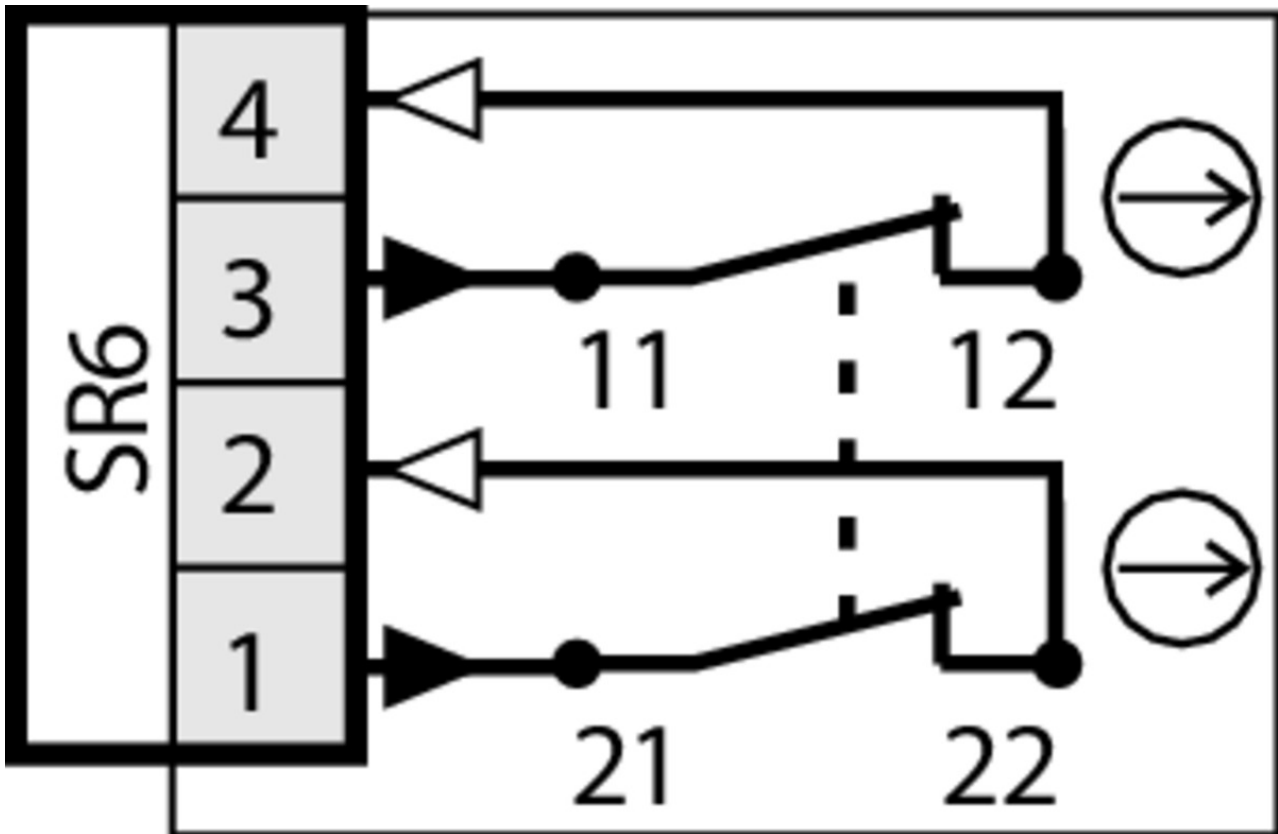
[1] 6-pole (without PE)

[2, 3, 4] $> 70^\circ\text{C} \Rightarrow 2\text{A}$

[5] $> 70^\circ\text{C} \Rightarrow 2\text{A gG}$

Dimension drawing





Actuator

- ✓ Actuator S for safety switches SGA/SGP/STA/STP/STM



095738 BETAETIGER-S-GT-SN

- ✓ Features

- › Two safety screws included
- › Actuators with rubber bushings



097861 BETAETIGER-S-G-SN-C2115

- ✓ Features

- › Two safety screws included
- › Physically compatible with TP actuator P-G

- ✓ Hinged actuator L top/bottom, for safety switches SGA/SGP/STA/STP/STM for insertion funnel



096697 RADIUSBETAETIGER-S-OU-LN

- ✓ Features

- › Actuators made of stainless steel
- › Two stainless safety screws per actuator
- › For doors hinged at top and bottom

- ✓ Hinged actuator L left/right, for safety switches SGA/SGP/STA/STP/STM for insertion funnel

096844 RADIUSBETAETIGER-S-LR-LN



- ✓ Features
 - › Actuators made of stainless steel
 - › Two stainless safety screws per actuator
 - › For doors hinged on right and left
-

- ✓ Actuator L for safety switches SGA/SGP/STA/STP/STM for insertion funnel



- 095739** BETAETIGER-S-GT-LN
 - ✓ Features
 - › Two safety screws included
 - › Actuators with rubber bushings
-

- ✓ Actuator L, bent, for safety switches SGA/SGP/STA/STP/STM for insertion funnel



- 095741** BETAETIGER-S-WQT-LN
 - ✓ Features
 - › Two safety screws included
 - › Actuators with rubber bushings
-

- ✓ Hinged actuator S top/bottom for safety switches SGA/SGP/STA/STP/STM



- 095315** RADIUSBETAETIGER-S-OU-SN
 - ✓ Features
 - › Actuators made of stainless steel
 - › Two safety screws included
 - › For doors hinged at top and bottom
-

- ✓ Hinged actuator S left/right for safety switches SGA/SGP/STA/STP/STM



- 096838** RADIUSBETAETIGER-S-LR-SN
 - ✓ Features
 - › Actuators made of stainless steel
 - › Two safety screws included
 - › For doors hinged on right and left
-

- ✓ Actuator S, bent, for safety switches SGA/SGP/STA/STP/STM



- 095740** BETAETIGER-S-WQT-SN
 - ✓ Features
 - › Two safety screws included
-

Function expansion

- ✓ Insertion funnel for safety switches SGP/STA/STP/STM/SGA



- 093157** EINFUEHRTRICHTER-S
-

▼ Lockout bar STA/STP/SGA/SGP/STM



105701 SPERREINSATZ STP/STA

▼ Features

- › Prevents unintentional closing of the door
- › Can be secured with padlocks

Bolt

▼ Bolt BTC-ST/G... without escape release for safety switches STA, STP, SGP and SGA



106284 BTC-ST/G-S-TH-00-X

▼ Features

- › Aluminum bolt
- › For doors hinged on the left or right
- › Can be locked in open position with padlocks
- › Actuator included

▼ Bolt S-... with escape release for safety switches STA, STP, SGP and SGA



096390 RIEGEL S-AF

▼ Features

- › Steel bolt
- › Lever for escape release from the danger area
- › For doors hinged on the right
- › Detent knob in open position
- › Can be locked in open position with padlocks
- › Actuator included



096391 RIEGEL S-CF

▼ Features

- › Steel bolt
- › Lever for escape release from the danger area
- › For doors hinged on the left
- › Detent knob in open position
- › Can be locked in open position with padlocks
- › Actuator included

▼ Bolt S-... for safety switches STA, STP, SGP and SGA



096384 RIEGEL S-A

▼ Features

- › Steel bolt
- › For doors hinged on the right
- › Can be locked in open position with padlocks
- › Actuator included

▼ Bolt BTC-ST/G... with escape release for safety switches STA, STP, SGP and SGA

106285 BTC-ST/G-S-TH-01-F

▼ Features



- › Aluminum bolt
- › For doors hinged on the left or right
- › Lever for escape release from the danger area
- › Pushbutton in open position
- › Can be locked in open position with padlocks
- › Actuator included

▼ Bolt STP-GFK for safety switches STA, STP, SGP and SGA



098121 RIEGEL STP-GFK

▼ Features

- › Fiber glass reinforced plastic bolt
- › For doors hinged on the left or right
- › Can be locked in open position with padlocks
- › Actuator included

Mounting accessories

▼ Mounting plates EMP-SB for safety switches CTP, TP...A, STA, STP and TX



093456 EMP-SB

▼ Features

- › For vertical and horizontal mounting of safety switches TP...A, STA, STP and TX

▼ Mounting plates EMP-B1 for actuators for safety switches CTP, TP...A, STA, STP, TX and TZ



093457 EMP-B1

▼ Mounting plates EMP-B2 for actuators for safety switches CTP, TP...A, STA, STP, TX and TZ



093458 EMP-B2

▼ Switch bracket TP/STP GFK



096613 SCHALTERAUFNAHME TP/STP GFK

▼ Features

- › Switch bracket made of fiber glass reinforced plastic
- › For left or right hinged doors

Connection material

▼ Plug connector SR6



013176 SR6EF

▼ Features

- › Crimp contacts

- › Coding shells



024999 SR6WFPG11R

▾ Features

- › Socket crimp contacts
- › 6-pin+PE
- › Contact carrier can be adjusted in 7 outlet directions

013178 SR6K

▾ Features

- › Coding for plug connector SR6
- › Coding shells

087180 SR6AM2-M20

▾ Features

- › Crimp contacts
- › Male socket

▾ Connection cable with plug connector SR6, 5m



077632 C-M26F07-07X1,0PU05,0-MA-077632

▾ Features

- › Female plug SR6, 6-pin + PE
- › Straight plug connector
- › PUR cable
- › Cable length 5 m
- › With flying lead

▾ Connection cable with plug connector SR6, 10m



077633 C-M26F07-07X1,0PU10,0-MA-077633

▾ Features

- › Female plug SR6, 6-pin + PE
- › Straight plug connector
- › PUR cable
- › Cable length 10 m
- › With flying lead

▾ Connection cable with plug connector SR6, 15m



077634 C-M26F07-07X1,0PU15,0-MA-077634

▾ Features

- › Female plug SR6, 6-pin + PE
- › Straight plug connector
- › PUR cable
- › Cable length 15 m
- › With flying lead

▾ Connection cable with plug connector SR6, 20m



098128 C-M26F07-07X1,0PU20,0-MA-098128

▼ Features

- › Female plug SR6, 6-pin + PE
- › Straight plug connector
- › PUR cable
- › Cable length 20 m
- › With flying lead

▼ Connection cable with plug connector SR6, 10m, angled



077639 C-R22F07-07X1,0PU10,0-MA-077639

▼ Features

- › Female plug SR6, 6-pin + PE
- › Angled plug connector
- › PUR cable
- › Cable length 10 m
- › With flying lead

▼ Connection cable with plug connector SR6, 15m, angled



077640 C-R22F07-07X1,0PU15,0-MA-077640

▼ Features

- › Female plug SR6, 6-pin + PE
- › Angled plug connector
- › PUR cable
- › Cable length 15 m
- › With flying lead

Instructions

▼ Betriebsanleitung Sicherheitsschalter SGP...

	Doc. no.	Version	Language	Download
Betriebsanleitung Sicherheitsschalter SGP...	097700	07-08/15		2.5 MB
Manual de instrucciones Interruptores de seguridad SGP...				
Mode d'emploi pour les interrupteurs de sécurité SGP...				
Istruzioni di impiego dei finecorsa di sicurezza SGP...				
Operating Instructions Safety Switches SGP...				


Catalogs

▼ Bezpečnostní spínače s plastovým pouzdrém Sicherheitsschalter mit Kunststoffgehäuse Safety Switches with Plastic Housing Interruptores de seguridad con carcasa plástica Interrupteurs de sécurité avec boîtier plastique 塑料壳体 的安全开关

Doc. no.	Version	Language	Download
----------	---------	----------	----------

Sicherheitsschalter mit Kunststoffgehäuse	096955	11-03/18		 6.6 MB
Interrupteurs de sécurité avec boîtier plastique	100677	11-03/18		 6.6 MB
Interruptores de seguridad con carcasa plástica	104855	11-03/18		 6.6 MB
Bezpečnostní spínače s plastovým pouzdrém	121649	11-03/18		 6.6 MB
Safety Switches with Plastic Housing	096956	11-03/18		 6.6 MB
塑料壳体 的安全开关	116243	11-03/18		 6.2 MB

Declaration of conformity

 EU prohlášení o shodě

	Doc. no.	Version	Language	Download
EU-Konformitätserklärung	2077153	25-02/17		 0.3 MB
Declaración UE de conformidad				
Déclaration UE de conformité				
Dichiarazione di conformità				
EU declaration of conformity				
EU prohlášení o shodě	2077153	25-02/17		 0.5 MB
EU-overensstemmelseserklæring				
Δήλωση συμμόρφωσης της ΕΕ				
EU-vaatimustenmukaisuusvakuutus				
EU-típusbizonyítvány				
EU-conformiteitsverklaring				
Deklaracja zgodności UE				
Declaração de Conformidade UE				
Declarația de conformitate UE				
EÚ vyhlásenie o zhode				