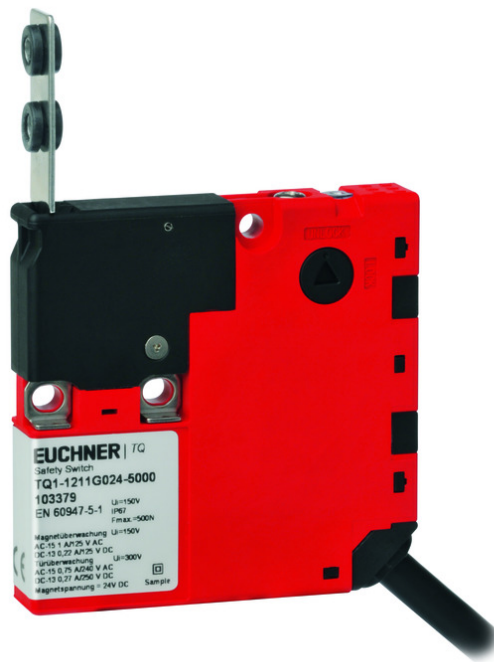


## ITEM 104748 TQ1-1202SG024-5000

Description	Technical data	Accessories	Downloads
-------------	----------------	-------------	-----------



### Features

- › Compact housing
- › Mechanical release from 3 sides
- › Any installation position
- › LED indicator
- › connection cable 5m

### Guard locking types

**TQ1** Closed-circuit current principle, guard locking by spring force. Release by applying voltage to the guard locking solenoid.

### Switching elements

**SK** For monitoring the door/actuator position.

**ÜK** Monitoring contact for monitoring the guard locking (built-in solenoid).

**1202S** Slow-action switching contact 2 NC $\ominus$  + 2 NC + 1 NO

### Auxiliary release

This releases the guard locking after operation with a triangular key (included).

## Approvals



## Mechanical values and environment

Housing material	Reinforced thermoplastic
Weight	
Net	0,5 kg
Ambient temperature	-20 ... 50 °C
Degree of protection	IP67
Mechanical life	$1 \times 10^6$
Contact material	Silver alloy, gold flashed
Switching principle	Slow-action switching contact
Installation position	Any
Number of door position positively driven contacts	2
Number of door position NO contacts	1
Number of guard lock monitoring NC contacts	2
Connection	Connection cable 5m
Approach speed	0,05 ... 1 m/min
Actuation frequency	900 1/h
Guard locking principle	Closed-circuit current principle
Locking force $F_{max}$	500 N
Retention force	1 N
Extraction force	10 N
Actuating force	5 N
Insertion depth	26,3 mm

## Electrical connection ratings

Rated thermal current $I_{th}$	2,5 A
Utilization category according to EN 60947-5-1	
AC-15	0.75A 250V 1A 125V
DC-13	0.27A 250V 0.22A 125V
Solenoid operating voltage	
DC	24 V -15% ... +10%
Short circuit protection according to IEC 60269-1	
(Fuse)	2A gG
Rated insulation voltage $U_i$	250 V

Rated impulse withstand voltage $U_{imp}$	2,5 kV
Switching voltage	
Min. at 10mA	12 V
Switching current	
Min. at 24V	1 mA
Power consumption	2,7 W
Solenoid duty cycle	100 %

### Reliability values acc. to EN ISO 13849-1

	<b>Monitoring of the position of the safety guard</b>
$B10_D$	$2 \times 10^6$
	<b>Control of the guard locking</b>
Category	Depending on external control of guard locking
Performance Level	Depending on external control of guard locking
$PFH_D$	Depending on external control of guard locking

**in combination with Actuator BETAETIGER-Q-GT, RADIUSBETAETIGER-Q-RO, RADIUSBETAETIGER-Q-LU, BETAETIGER-Q-WT**

### Mechanical values and environment

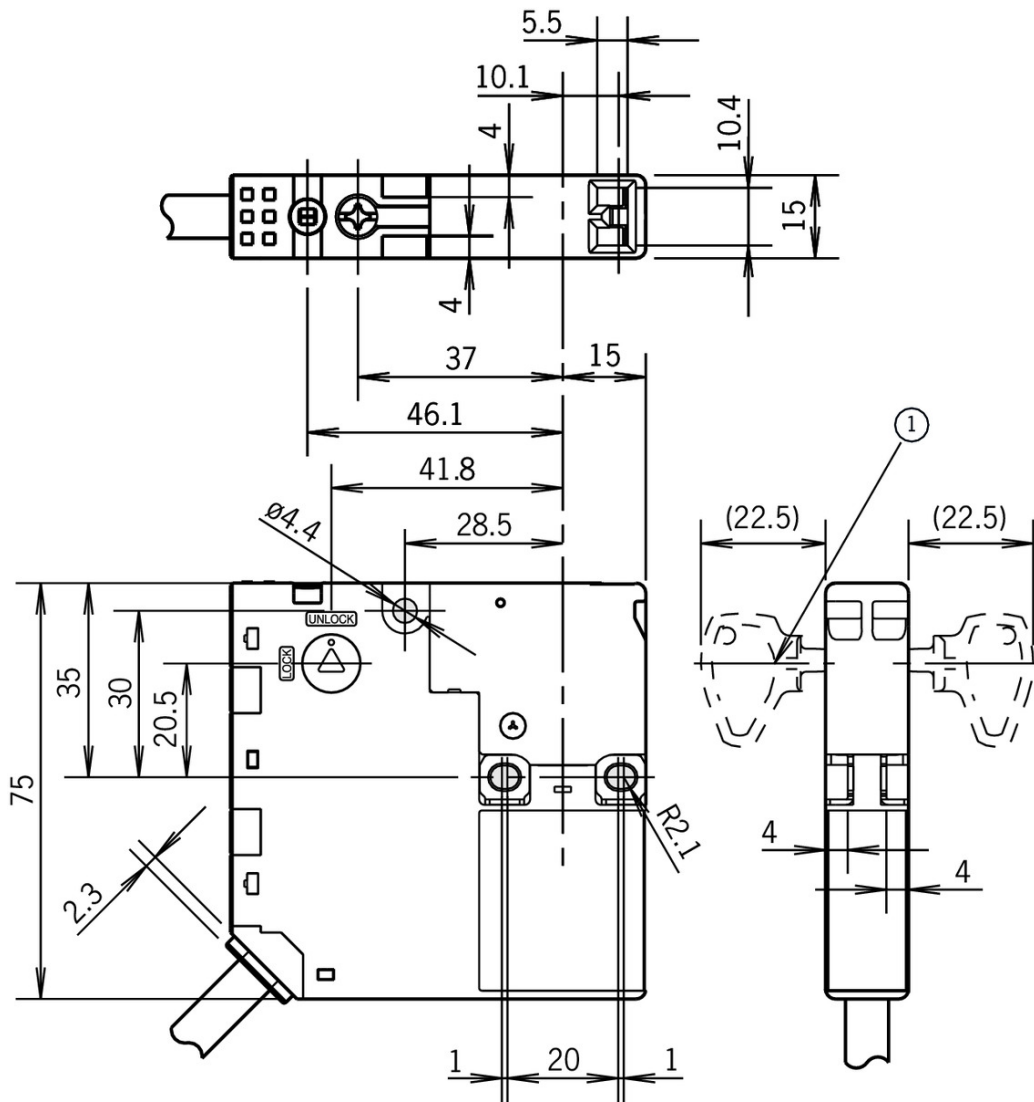
Overtravel A B C D E	1,9 mm
----------------------	--------

**in combination with Actuator BETAETIGER-Q-WTB**

### Mechanical values and environment

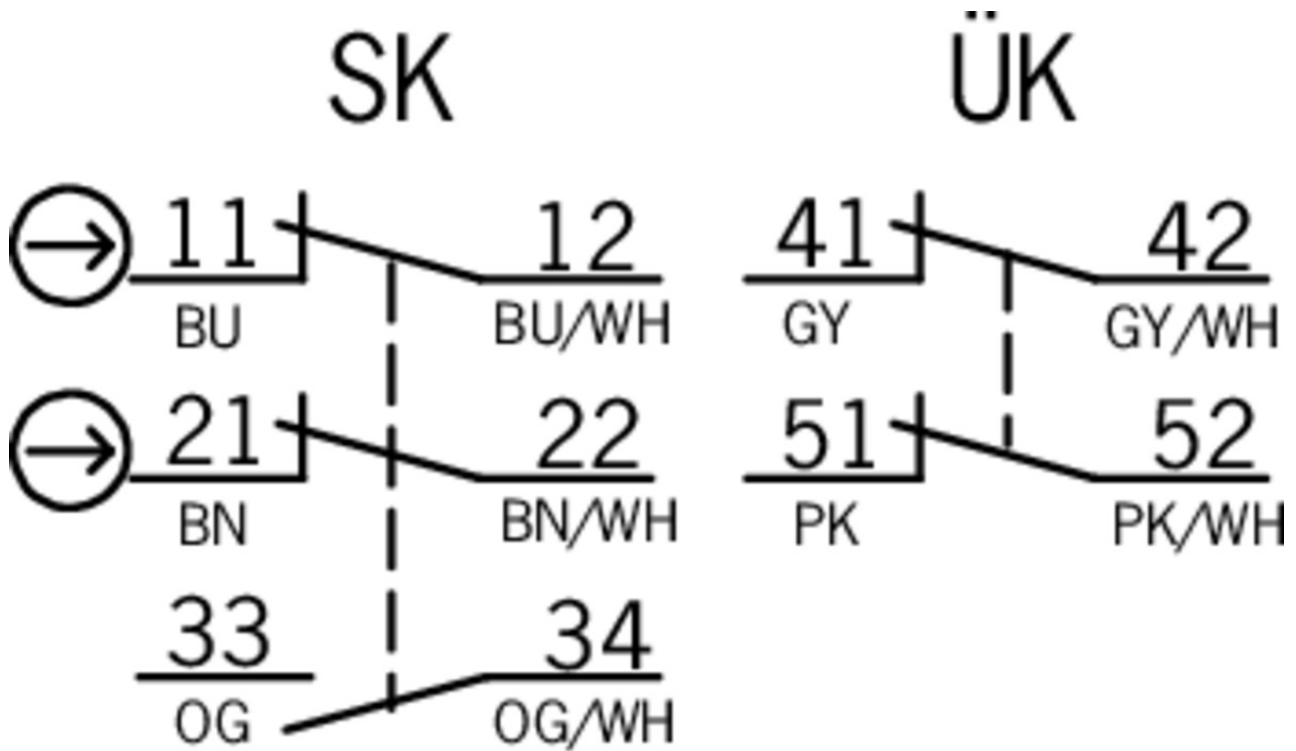
Overtravel A B C D E	1,3 mm
----------------------	--------

### Dimension drawing



### Legende

1 Triangular key



## Actuator

- Actuator for safety switches NQ/TQ



### 103386 BETAETIGER-Q-GT

#### Features

- With rubber bush
- Minimum door radius 160 mm
- Maximum locking force 500 N
- Mounting aid included



### 103389 BETAETIGER-Q-WT

#### Features

- With rubber bush
- Minimum door radius 160 mm
- Maximum locking force 500 N
- Mounting aid included



### 103390 BETAETIGER-Q-WTB

#### Features

- With rubber bush
- Minimum door radius 160 mm
- Maximum locking force 500 N
- With mounting plate
- Mounting aid included

- Hinged actuator right/top for safety switches NQ/TQ



### 103387 RADIUSBETAETIGER-Q-RO

#### Features

- › Minimum door radius 50 mm
- › For doors hinged on right and at top
- › Maximum locking force 500 N
- › Mounting aid included

#### ▼ Hinged actuator left/bottom for safety switches NQ/TQ



### 103388 RADIUSBETAETIGER-Q-LU

#### Features

- › Minimum door radius 50 mm
- › For doors hinged on left and at bottom
- › Maximum locking force 500 N
- › Mounting aid included

## Instructions

#### ▼ Betriebsanleitung Sicherheitsschalter TQ...

	Doc. no.	Version	Language	Download
Betriebsanleitung Sicherheitsschalter TQ...	103787	07-07/15		2.6 MB
Manual de instrucciones Interruptor de seguridad TQ...				
Mode d'emploi Interrupteur de sécurité TQ...				
Istruzioni di impiego Finecorsa di sicurezza TQ...				
Operating Instructions Safety Switch TQ...				

## Catalogs

#### ▼ Sicherheitsschalter NQ/TQ

	Doc. no.	Version	Language	Download
Sicherheitsschalter NQ/TQ	103699	05-03/16		0.6 MB
Safety Switches NQ/TQ				

## Declaration of conformity

#### ▼ EU-Konformitätserklärung

	Doc. no.	Version	Language	Download
EU-Konformitätserklärung	2105755	08-03/17		0.2 MB
Declaración UE de conformidad				
Déclaration UE de conformité				
Dichiarazione di conformità				
EU declaration of conformity				

## CAD data

CAD data for this item on TraceParts

