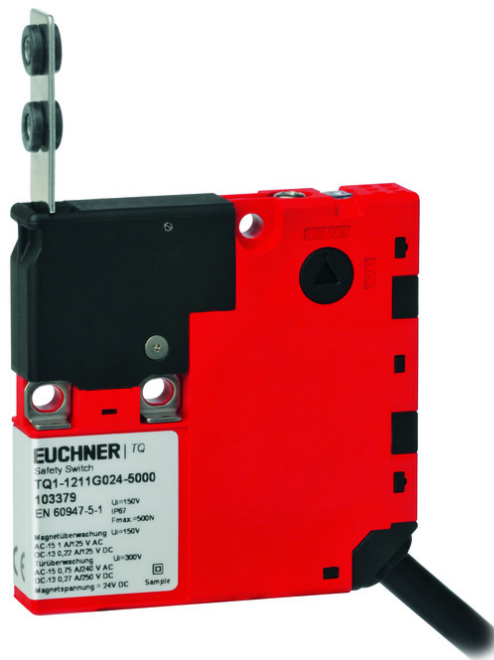


ITEM 103380 TQ2-0302G024-5000

Description	Technical data	Accessories	Downloads
-------------	----------------	-------------	-----------



Features

- › Compact housing
- › Mechanical release from 3 sides
- › Any installation position
- › LED indicator
- › connection cable 5m

Guard locking types

TQ2 Open-circuit current principle, guard locking by applying voltage to the guard locking solenoid. Release by spring force.

Switching elements

SK For monitoring the door/actuator position.

ÜK Monitoring contact for monitoring the guard locking (built-in solenoid).

0302 Slow-action switching contact 3 NC ⊕ + 2 NC

Auxiliary release

This releases the guard locking after operation with a triangular key (included).

Approvals



Mechanical values and environment

Housing material	Reinforced thermoplastic
Weight	
	Net 0,5 kg
Ambient temperature	-20 ... 50 °C
Degree of protection	IP67
Mechanical life	1 x 10 ⁶
Contact material	Silver alloy, gold flashed
Switching principle	Slow-action switching contact
Installation position	Any
Number of door position positively driven contacts	3
Number of guard lock monitoring NC contacts	2
Connection	Connection cable 5m
Approach speed	0,05 ... 1 m/min
Actuation frequency	900 1/h
Guard locking principle	3 Open-circuit current principle
Locking force F_{max}	500 N
Retention force	1 N
Extraction force	10 N
Actuating force	5 N
Insertion depth	26,3 mm

Electrical connection ratings

Rated thermal current I_{th}	2,5 A
Utilization category according to EN 60947-5-1	
	AC-15 0.75A 250V 1A 125V
	DC-13 0.27A 250V 0.22A 125V
Solenoid operating voltage	
	DC 24 V -15% ... +10%
Short circuit protection according to IEC 60269-1	
	(Fuse) 2A gG
Rated insulation voltage U_i	250 V
Rated impulse withstand voltage U_{imp}	2,5 kV

Switching voltage	Min. at 10mA	12 V
Switching current	Min. at 24V	1 mA
Power consumption		2,7 W
Solenoid duty cycle		100 %

Reliability values acc. to EN ISO 13849-1

	Monitoring of the position of the safety guard
B10 _D	2 x 10 ⁶

in combination with Actuator BETAETIGER-Q-GT, RADIUSBETAETIGER-Q-RO, RADIUSBETAETIGER-Q-LU, BETAETIGER-Q-WT

Mechanical values and environment

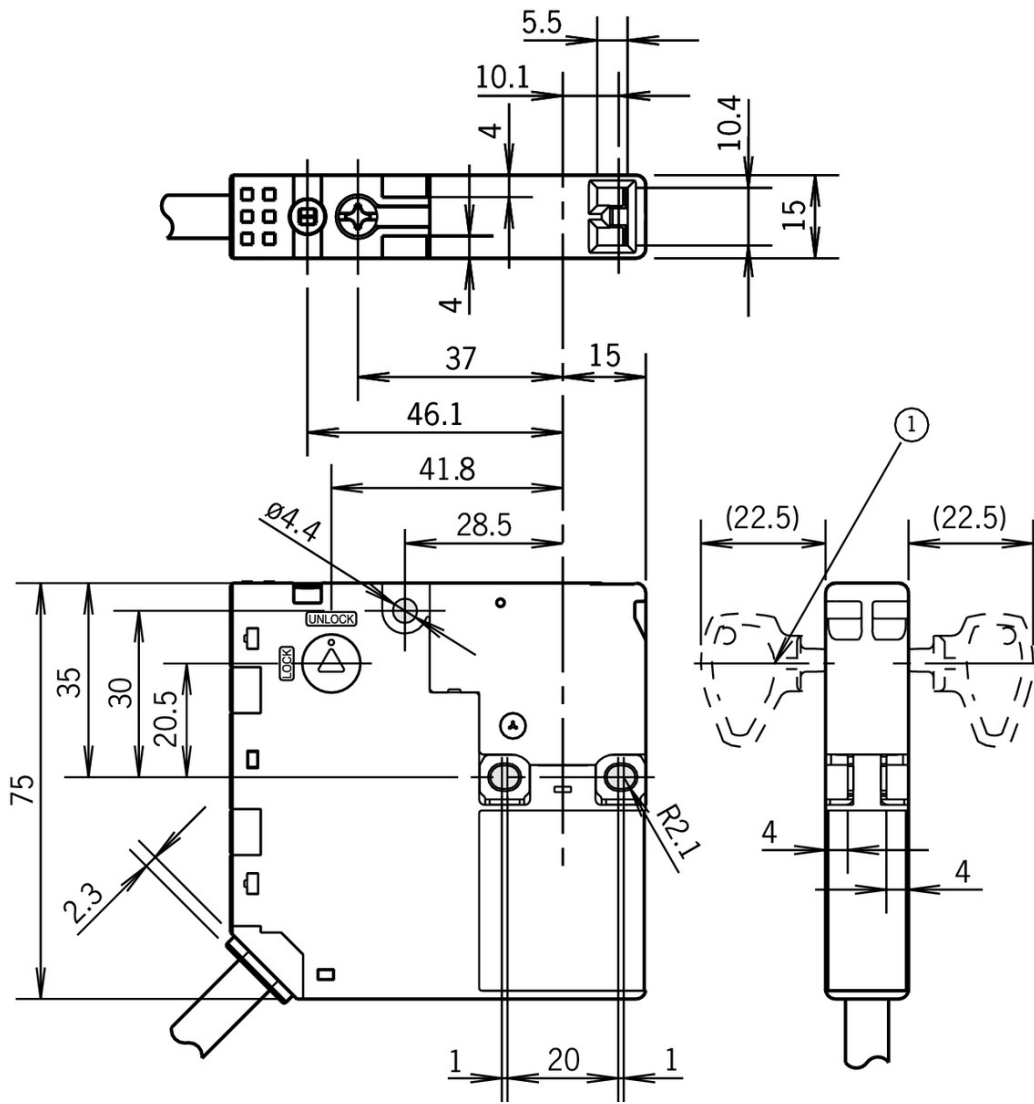
Overtravel A B C D E	1,9 mm
----------------------	--------

in combination with Actuator BETAETIGER-Q-WTB

Mechanical values and environment

Overtravel A B C D E	1,3 mm
----------------------	--------

Dimension drawing

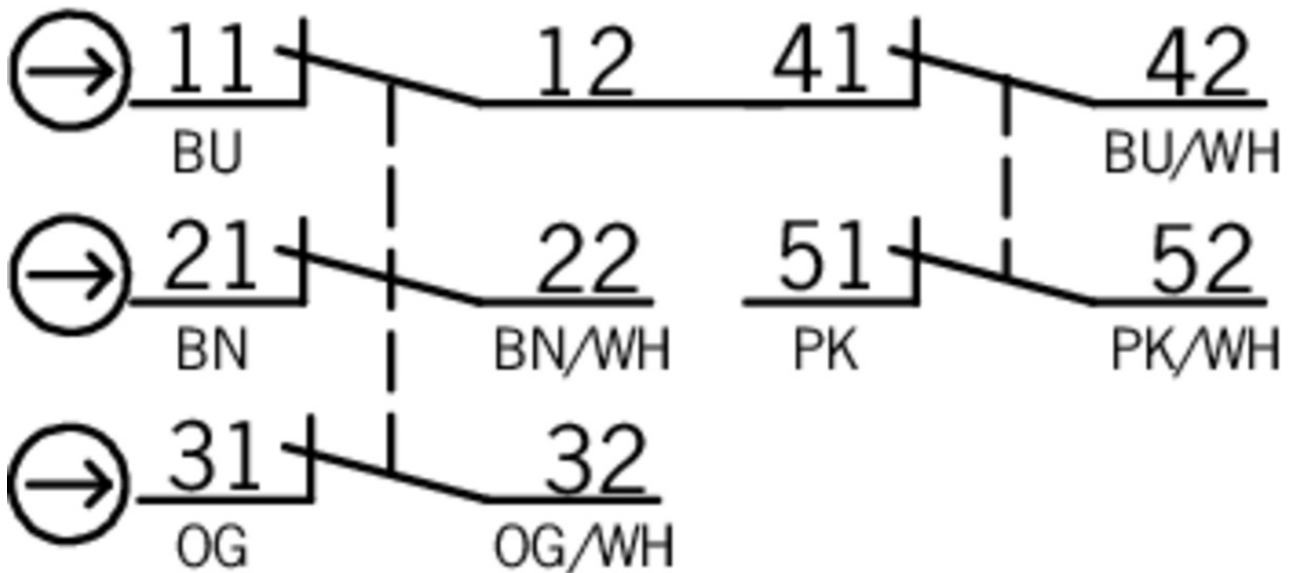


Legende

1 Triangular key

SK

ÜK



Actuator

- ✓ Hinged actuator right/top for safety switches NQ/TQ

**103387** RADIUSBETAETIGER-Q-RO

✓ Features

- › Minimum door radius 50 mm
- › For doors hinged on right and at top
- › Maximum locking force 500 N
- › Mounting aid included

- ✓ Actuator for safety switches NQ/TQ

**103386** BETAETIGER-Q-GT

✓ Features

- › With rubber bush
- › Minimum door radius 160 mm
- › Maximum locking force 500 N
- › Mounting aid included

**103389** BETAETIGER-Q-WT

✓ Features

- › With rubber bush
- › Minimum door radius 160 mm
- › Maximum locking force 500 N
- › Mounting aid included



103390 BETAETIGER-Q-WTB

Features

- › With rubber bush
- › Minimum door radius 160 mm
- › Maximum locking force 500 N
- › With mounting plate
- › Mounting aid included

▼ Hinged actuator left/bottom for safety switches NQ/TQ



103388 RADIUSBETAETIGER-Q-LU

Features

- › Minimum door radius 50 mm
- › For doors hinged on left and at bottom
- › Maximum locking force 500 N
- › Mounting aid included

Instructions

▼ Betriebsanleitung Sicherheitsschalter TQ...

	Doc. no.	Version	Language	Download
Betriebsanleitung Sicherheitsschalter TQ...	103787	07-07/15		2.6 MB
Manual de instrucciones Interruptor de seguridad TQ...				
Mode d'emploi Interrupteur de sécurité TQ...				
Istruzioni di impiego Finecorsa di sicurezza TQ...				
Operating Instructions Safety Switch TQ...				

Catalogs

▼ Sicherheitsschalter NQ/TQ

	Doc. no.	Version	Language	Download
Sicherheitsschalter NQ/TQ	103699	05-03/16		0.6 MB
Safety Switches NQ/TQ				

Declaration of conformity

▼ EU-Konformitätserklärung

	Doc. no.	Version	Language	Download
EU-Konformitätserklärung	2105755	08-03/17		0.2 MB
Declaración UE de conformidad				
Déclaration UE de conformité				
Dichiarazione di conformità				
EU declaration of conformity				

CAD data

CAD data for this item on TraceParts

