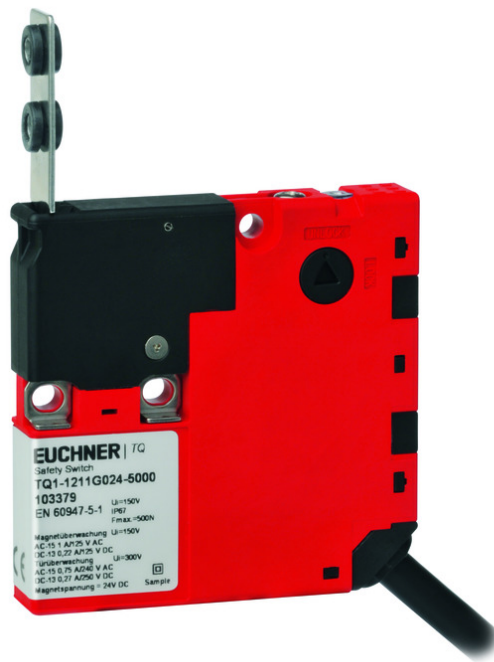


ITEM 104749 TQ1-1211SG024-5000

Description	Technical data	Accessories	Downloads
-------------	----------------	-------------	-----------



Features

- › Compact housing
- › Mechanical release from 3 sides
- › Any installation position
- › LED indicator
- › connection cable 5m

Guard locking types

TQ1 Closed-circuit current principle, guard locking by spring force. Release by applying voltage to the guard locking solenoid.

Switching elements

SK For monitoring the door/actuator position.

ÜK Monitoring contact for monitoring the guard locking (built-in solenoid).

1211S Slow-action switching contact 2 NC \ominus + 1 NC + 2 NO

Auxiliary release

This releases the guard locking after operation with a triangular key (included).

Approvals



Mechanical values and environment

Housing material	Reinforced thermoplastic
Weight	
	Net 0,5 kg
Ambient temperature	-20 ... 50 °C
Degree of protection	IP67
Mechanical life	1 x 10 ⁶
Contact material	Silver alloy, gold flashed
Switching principle	Slow-action switching contact
Installation position	Any
Number of door position positively driven contacts	2
Number of door position NO contacts	1
Number of guard lock monitoring NC contacts	1
Number of guard lock monitoring NO contacts	1
Connection	Connection cable 5m
Approach speed	0,05 ... 1 m/min
Actuation frequency	900 1/h
Guard locking principle	Closed-circuit current principle
Locking force F _{max}	500 N
Retention force	1 N
Extraction force	10 N
Actuating force	5 N
Insertion depth	26,3 mm

Electrical connection ratings

Rated thermal current I _{th}	2,5 A
Utilization category according to EN 60947-5-1	
	AC-15 0.75A 250V 1A 125V
	DC-13 0.27A 250V 0.22A 125V
Solenoid operating voltage	
	DC 24 V -15% ... +10%
Short circuit protection according to IEC 60269-1	

	(Fuse)	2A gG
Rated insulation voltage U _i		250 V
Rated impulse withstand voltage U _{imp}		2,5 kV
Switching voltage		
	Min. at 10mA	12 V
Switching current		
	Min. at 24V	1 mA
Power consumption		2,7 W
Solenoid duty cycle		100 %

Reliability values acc. to EN ISO 13849-1

	Monitoring of the position of the safety guard
B10 _D	2 x 10 ⁶
	Control of the guard locking
Category	Depending on external control of guard locking
Performance Level	Depending on external control of guard locking
PFH _D	Depending on external control of guard locking

in combination with Actuator BETAETIGER-Q-GT, RADIUSBETAETIGER-Q-RO, RADIUSBETAETIGER-Q-LU, BETAETIGER-Q-WT

Mechanical values and environment

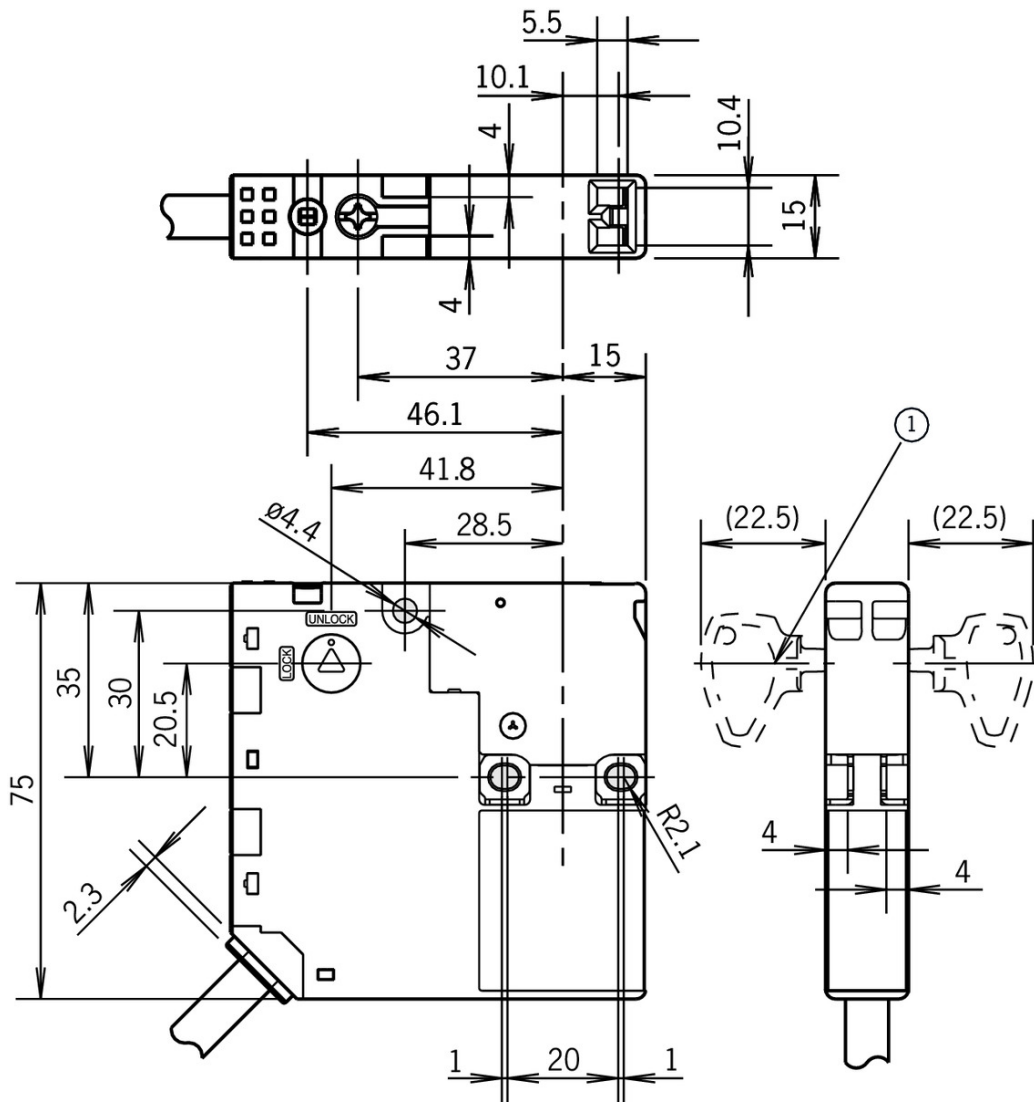
Overtravel A B C D E	1,9 mm
----------------------	--------

in combination with Actuator BETAETIGER-Q-WTB

Mechanical values and environment

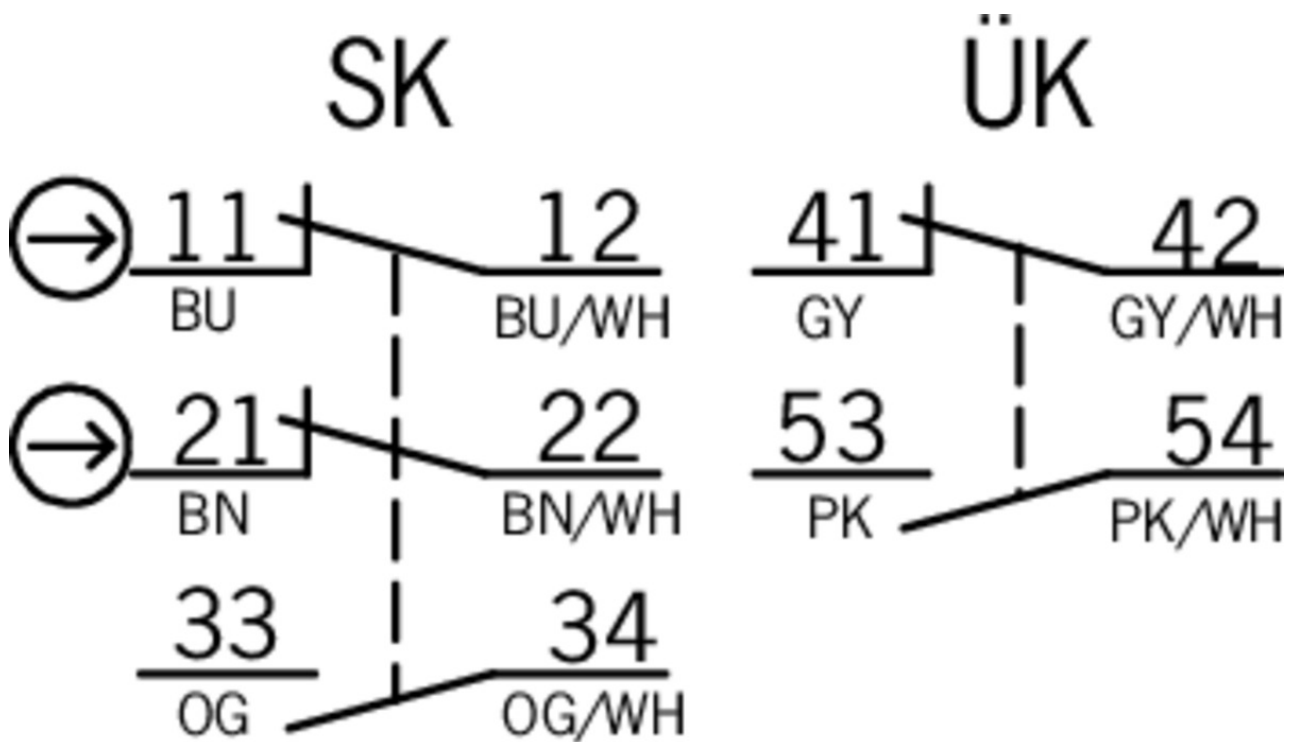
Overtravel A B C D E	1,3 mm
----------------------	--------

Dimension drawing



Legende

1 Triangular key



Actuator

- Actuator for safety switches NQ/TQ



103389 BETAETIGER-Q-WT

Features

- With rubber bush
- Minimum door radius 160 mm
- Maximum locking force 500 N
- Mounting aid included



103386 BETAETIGER-Q-GT

Features

- With rubber bush
- Minimum door radius 160 mm
- Maximum locking force 500 N
- Mounting aid included



103390 BETAETIGER-Q-WTB

Features

- With rubber bush
- Minimum door radius 160 mm
- Maximum locking force 500 N
- With mounting plate
- Mounting aid included

- Hinged actuator right/top for safety switches NQ/TQ



103387 RADIUSBETAETIGER-Q-RO

Features

- › Minimum door radius 50 mm
- › For doors hinged on right and at top
- › Maximum locking force 500 N
- › Mounting aid included

▼ Hinged actuator left/bottom for safety switches NQ/TQ



103388 RADIUSBETAETIGER-Q-LU

Features

- › Minimum door radius 50 mm
- › For doors hinged on left and at bottom
- › Maximum locking force 500 N
- › Mounting aid included

Instructions

▼ Betriebsanleitung Sicherheitsschalter TQ...

	Doc. no.	Version	Language	Download
Betriebsanleitung Sicherheitsschalter TQ...	103787	07-07/15		2.6 MB
Manual de instrucciones Interruptor de seguridad TQ...				
Mode d'emploi Interrupteur de sécurité TQ...				
Istruzioni di impiego Finecorsa di sicurezza TQ...				
Operating Instructions Safety Switch TQ...				

Catalogs

▼ Sicherheitsschalter NQ/TQ

	Doc. no.	Version	Language	Download
Sicherheitsschalter NQ/TQ	103699	05-03/16		0.6 MB
Safety Switches NQ/TQ				

Declaration of conformity

▼ EU-Konformitätserklärung

	Doc. no.	Version	Language	Download
EU-Konformitätserklärung	2105755	08-03/17		0.2 MB
Declaración UE de conformidad				
Déclaration UE de conformité				
Dichiarazione di conformità				
EU declaration of conformity				

CAD data

CAD data for this item on TraceParts

