

## ITEM 082965 TX3C-A024RC18

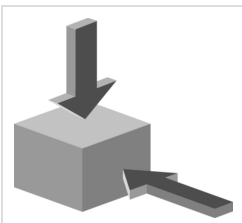
Description	Technical data	Accessories	Downloads
-------------	----------------	-------------	-----------



### Features

- › Auxiliary release on the front
- › Release under load possible
- › With door monitoring contact
- › Plug connector M23 (RC18)

### Approach direction



- › Figure  
Horizontal and vertical  
Can be adjusted in 90° steps

### Solenoid operating voltage

- › AC/DC 24 V +10%, -15%

## LED function display

The switch has a function display (2 LEDs, red and green). The LED voltage is same as the solenoid operating voltage.

## Guard locking type

**TX3** Closed-circuit current principle, guard locking by spring force. Release by applying voltage to the solenoid. Release under load possible.

## Switching element

**ETX** Slow-action switching contact 2 NC  $\ominus$  / 1 NO + 1 NO (door monitoring  
**C** contact)

## Auxiliary release

Is used for releasing the guard locking with the aid of a tool. The auxiliary release must be sealed to prevent tampering (for example with sealing lacquer).

## Approvals



## Mechanical values and environment

Housing material	Die-cast alloy, cathodically dipped
Weight	Net 0,8 kg
Ambient temperature	-20 ... 80 °C
Degree of protection	IP65
Mechanical life	1 x 10 <sup>6</sup>
Contact material	Silver alloy, gold flashed
Switching principle	Slow-action switching contact
Installation position	Any
Number of door position NO contacts	1
Number of guard lock monitoring positively driven contacts	2
Number of guard lock monitoring NO contacts	1
Connection	1 x Plug connector RC18 [1]
Approach speed	max. 20 m/min
Actuation frequency	1200 1/h

Guard locking principle	Closed-circuit current principle [2]
Locking force $F_{max}$	1700 N
Locking force $F_{Zh}$	1300 N
Retention force	min.50 N [3]
Extraction force	35 N
Actuating force	35 N
Insertion depth	min.32 mm

### Electrical connection ratings

Rated thermal current $I_{th}$	4 A [4]
Utilization category according to EN 60947-5-1	AC-15 4A 24V [5] DC-13 4A 24V [6]
Solenoid operating voltage	AC/DC 24 V -15% ... +10%
Short circuit protection according to IEC 60269-1	(Fuse) 4A gG [7]
Rated insulation voltage $U_i$	50 V
Rated impulse withstand voltage $U_{imp}$	1,5 kV
Switching voltage	Min. at 10mA 12 V
Switching current	Min. at 24V 1 mA
Power consumption	8 W [8]
Solenoid duty cycle	100 %
LED indicator	Operating voltage corresponds to the solenoid voltage [9]

### Reliability values acc. to EN ISO 13849-1

	Control of the guard locking
Category	Depending on external control of guard locking [10]
Performance Level	Depending on external control of guard locking [11]
PFH <sub>D</sub>	Depending on external control of guard locking [12]
	Monitoring of guard locking and the safety guard position
B10 <sub>D</sub>	$6 \times 10^6$

in combination with Actuator BETAETIGER-X-GQ, 079740

### Mechanical values and environment

Overtravel	1 mm
------------	------

in combination with Actuator BETAETIGER-X-GNQ, 079742, 098082, 097906

## Mechanical values and environment

Overtravel	8 mm
------------	------

[1] 18-pin + PE

[2, 3] Unlocking under load

[4, 5, 6]  $> 70^{\circ}\text{C} \Rightarrow 2\text{A}$

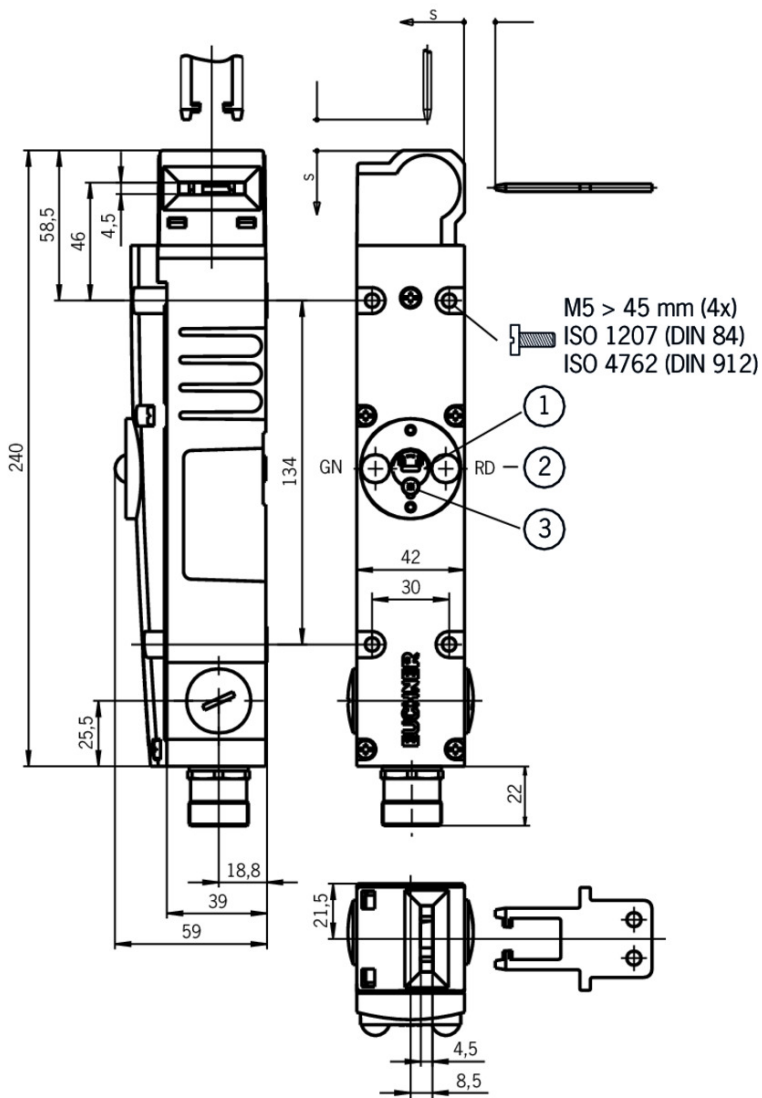
[7]  $> 70^{\circ}\text{C} \Rightarrow 2\text{A gG}$

[8] At the instant switched on 48W

[9] 2 LEDs; green, red

[10, 11, 12] LEDs have the same ground potential as the guard locking solenoid.

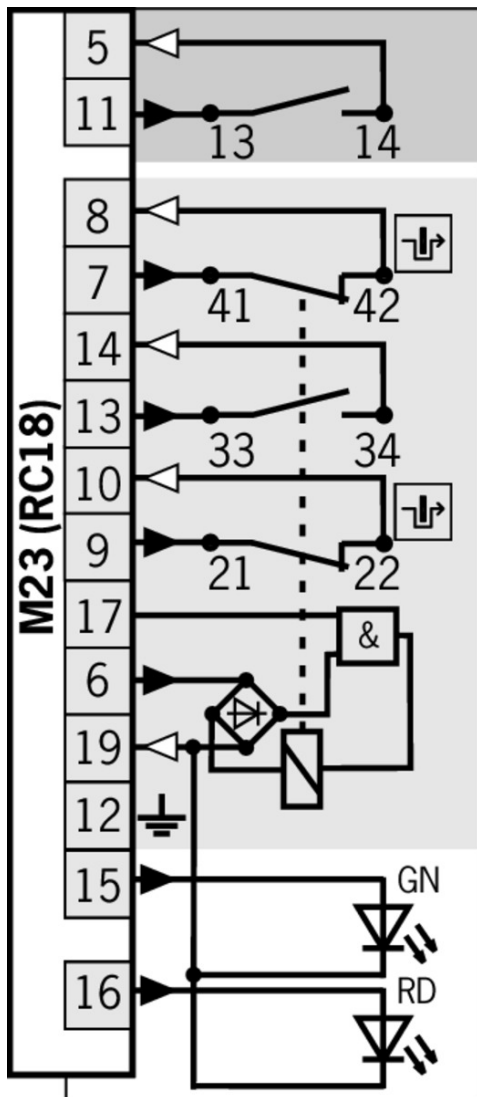
## Dimension drawing



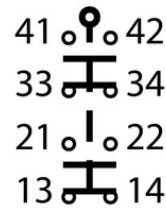
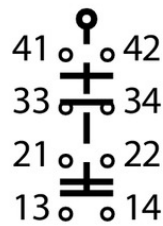
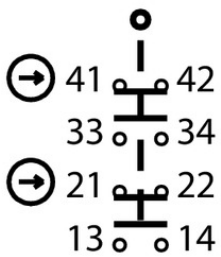
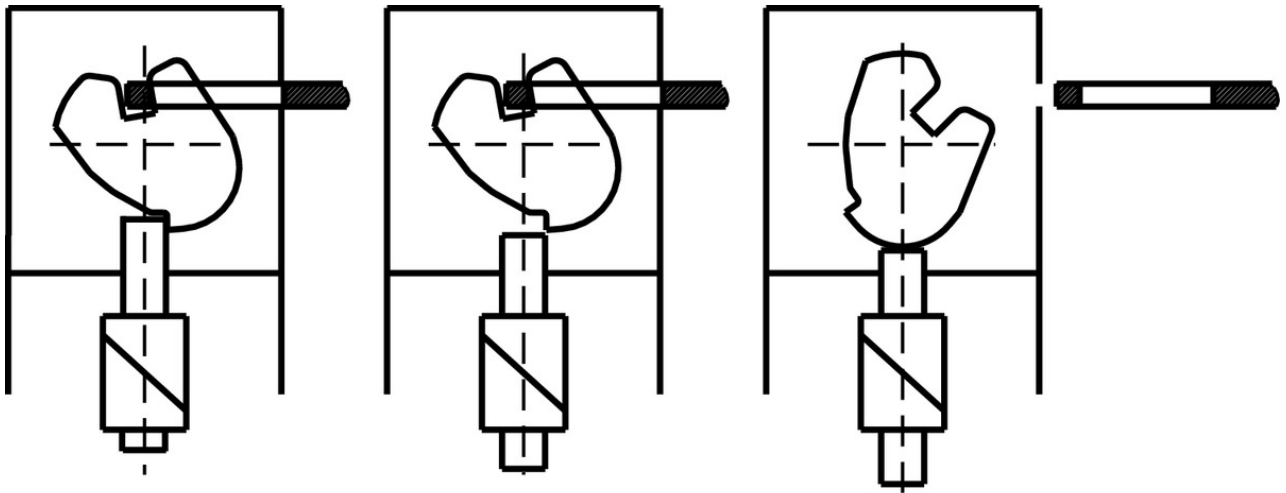
## Legende

- 1 Auxiliary release
- 2 LED indicator
- 3 Locking screw

ETX C



## Switching functions



ETX C

## Function expansion

- ☑ Lock for mechanical release for safety switches TX



**079795** SCHLOSS TX GLEICHSCHLIESSEND



**079796** SCHLOSS TX VERSCHIEDENSCHLIESSEND

- ☑ Lockout mechanism NX/TX



**096098** SPERREINSATZ TX

- ☑ Features

- › Prevents unintentional closing of the door
- › Can be secured with padlocks

- ☑ Emergency unlocking for safety switches TX



**094771** NOTENTSPERRUNG TX

- ☑ Release with automatic reset for safety switches TX

**094773** ENTRIEGELUNG RUECKSTELLEND TX1/3



## Mounting accessories

---

- ▼ Mounting plates EMP-B2 for actuators for safety switches CTP, TP...A, STA, STP, TX and TZ



**093458** EMP-B2

- ▼ Mounting plates EMP-SB for safety switches CTP, TP...A, STA, STP and TX



**093456** EMP-SB

- ▼ Features

- › For vertical and horizontal mounting of safety switches TP...A, STA, STP and TX

- ▼ Mounting plates EMP-B1 for actuators for safety switches CTP, TP...A, STA, STP, TX and TZ



**093457** EMP-B1

## Bolt

---

- ▼ Bolt TX-A for safety switches TX and NX



**082990** RIEGEL TX-A

- ▼ Features

- › Steel bolt
- › For doors hinged on the right
- › Can be locked in open position with padlocks
- › Actuator and switch bracket included

- ▼ Bolt TX-C for safety switches TX and NX



**082991** RIEGEL TX-C

- ▼ Features

- › Steel bolt
- › For doors hinged on the left
- › Can be locked in open position with padlocks
- › Actuator and switch bracket included

## Actuator

---

- ▼ Bent actuator for safety switches NX/TX



**079740** BETAETIGER-X-WQ

- ▼ Features

- › Actuators made of stainless steel
- › Two stainless safety screws per actuator



- › With rubber bush
- 

▼ Actuators for safety switches NX/TX



**079739** BETAETIGER-X-GQ

▼ Features

- › Actuators made of stainless steel
  - › Two stainless safety screws per actuator
  - › With rubber bush
- 

▼ Actuators for safety switches NX/TX, increased overtravel



**079741** BETAETIGER-X-GNQ

▼ Features

- › Actuators made of stainless steel
  - › Two stainless safety screws per actuator
  - › With rubber bush
- 

▼ Bent actuator for safety switches NX/TX, increased overtravel



**079742** BETAETIGER-X-WNQ

▼ Features

- › Actuators made of stainless steel
  - › Two stainless safety screws per actuator
  - › With rubber bush
- 

▼ Hinged actuator left/right for safety switches NX/TX



**098082** RADIUSBETAETIGER-X-LR-N

▼ Features

- › Actuators made of stainless steel
  - › Two stainless safety screws per actuator
- 

▼ Hinged actuator top/bottom for safety switches NX/TX



**097906** RADIUSBETAETIGER-X-OU-N

▼ Features

- › Actuators made of stainless steel
  - › Two stainless safety screws per actuator
- 

## Spare parts

---

▼ Lead seal kit

**087256** PLOMBENSATZ C1937

---

## Connection material

---

### Female plug RC18 straight



#### **074616** RC18EF

##### Features

- › Plug connector M23, straight
  - › Number of pins: 19-pin with screen bonding clamp
- 

### Female plug RC18 angled



#### **074617** RC18WF

##### Features

- › Plug connector M23, angled
  - › Number of pins: 19-pin with screen bonding clamp
- 

### Replacement crimp contacts for female connector RC18

#### **094309** CRIMPKONTAKT BUCHSE RCF

##### Features

- › 19 crimp sockets
  - › Conductor cross-section 19 x 0.75 - 1 mm<sup>2</sup>
  - › For plug connector RC18
- 

### Female plug RC18 straight with option C1825



#### **077025** RC18EF-C1825

##### Features

- › Plug connector M23, straight
  - › Number of pins: 19-pin with screen bonding clamp
- 

### Female connector RC18 angled with option C1825



#### **077026** RC18WF-C1825

##### Features

- › Plug connector M23, angled
  - › Number of pins: 19-pin with screen bonding clamp
- 

### Replacement crimp contacts for female connector RC18 with option C1825

#### **094310** CRIMPKONTAKT BUCHSE RCF-C1825

##### Features

- › 19 crimp sockets
  - › Conductor cross-section 16 x 0.25 - 0.5 mm<sup>2</sup> and 3 x 0.75 - 1 mm<sup>2</sup>
  - › For plug connector RC18..C1825
- 

### Connection cable with plug connector M23 with option C1825, 1.5m, straight



#### **092761** C-M23F19-19XDIFPU01,5-MA-092761

##### Features

- › M23 plug connector, 18-pin + PE

- › Straight plug connector
  - › PUR cable
  - › Cable length 1.5 m
  - › With flying lead
  - › Cores color-coded
- 

▼ Connection cable with plug connector M23 with option C1825, 1.5m, angled



**092906** C-M23F19-19XDIFPU01,5-MA-092906

▼ Features

- › M23 plug connector, 18-pin + PE
  - › Angled plug connector
  - › Cable exit C (left)
  - › PUR cable
  - › Cable length 1.5 m
  - › With flying lead
  - › Cores color-coded
- 



**092907** C-M23F19-19XDIFPU01,5-MA-092907

▼ Features

- › M23 plug connector, 18-pin + PE
  - › Angled plug connector
  - › Cable exit A (right)
  - › PUR cable
  - › Cable length 1.5 m
  - › With flying lead
  - › Cores color-coded
- 

▼ Connection cable with plug connector M23 with option C1825, 3m, straight



**092816** C-M23F19-19XDIFPU03,0-MA-092816

▼ Features

- › M23 plug connector, 18-pin + PE
  - › Straight plug connector
  - › PUR cable
  - › Cable length 3 m
  - › With flying lead
  - › Cores color-coded
- 

▼ Connection cable with plug connector M23 with option C1825, 3m, angled



**092908** C-M23F19-19XDIFPU03,0-MA-092908

▼ Features

- › M23 plug connector, 18-pin + PE
  - › Angled plug connector
  - › Cable exit C (left)
  - › PUR cable
  - › Cable length 3 m
  - › With flying lead
  - › Cores color-coded
- 

**092909** C-M23F19-19XDIFPU03,0-MA-092909

▼ Features



- › M23 plug connector, 18-pin + PE
  - › Angled plug connector
  - › Cable exit A (right)
  - › PUR cable
  - › Cable length 3 m
  - › With flying lead
  - › Cores color-coded
- 

☑ Connection cable with plug connector M23 with option C1825, 6m, straight



**077014** C-M23F19-19XDIFPU06,0-MA-077014

☑ Features

- › M23 plug connector, 18-pin + PE
  - › Straight plug connector
  - › PUR cable
  - › Cable length 6 m
  - › With flying lead
  - › Cores color-coded
- 

☑ Connection cable with plug connector M23 with option C1825, 6m, angled



**077018** C-M23F19-19XDIFPU06,0-MA-077018

☑ Features

- › M23 plug connector, 18-pin + PE
  - › Angled plug connector
  - › Cable exit C (left)
  - › PUR cable
  - › Cable length 6 m
  - › With flying lead
  - › Cores color-coded
- 



**085194** C-M23F19-19XDIFPU06,0-MA-085194

☑ Features

- › M23 plug connector, 18-pin + PE
  - › Angled plug connector
  - › Cable exit A (right)
  - › PUR cable
  - › Cable length 6 m
  - › With flying lead
  - › Cores color-coded
- 

☑ Connection cable with plug connector M23 with option C1825, 8m, straight



**077015** C-M23F19-19XDIFPU08,0-MA-077015

☑ Features

- › M23 plug connector, 18-pin + PE
  - › Straight plug connector
  - › PUR cable
  - › Cable length 8 m
  - › With flying lead
  - › Cores color-coded
-

▼ Connection cable with plug connector M23 with option C1825, 8m, angled



**077019** C-M23F19-19XDIFPU08,0-MA-077019

▼ Features

- › RC18 plug connector, 18-pin + PE
- › Angled plug connector
- › Cable exit C (left)
- › PUR cable
- › Cable length 8 m
- › With flying lead
- › Cores color-coded



**085195** C-M23F19-19XDIFPU08,0-MA-085195

▼ Features

- › M23 plug connector, 18-pin + PE
- › Angled plug connector
- › Cable exit A (right)
- › PUR cable
- › Cable length 8 m
- › With flying lead
- › Cores color-coded

▼ Connection cable with plug connector M23 with option C1825, 10m, straight



**092898** C-M23F19-19XDIFPU10,0-MA-092898

▼ Features

- › M23 plug connector, 18-pin + PE
- › Straight plug connector
- › PUR cable
- › Cable length 10 m
- › With flying lead
- › Cores color-coded

▼ Connection cable with plug connector M23 with option C1825, 10m, angled



**092901** C-M23F19-19XDIFPU10,0-MA-092901

▼ Features

- › M23 plug connector, 18-pin + PE
- › Angled plug connector
- › Cable exit C (left)
- › PUR cable
- › Cable length 10 m
- › With flying lead
- › Cores color-coded



**092902** C-M23F19-19XDIFPU10,0-MA-092902

▼ Features

- › M23 plug connector, 18-pin + PE
- › Angled plug connector
- › Cable exit A (right)
- › PUR cable
- › Cable length 10 m
- › With flying lead
- › Cores color-coded

- 
- ▼ Connection cable with plug connector M23 with option C1825, 15m, straight



**077016** C-M23F19-19XDIFPU15,0-MA-077016

▼ Features

- › M23 plug connector, 18-pin + PE
- › Straight plug connector
- › PUR cable
- › Cable length 15 m
- › With flying lead
- › Cores color-coded

- 
- ▼ Connection cable with plug connector M23 with option C1825, 15m, angled



**077020** C-M23F19-19XDIFPU15,0-MA-077020

▼ Features

- › M23 plug connector, 18-pin + PE
- › Angled plug connector
- › Cable exit C (left)
- › PUR cable
- › Cable length 15 m
- › With flying lead
- › Cores color-coded



**085196** C-M23F19-19XDIFPU15,0-MA-085196

▼ Features

- › M23 plug connector, 18-pin + PE
- › Angled plug connector
- › Cable exit A (right)
- › PUR cable
- › Cable length 15 m
- › With flying lead
- › Cores color-coded

- 
- ▼ Connection cable with plug connector M23 with option C1825, 20m, straight



**092726** C-M23F19-19XDIFPU20,0-MA-092726

▼ Features

- › M23 plug connector, 18-pin + PE
- › Straight plug connector
- › PUR cable
- › Cable length 20 m
- › With flying lead
- › Cores color-coded

- 
- ▼ Connection cable with plug connector M23 with option C1825, 20m, angled



**092910** C-M23F19-19XDIFPU20,0-MA-092910

▼ Features

- › M23 plug connector, 18-pin + PE
- › Angled plug connector
- › Cable exit C (left)
- › PUR cable

- › Cable length 20 m
- › With flying lead
- › Cores color-coded



**092911** C-M23F19-19XDIFPU20,0-MA-092911

▣ Features

- › M23 plug connector, 18-pin + PE
- › Angled plug connector
- › Cable exit A (right)
- › PUR cable
- › Cable length 20 m
- › With flying lead
- › Cores color-coded

▣ Connection cable with plug connector M23 with option C1825, 25m, straight



**092727** C-M23F19-19XDIFPU25,0-MA-092727

▣ Features

- › M23 plug connector, 18-pin + PE
- › Straight plug connector
- › PUR cable
- › Cable length 25 m
- › With flying lead
- › Cores color-coded

▣ Connection cable with plug connector M23 with option C1825, 25m, angled



**092912** C-M23F19-19XDIFPU25,0-MA-092912

▣ Features

- › M23 plug connector, 18-pin + PE
- › Angled plug connector
- › Cable exit C (left)
- › PUR cable
- › Cable length 25 m
- › With flying lead
- › Cores color-coded



**092913** C-M23F19-19XDIFPU25,0-MA-092913

▣ Features

- › M23 plug connector, 18-pin + PE
- › Angled plug connector
- › Cable exit A (right)
- › PUR cable
- › Cable length 25 m
- › With flying lead
- › Cores color-coded

▣ Connection cable with plug connector M23 with option C1825, 30m, straight



**095993** C-M23F19-19XDIFPU30,0-MA-095993

▣ Features

- › M23 plug connector, 18-pin + PE
- › Straight plug connector

- › PUR cable
  - › Cable length 30 m
  - › With flying lead
  - › Cores color-coded
- 

▼ Connection cable with plug connector M23 with option C1825, 40m, straight



**102490** C-M23F19-19XDIFPU40,0-MA-102490

▼ Features

- › M23 plug connector, 18-pin + PE
  - › Straight plug connector
  - › PUR cable
  - › Cable length 40 m
  - › With flying lead
  - › Cores color-coded
- 

▼ Connection cable with plug connector M23, 19-pin, 1.5m, straight



**110301** C-M23F19-19XDIFPU01,5-MA-110301

▼ Features

- › M23 female plug, 19-pin
  - › Straight plug connector
  - › PUR cable
  - › Cable length 1.5 m
  - › With flying lead
  - › Cores numbered, black
- 

▼ Connection cable with plug connector M23, 19-pin, 3m, straight



**110302** C-M23F19-19XDIFPU03,0-MA-110302

▼ Features

- › M23 female plug, 19-pin
  - › Straight plug connector
  - › PUR cable
  - › Cable length 3 m
  - › With flying lead
  - › Cores numbered, black
- 

▼ Connection cable with plug connector M23, 19-pin, 6m, straight



**110303** C-M23F19-19XDIFPU06,0-MA-110303

▼ Features

- › M23 female plug, 19-pin
  - › Straight plug connector
  - › PUR cable
  - › Cable length 6 m
  - › With flying lead
  - › Cores numbered, black
- 

▼ Connection cable with plug connector M23, 19-pin, 10m, straight



**110304** C-M23F19-19XDIFPU10,0-MA-110304



- ▼ Features
    - › M23 female plug, 19-pin
    - › Straight plug connector
    - › PUR cable
    - › Cable length 10 m
    - › With flying lead
    - › Cores numbered, black
- 

- ▼ Connection cable with plug connector M23, 19-pin, 15m, straight



**110305** C-M23F19-19XDIFPU15,0-MA-110305

- ▼ Features
    - › M23 female plug, 19-pin
    - › Straight plug connector
    - › PUR cable
    - › Cable length 15 m
    - › With flying lead
    - › Cores numbered, black
- 

- ▼ Connection cable with plug connector M23, 19-pin, 20m, straight



**110306** C-M23F19-19XDIFPU20,0-MA-110306

- ▼ Features
    - › M23 female plug, 19-pin
    - › Straight plug connector
    - › PUR cable
    - › Cable length 20 m
    - › With flying lead
    - › Cores numbered, black
- 

- ▼ Connection cable with plug connector M23, 19-pin, 25m, straight



**110307** C-M23F19-19XDIFPU25,0-MA-110307

- ▼ Features
    - › M23 female plug, 19-pin
    - › Straight plug connector
    - › PUR cable
    - › Cable length 25 m
    - › With flying lead
    - › Cores numbered, black
- 

## Instructions

- ▼ Betriebsanleitung Sicherheitsschalter TX...

**Doc. no.**   **Version**   **Language**   **Download**

Betriebsanleitung Sicherheitsschalter TX...	079777	07-01/17		4.4 MB
Mode d'emploi pour les interrupteurs de sécurité TX...				
Istruzioni di impiego dei finecorsa di sicurezza TX...				
Operating Instructions Safety Switches TX...				

## Catalogs

- Sicherheitsschalter mit Metallgehäuse Safety Switches with Metal Housing Bezpečnostní spínače s kovovým pouzdrém Interrupteurs de sécurité avec boîtier métallique 金属壳体 的安全开关 Interruptores de seguridad con carcasa metálica

	Doc. no.	Version	Language	Download
Sicherheitsschalter mit Metallgehäuse	100319	11-03/18		7.9 MB
Interrupteurs de sécurité avec boîtier métallique	100676	11-03/18		7.9 MB
Interruptores de seguridad con carcasa metálica	104856	11-03/18		14.0 MB
Safety Switches with Metal Housing	100369	11-03/18		7.9 MB
Bezpečnostní spínače s kovovým pouzdrém	121650	11-03/18		7.9 MB
金属壳体 的安全开关	102453	11-03/18		8.2 MB

## Declaration of conformity

- EU prohlášení o shodě

	Doc. no.	Version	Language	Download
EU-Konformitätserklärung Declaración UE de conformidad Déclaration UE de conformité Dichiarazione di conformità EU declaration of conformity	2077153	25-02/17	    	0.3 MB
EU prohlášení o shodě EU-overensstemmelseserklæring Δήλωση συμμόρφωσης της ΕΕ EU-vaatimustenmukaisuusvakuutus EU-típusbizonyítvány EU-conformiteitsverklaring Deklaracja zgodności UE Declaração de Conformidade UE Declarația de conformitate UE EÚ vyhlásenie o zhode	2077153	25-02/17	         	0.5 MB

## CAD data

CAD data for this item on TraceParts