

## ITEM 085384 TX1C-A110M

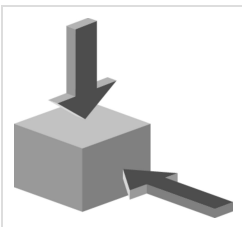
Description	Technical data	Accessories	Downloads
-------------	----------------	-------------	-----------



### Features

- › Auxiliary release on the front
- › With door monitoring contact

### Approach direction



- › Figure  
Horizontal and vertical  
Can be adjusted in 90° steps

### Solenoid operating voltage

- › AC 110 V +10%, -15%

### LED function display

The switch has a function display (2 LEDs, red and green). The LED voltage is same as the solenoid operating voltage.

---

### Guard locking type

**TX1** Closed-circuit current principle, guard locking by spring force. Release by applying voltage to the solenoid.

---

### Switching element

**ETX** Slow-action switching contact 2 NC  $\rightarrow$  / 1 NO + 1 NO (door monitoring contact)  
**C**

---

### Auxiliary release

Is used for releasing the guard locking with the aid of a tool. The auxiliary release must be sealed to prevent tampering (for example with sealing lacquer).

### Approvals



### Mechanical values and environment

Housing material	Die-cast alloy, cathodically dipped
Weight	Net 0,8 kg
Ambient temperature	-20 ... 80 °C
Degree of protection	IP67
Mechanical life	1 x 10 <sup>6</sup>
Contact material	Silver alloy, gold flashed
Switching principle	Slow-action switching contact
Installation position	Any
Number of door position NO contacts	1
Number of guard lock monitoring positively driven contacts	2
Number of guard lock monitoring NO contacts	1
Connection	3 x M20 x 1.5
Approach speed	max. 20 m/min
Actuation frequency	1200 1/h
Guard locking principle	Closed-circuit current principle
Locking force F <sub>max</sub>	1700 N

Locking force $F_{Zh}$	1300 N
Retention force	20 N
Extraction force	35 N
Actuating force	35 N
Insertion depth	min.32 mm

### Electrical connection ratings

Rated thermal current $I_{th}$	4 A
Utilization category according to EN 60947-5-1	AC-15 4A 230V DC-13 4A 24V
Solenoid operating voltage	AC 110 V -15% ... +10%
Short circuit protection according to IEC 60269-1	(Fuse) 4A gG
Rated insulation voltage $U_i$	250 V
Rated impulse withstand voltage $U_{imp}$	2,5 kV
Switching voltage	Min. at 10mA 12 V
Switching current	Min. at 24V 1 mA
Power consumption	10 W
Solenoid duty cycle	100 %
Connection cross-section	0,34 ... 1,5 mm <sup>2</sup>
LED indicator	Operating voltage corresponds to the solenoid voltage [1]

### Reliability values acc. to EN ISO 13849-1

	Control of the guard locking
Category	Depending on external control of guard locking [2]
Performance Level	Depending on external control of guard locking [3]
PFH <sub>D</sub>	Depending on external control of guard locking [4]
	Monitoring of guard locking and the safety guard position
B10 <sub>D</sub>	$6 \times 10^6$

in combination with Actuator BETAETIGER-X-GQ, 079740

### Mechanical values and environment

Overtravel	1 mm
------------	------

in combination with Actuator BETAETIGER-X-GNQ, 079742, 098082, 097906

## Mechanical values and environment

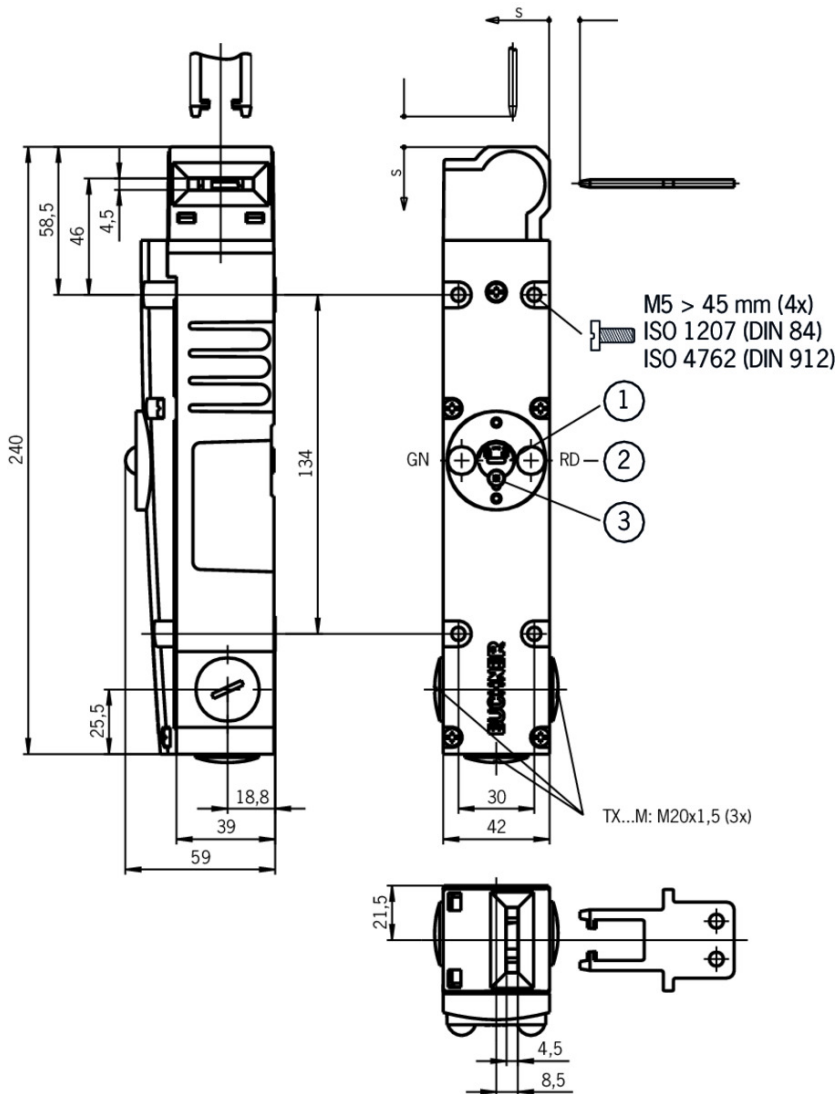
Overtravel

8 mm

[1] 2 LEDs; green, red

[2, 3, 4] LEDs have the same ground potential as the guard locking solenoid.

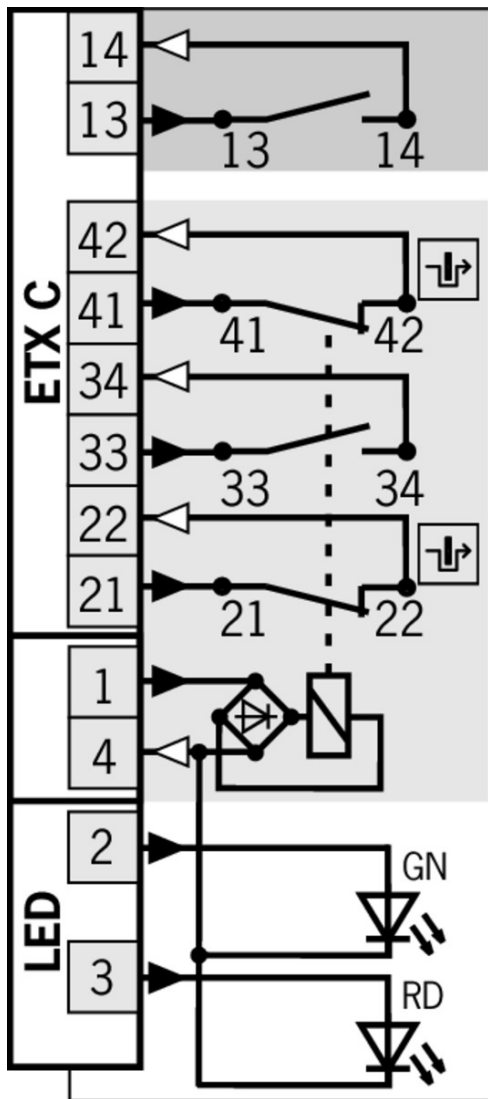
## Dimension drawing



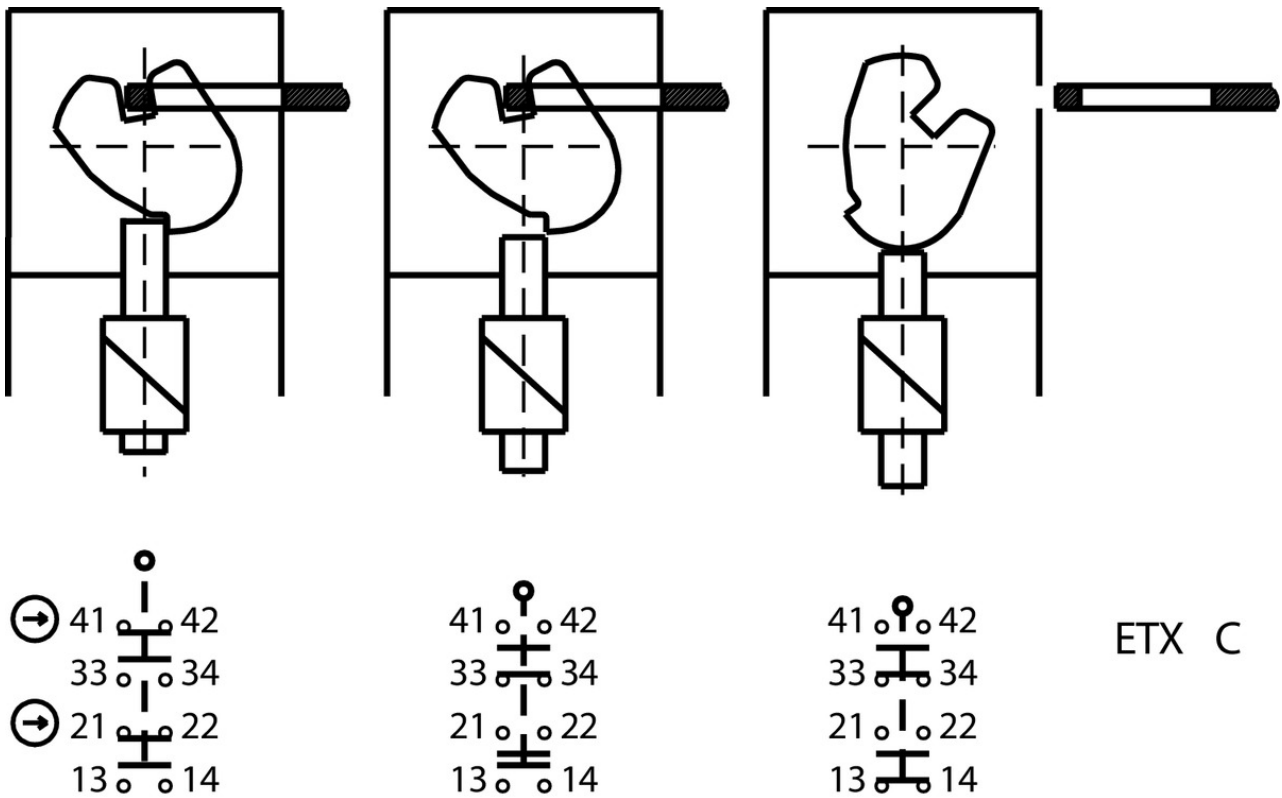
## Legende

- 1 Auxiliary release
- 2 LED indicator
- 3 Locking screw

ETX C



## Switching functions



## Mounting accessories

- ✓ Mounting plates EMP-B2 for actuators for safety switches CTP, TP...A, STA, STP, TX and TZ



**093458** EMP-B2

- ✓ Mounting plates EMP-B1 for actuators for safety switches CTP, TP...A, STA, STP, TX and TZ



**093457** EMP-B1

- ✓ Mounting plates EMP-SB for safety switches CTP, TP...A, STA, STP and TX



**093456** EMP-SB

✓ Features

- › For vertical and horizontal mounting of safety switches TP...A, STA, STP and TX

## Function expansion

- ✓ Lockout mechanism NX/TX



**096098** SPERREINSATZ TX

✓ Features

- › Prevents unintentional closing of the door
- › Can be secured with padlocks

---

▼ Emergency unlocking for safety switches TX



**094771** NOTENTSPERRUNG TX

---

▼ Release with automatic reset for safety switches TX



**094773** ENTRIEGELUNG RUECKSTELLEND TX1/3

---

▼ Lock for mechanical release for safety switches TX



**079796** SCHLOSS TX VERSCHIEDENSCHLIESSEND



**079795** SCHLOSS TX GLEICHSCHLIESSEND

---

## Actuator

---

▼ Bent actuator for safety switches NX/TX, increased overtravel



**079742** BETAETIGER-X-WNQ

▼ Features

- › Actuators made of stainless steel
- › Two stainless safety screws per actuator
- › With rubber bush

---

▼ Hinged actuator left/right for safety switches NX/TX



**098082** RADIUSBETAETIGER-X-LR-N

▼ Features

- › Actuators made of stainless steel
- › Two stainless safety screws per actuator

---

▼ Actuators for safety switches NX/TX, increased overtravel



**079741** BETAETIGER-X-GNQ

▼ Features

- › Actuators made of stainless steel
- › Two stainless safety screws per actuator
- › With rubber bush

---

▼ Bent actuator for safety switches NX/TX



#### **079740** BETAETIGER-X-WQ

##### ✓ Features

- › Actuators made of stainless steel
  - › Two stainless safety screws per actuator
  - › With rubber bush
- 

#### ✓ Actuators for safety switches NX/TX



#### **079739** BETAETIGER-X-GQ

##### ✓ Features

- › Actuators made of stainless steel
  - › Two stainless safety screws per actuator
  - › With rubber bush
- 

#### ✓ Hinged actuator top/bottom for safety switches NX/TX



#### **097906** RADIUSBETAETIGER-X-OU-N

##### ✓ Features

- › Actuators made of stainless steel
  - › Two stainless safety screws per actuator
- 

## Bolt

---

#### ✓ Bolt TX-A for safety switches TX and NX



#### **082990** RIEGEL TX-A

##### ✓ Features

- › Steel bolt
  - › For doors hinged on the right
  - › Can be locked in open position with padlocks
  - › Actuator and switch bracket included
- 

#### ✓ Bolt TX-C for safety switches TX and NX



#### **082991** RIEGEL TX-C

##### ✓ Features

- › Steel bolt
  - › For doors hinged on the left
  - › Can be locked in open position with padlocks
  - › Actuator and switch bracket included
- 

## Connection material

---

#### ✓ Cable glands M20x1.5



#### **077683** EKVM20/06

---





**077684** EKVM20/09

## Spare parts

▼ Lead seal kit

**087256** PLOMBENSATZ C1937

## Instructions

▼ Betriebsanleitung Sicherheitsschalter TX...

	Doc. no.	Version	Language	Download
Betriebsanleitung Sicherheitsschalter TX...	079777	07-01/17		4.4 MB
Mode d'emploi pour les interrupteurs de sécurité TX...				
Istruzioni di impiego dei finecorsa di sicurezza TX...				
Operating Instructions Safety Switches TX...				

## Declaration of conformity

▼ EU prohlášení o shodě

	Doc. no.	Version	Language	Download
EU-Konformitätserklärung	2077153	25-02/17		0.3 MB
Declaración UE de conformidad				
Déclaration UE de conformité				
Dichiarazione di conformità				
EU declaration of conformity				
EU prohlášení o shodě	2077153	25-02/17		0.5 MB
EU-overensstemmelseserklæring				
Δήλωση συμμόρφωσης της ΕΕ				
EU-vaatimustenmukaisuusvakuutus				
EU-típusbizonyítvány				
EU-conformiteitsverklaring				
Deklaracja zgodności UE				
Declaração de Conformidade UE				
Declarația de conformitate UE				
EÚ vyhlásenie o zhode				

## CAD data

CAD data for this item on TraceParts