

ITEM 085388 TX2C-A110M

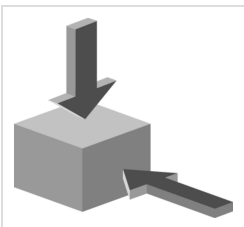
| Description | Technical data | Accessories | Downloads |
|-------------|----------------|-------------|-----------|
|-------------|----------------|-------------|-----------|



Features

- › Auxiliary release on the front
- › With door monitoring contact

Approach direction



- › Figure
Horizontal and vertical
Can be adjusted in 90° steps

Solenoid operating voltage

- › AC 110 V +10%, -15%

LED function display

The switch has a function display (2 LEDs, red and green). The LED voltage is same as the solenoid operating voltage.

Guard locking type

TX2 Open-circuit current principle, guard locking by applying voltage to the solenoid. Release by spring force.

Switching element

ETX Slow-action switching contact 2 NC \oplus / 1 NO + 1 NO (door monitoring
C contact)

Auxiliary release

Is used for releasing the guard locking with the aid of a tool. The auxiliary release must be sealed to prevent tampering (for example with sealing lacquer).

Approvals



Mechanical values and environment

| | |
|--|-------------------------------------|
| Housing material | Die-cast alloy, cathodically dipped |
| Weight | Net 0,8 kg |
| Ambient temperature | -20 ... 80 °C |
| Degree of protection | IP67 |
| Mechanical life | 1 x 10 ⁶ |
| Contact material | Silver alloy, gold flashed |
| Switching principle | Slow-action switching contact |
| Installation position | Any |
| Number of door position NO contacts | 1 |
| Number of guard lock monitoring positively driven contacts | 2 |
| Number of guard lock monitoring NO contacts | 1 |
| Connection | 3 x M20 x 1.5 |
| Approach speed | max. 20 m/min |
| Actuation frequency | 1200 1/h |
| Guard locking principle | Open-circuit current principle |
| Locking force F _{max} | 1700 N |

| | |
|------------------------|-----------|
| Locking force F_{Zh} | 1300 N |
| Retention force | 20 N |
| Extraction force | 35 N |
| Actuating force | 35 N |
| Insertion depth | min.32 mm |

Electrical connection ratings

| | |
|---|--|
| Rated thermal current I_{th} | 4 A |
| Utilization category according to EN 60947-5-1 | AC-15 4A 230V DC-13 4A 24V |
| Solenoid operating voltage | AC 110 V -15% ... +10% |
| Short circuit protection according to IEC 60269-1 | (Fuse) 4A gG |
| Rated insulation voltage U_i | 250 V |
| Rated impulse withstand voltage U_{imp} | 2,5 kV |
| Switching voltage | Min. at 10mA 12 V |
| Switching current | Min. at 24V 1 mA |
| Power consumption | 10 W |
| Solenoid duty cycle | 100 % |
| Connection cross-section | 0,34 ... 1,5 mm ² |
| LED indicator | Operating voltage corresponds to the solenoid voltage ^[1] |

Reliability values acc. to EN ISO 13849-1

| | |
|------------------|--|
| | Monitoring of guard locking and the safety guard position |
| B10 _D | 6×10^6 |

in combination with Actuator BETAETIGER-X-GQ, 079740

Mechanical values and environment

| | |
|------------|------|
| Overtravel | 1 mm |
|------------|------|

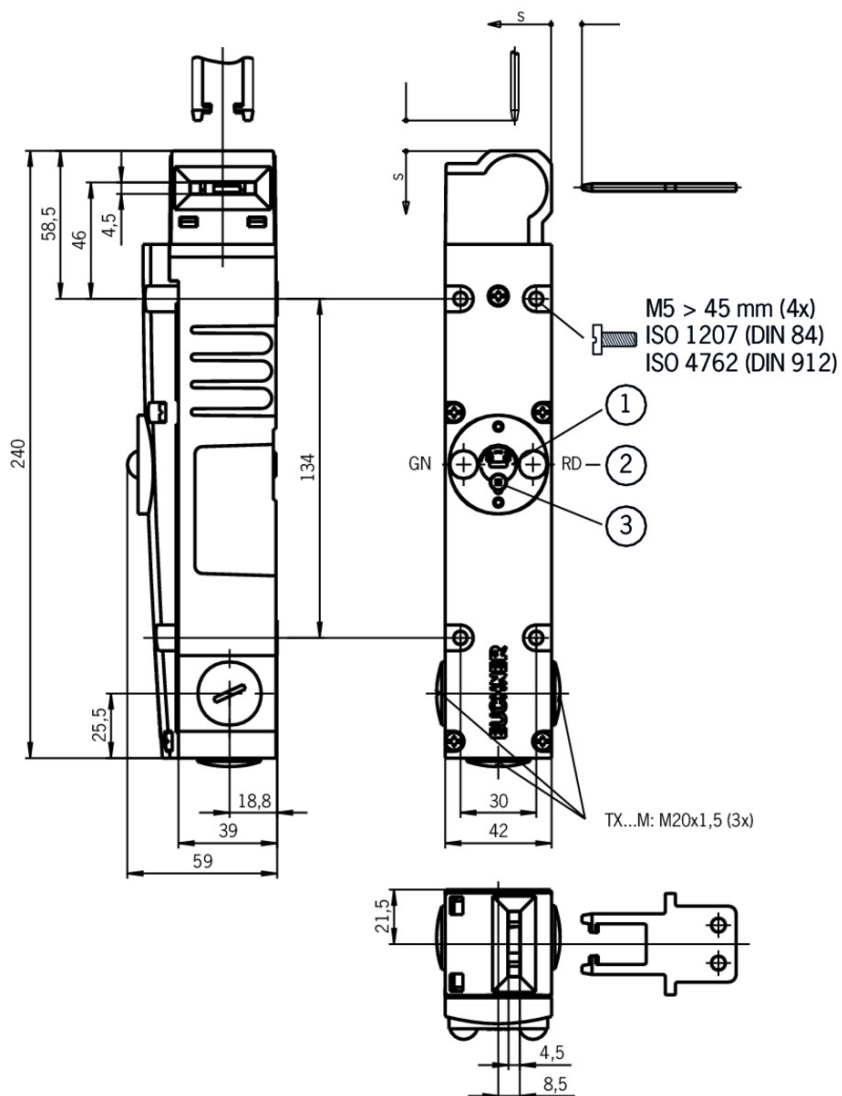
in combination with Actuator BETAETIGER-X-GNQ, 079742, 098082, 097906

Mechanical values and environment

| | |
|------------|------|
| Overtravel | 8 mm |
|------------|------|

[1] 2 LEDs; green, red

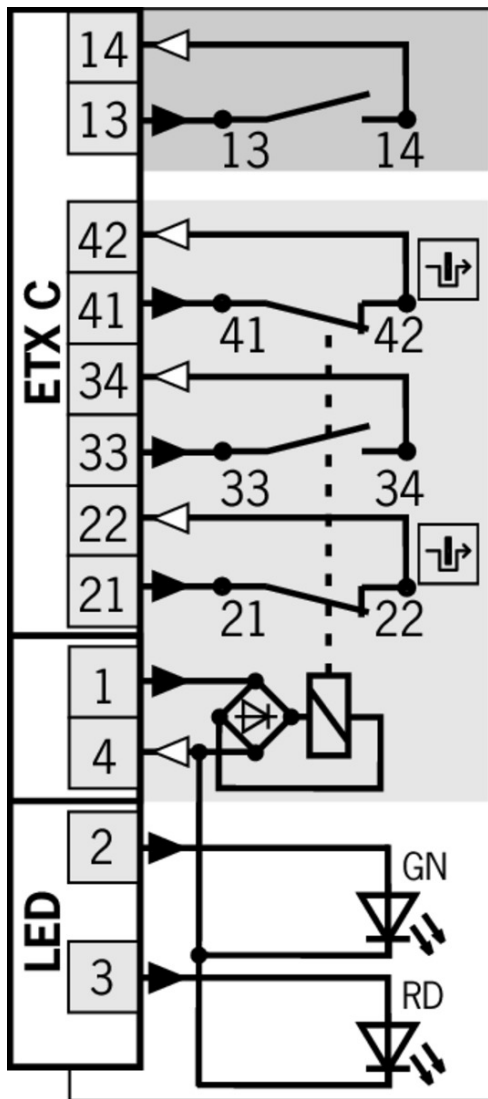
Dimension drawing



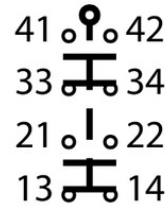
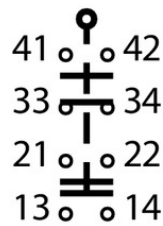
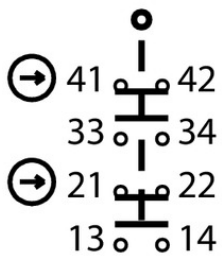
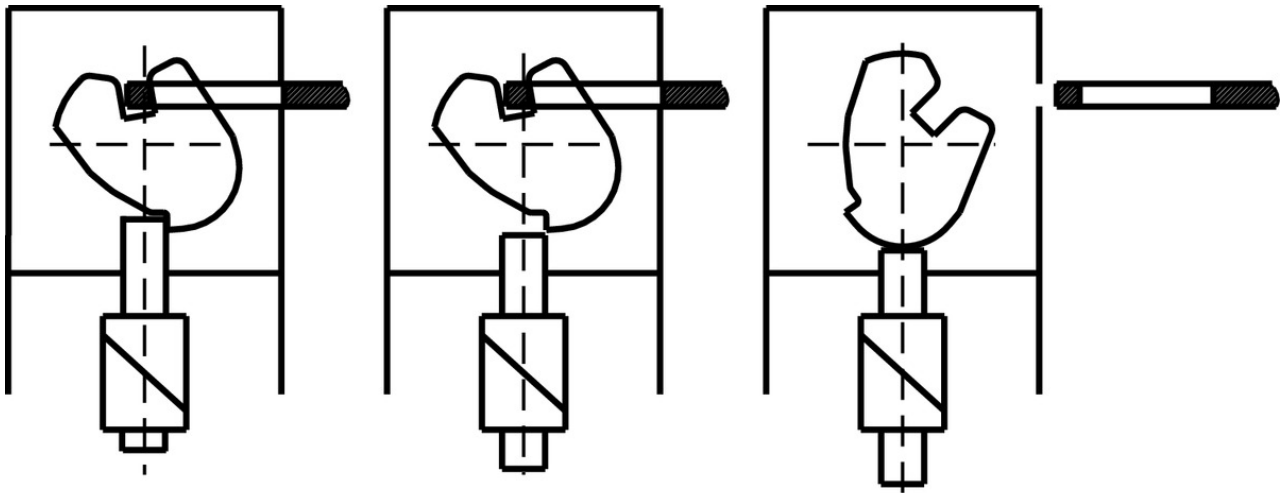
Legende

- 1 Auxiliary release
- 2 LED indicator
- 3 Locking screw

ETX C



Switching functions



ETX C

Actuator

- ▼ Hinged actuator top/bottom for safety switches NX/TX



097906 RADIUSBETAETIGER-X-OU-N

▼ Features

- › Actuators made of stainless steel
- › Two stainless safety screws per actuator

- ▼ Hinged actuator left/right for safety switches NX/TX



098082 RADIUSBETAETIGER-X-LR-N

▼ Features

- › Actuators made of stainless steel
- › Two stainless safety screws per actuator

- ▼ Bent actuator for safety switches NX/TX, increased overtravel



079742 BETAETIGER-X-WNQ

▼ Features

- › Actuators made of stainless steel
- › Two stainless safety screws per actuator
- › With rubber bush

- ▼ Actuators for safety switches NX/TX, increased overtravel



079741 BETAETIGER-X-GNQ

✓ Features

- › Actuators made of stainless steel
 - › Two stainless safety screws per actuator
 - › With rubber bush
-

✓ Actuators for safety switches NX/TX



079739 BETAETIGER-X-GQ

✓ Features

- › Actuators made of stainless steel
 - › Two stainless safety screws per actuator
 - › With rubber bush
-

✓ Bent actuator for safety switches NX/TX



079740 BETAETIGER-X-WQ

✓ Features

- › Actuators made of stainless steel
 - › Two stainless safety screws per actuator
 - › With rubber bush
-

Mounting accessories

✓ Mounting plates EMP-B2 for actuators for safety switches CTP, TP...A, STA, STP, TX and TZ



093458 EMP-B2

✓ Mounting plates EMP-SB for safety switches CTP, TP...A, STA, STP and TX



093456 EMP-SB

✓ Features

- › For vertical and horizontal mounting of safety switches TP...A, STA, STP and TX
-

✓ Mounting plates EMP-B1 for actuators for safety switches CTP, TP...A, STA, STP, TX and TZ



093457 EMP-B1

Function expansion

✓ Lockout mechanism NX/TX



096098 SPERREINSATZ TX

✓ Features

- › Prevents unintentional closing of the door

- › Can be secured with padlocks

- ▼ Emergency unlocking for safety switches TX



094771 NOTENTSPERRUNG TX

- ▼ Release with automatic reset for safety switches TX



094773 ENTRIEGELUNG RUECKSTELLEND TX1/3

- ▼ Lock for mechanical release for safety switches TX



079796 SCHLOSS TX VERSCHIEDENSCHLIESSEND



079795 SCHLOSS TX GLEICHSCHLIESSEND

Bolt

- ▼ Bolt TX-A for safety switches TX and NX



082990 RIEGEL TX-A

- ▼ Features

- › Steel bolt
- › For doors hinged on the right
- › Can be locked in open position with padlocks
- › Actuator and switch bracket included

- ▼ Bolt TX-C for safety switches TX and NX



082991 RIEGEL TX-C

- ▼ Features

- › Steel bolt
- › For doors hinged on the left
- › Can be locked in open position with padlocks
- › Actuator and switch bracket included

Connection material

- ▼ Cable glands M20x1.5



077683 EKVM20/06

077684 EKVM20/09



Spare parts

Lead seal kit

087256 PLOMBENSATZ C1937

Instructions

Betriebsanleitung Sicherheitsschalter TX...

| | Doc. no. | Version | Language | Download |
|--|----------|----------|----------|----------|
| Betriebsanleitung Sicherheitsschalter TX... | 079777 | 07-01/17 | | 4.4 MB |
| Mode d'emploi pour les interrupteurs de sécurité TX... | | | | |
| Istruzioni di impiego dei finecorsa di sicurezza TX... | | | | |
| Operating Instructions Safety Switches TX... | | | | |

Declaration of conformity

EU prohlášení o shodě

| | Doc. no. | Version | Language | Download |
|---------------------------------|----------|----------|----------|----------|
| EU-Konformitätserklärung | 2077153 | 25-02/17 | | 0.3 MB |
| Declaración UE de conformidad | | | | |
| Déclaration UE de conformité | | | | |
| Dichiarazione di conformità | | | | |
| EU declaration of conformity | | | | |
| EU prohlášení o shodě | 2077153 | 25-02/17 | | 0.5 MB |
| EU-overensstemmelseserklæring | | | | |
| Δήλωση συμμόρφωσης της ΕΕ | | | | |
| EU-vaatimustenmukaisuusvakuutus | | | | |
| EU-típusbizonyítvány | | | | |
| EU-conformiteitsverklaring | | | | |
| Deklaracja zgodności UE | | | | |
| Declaração de Conformidade UE | | | | |
| Declarația de conformitate UE | | | | |
| EÚ vyhlásenie o zhode | | | | |

CAD data

CAD data for this item on TraceParts