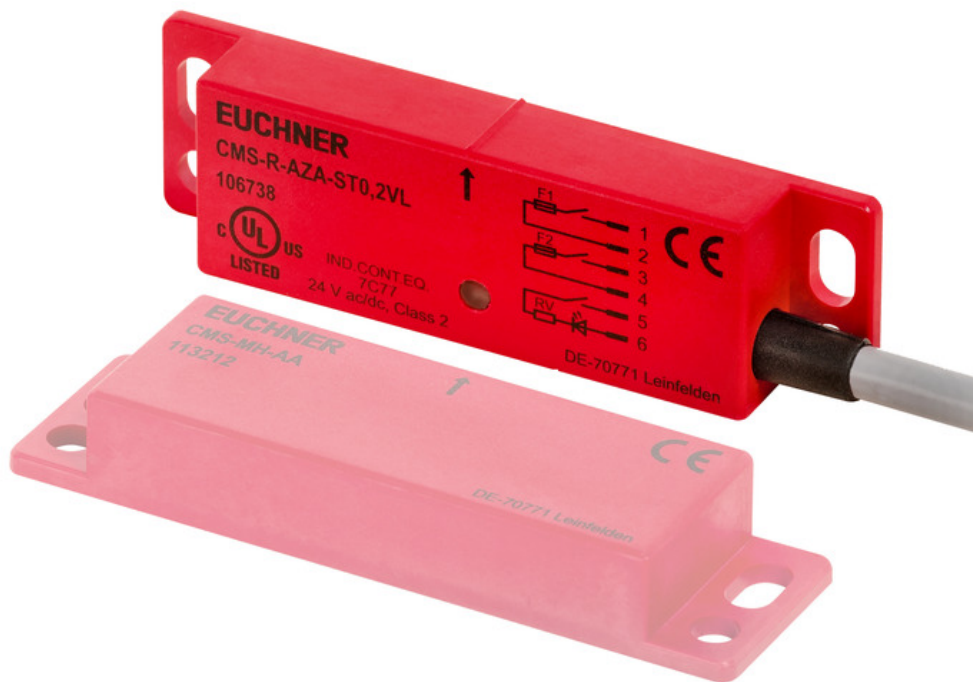


**ITEM 102275 CMS-R-AZC-SC**

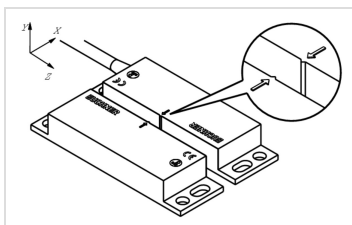
Description	Technical data	Accessories	Downloads
-------------	----------------	-------------	-----------



**Features**

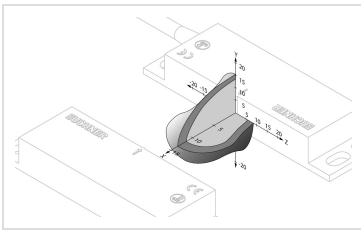
- › In combination with evaluation units ESM-BA...
- › Cube-shaped version 88 x 25 mm
- › Plug connector M8

**Alignment of read head and actuator**



› Figure

**Operating diagram, design A for ESM**



► CMS-R-AZC

Typ. switch-on distance

Typ. switch-off distance

## Approvals



## Mechanical values and environment

Design	A
Housing material	Fiber glass reinforced PPS
Weight	
	Net 0,038 kg
Ambient temperature	-20 ... 60 °C
Degree of protection	IP67
Mechanical life	100 x 10 <sup>6</sup>
Installation position	Any, pay attention to marking <b>[1]</b>
Tightening torque	0,4 ... 0,5 Nm
Number of NO contacts	2 NO contacts with fuse, 100 mA each
Connection	4-pin M8 plug connector
Method of operation	Magnetic, reed contact

## Electrical connection ratings

Rated conditional short-circuit current	100 A <b>[2]</b>
Fusing	
Power supply / safety contacts, external contact protection	Fuse 10 A gG <b>[3]</b>
Switching voltage	24 ... 35 V
Switching current	max.100 mA
Switching characteristics	Parallel
Switching voltage according to UL	
According to UL Class 2	AC/DCmax.24 V
Switching frequency, electrical	
At I <sub>min</sub> = 10 mA	max.5 Hz <b>[4]</b>
At nominal current 8 A	max.0,1 Hz <b>[5]</b>
Switching delay from state change	26 ms <b>[6]</b>

## Miscellaneous

in compliance with	EN ISO 13849-1: 2015; EN 62061: 2005 + AC: 2010 + A1: 2013 + A2: 2015; EN ISO 14119: 2013; IEC 60947-5-3: 2013
--------------------	--

## Reliability values acc. to EN ISO 13849-1

	Monitoring of the safety guard position
B10 <sub>D</sub>	20 x 10 <sup>6</sup>

**in combination with Evaluation unit ESM-BA201, ESM-BA202, ESM-BA203, ESM-BA301, ESM-BA302, ESM-BA303, ESM-BA201P, ESM-BA301P and Actuator CMS-M-AI**

## Operating distance

Center offset	
At s=3 mm read distance	2,5 mm [7]
Assured switch-off distance S <sub>ar</sub>	max.22 mm [8]
Assured operating distance S <sub>a0</sub>	
With center offset m=0	min.9 mm [9]

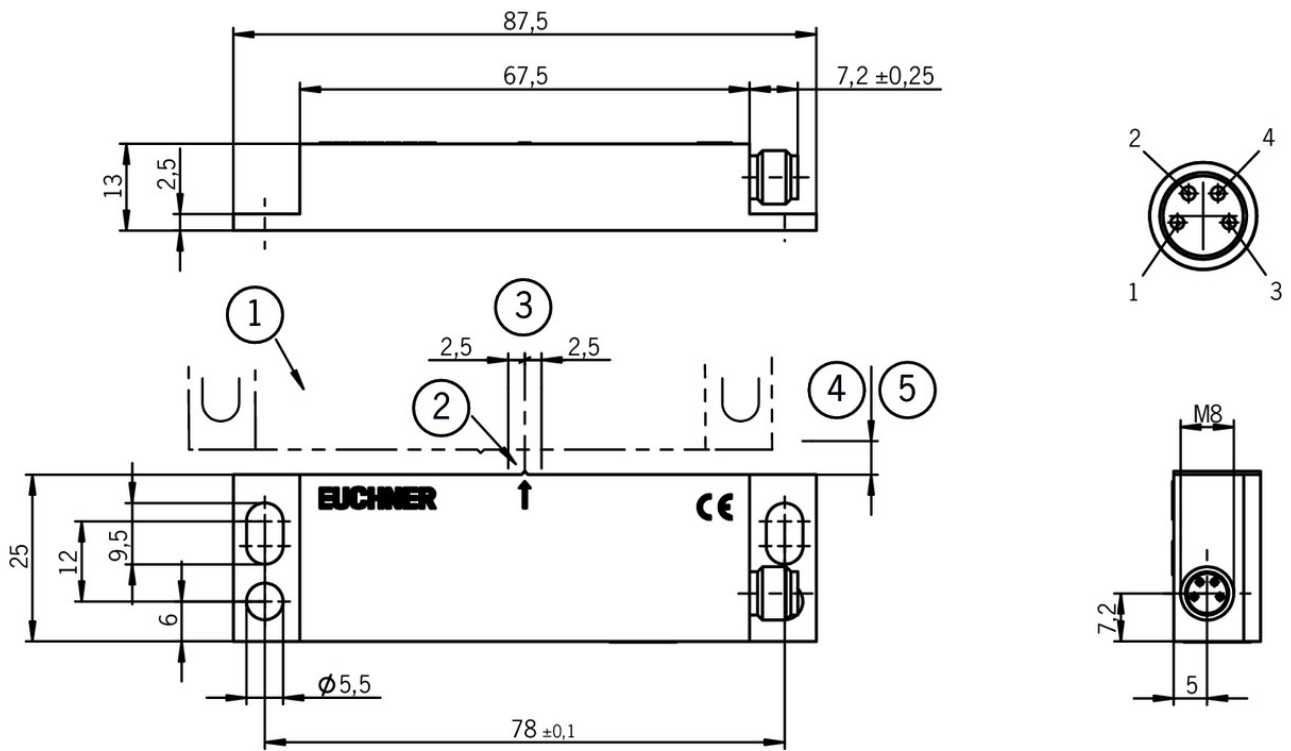
[1] During mounting it is to be ensured the marking arrows on actuator and read head are opposite each other.

[2, 3, 4, 5, 6] Parameter dependent on the evaluation units ESM-BA2.. and ESM-BA3..

[7, 9] Figure only applies if there is no ferromagnetic material in the vicinity of the read head and the actuator.

[8] The assured switch-off distance s<sub>ar</sub> corresponds to the reset distance.

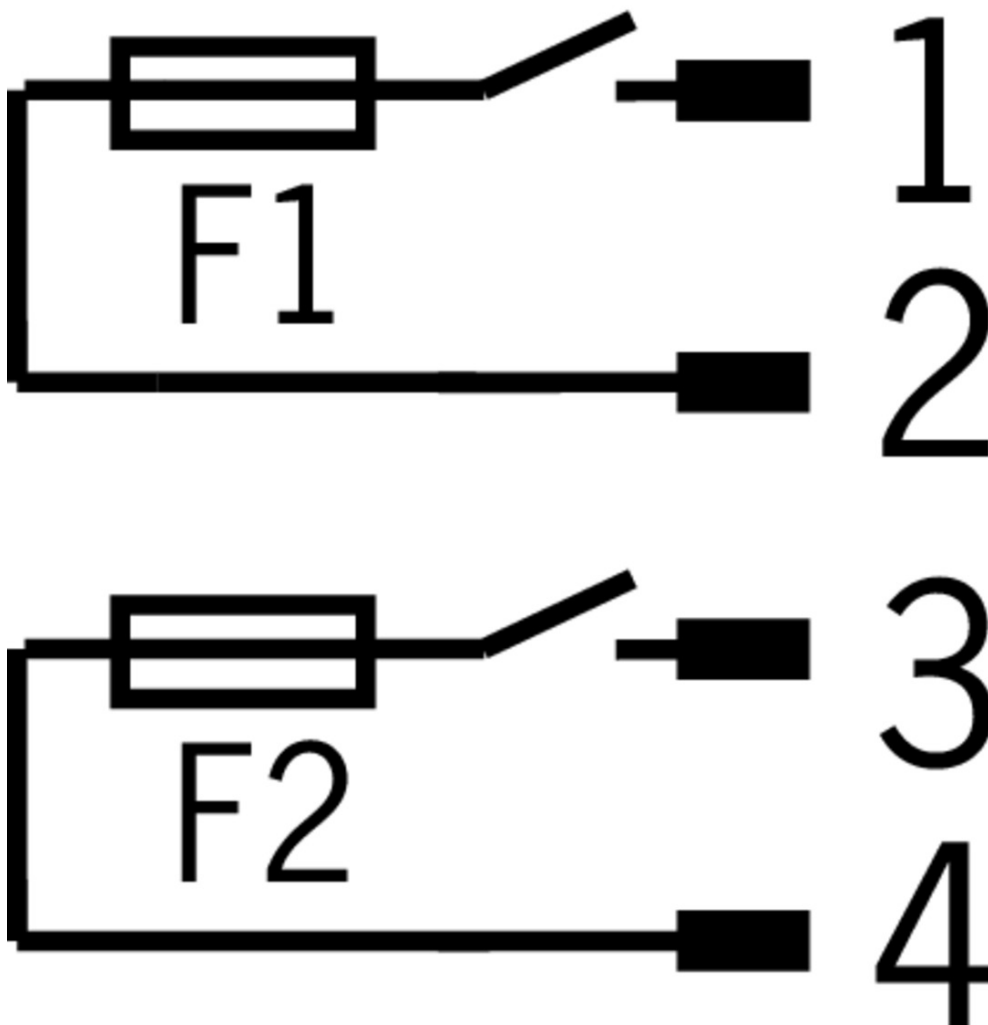
## Dimension drawing



## Legende

- 1 Actuator
- 2 Active face
- 3 Center offset m at s=3 mm
- 4 Sao
- 5 Assured operating distance

CMS-R-AZC...



## Actuator

Actuator CMS design A



**093976** CMS-M-AI





Features

› Cube-shaped version 88 x 25 mm

## Catalogs

Magnetisch codierte Sicherheitsschalter CMS Système de sécurité sans contact CMS  
Magnetically Coded Safety Switches CMS

	Doc. no.	Version	Language	Download
Magnetisch codierte Sicherheitsschalter CMS	086823	09-02/18		2.3 MB

Systeme de sécurité sans contact CMS	090606	09-02/18		 2.3 MB
Magnetically Coded Safety Switches CMS	086824	09-02/18		 2.3 MB