

ITEM 100753 CMS-R-BZB-SC

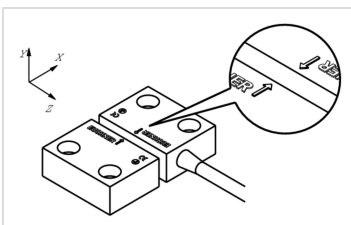
Description	Technical data	Accessories	Downloads
-------------	----------------	-------------	-----------



Features

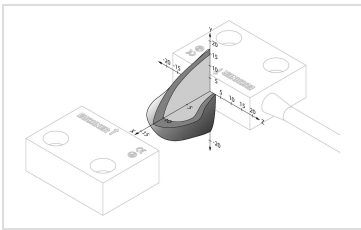
- › In combination with evaluation units ESM-BA...
- › Cube-shaped version 36 x 26 mm
- › Plug connector M8

Alignment of read head and actuator



› Figure

Operating diagrams, design B for ESM



► CMS-R-BZB

Typ. switch-on distance

Typ. switch-off distance

Approvals



Mechanical values and environment

Design	B
Housing material	Fiber glass reinforced PPS
Weight	
	Net 0,016 kg
Ambient temperature	-20 ... 60 °C
Degree of protection	IP67
Mechanical life	100 x 10 ⁶
Installation position	Any, pay attention to marking [1]
Tightening torque	0,4 ... 0,5 Nm
Number of NO contacts	2 NO contacts with fuse, 100 mA each
Connection	4-pin M8 plug connector
Method of operation	Magnetic, reed contact

Electrical connection ratings

Rated conditional short-circuit current	100 A [2]
Fusing	
Power supply / safety contacts, external contact protection	Fuse 10 A gG [3]
Switching voltage	24 ... 35 V
Switching current	max.100 mA
Switching characteristics	Parallel
Switching voltage according to UL	
According to UL Class 2	AC/DCmax.24 V
Switching frequency, electrical	
At I _{min} = 10 mA	max.5 Hz [4]
At nominal current 8 A	max.0,1 Hz [5]
Switching delay from state change	26 ms [6]

Miscellaneous

in compliance with	EN ISO 13849-1: 2015; EN 62061: 2005 + AC: 2010 + A1: 2013 + A2: 2015; EN ISO 14119: 2013; IEC 60947-5-3: 2013
--------------------	----------------------------------------------------------------------------------------------------------------

Reliability values acc. to EN ISO 13849-1

	Monitoring of the safety guard position
B10 _D	20 x 10 ⁶

in combination with Evaluation unit ESM-BA201, ESM-BA202, ESM-BA203, ESM-BA301, ESM-BA302, ESM-BA303, ESM-BA201P, ESM-BA301P and Actuator CMS-M-BH

Operating distance

Center offset	
At s=3 mm read distance	2,5 mm [7]
Assured switch-off distance S _{ar}	max.20 mm [8]
Assured operating distance S _{a0}	
With center offset m=0	min.7 mm [9]

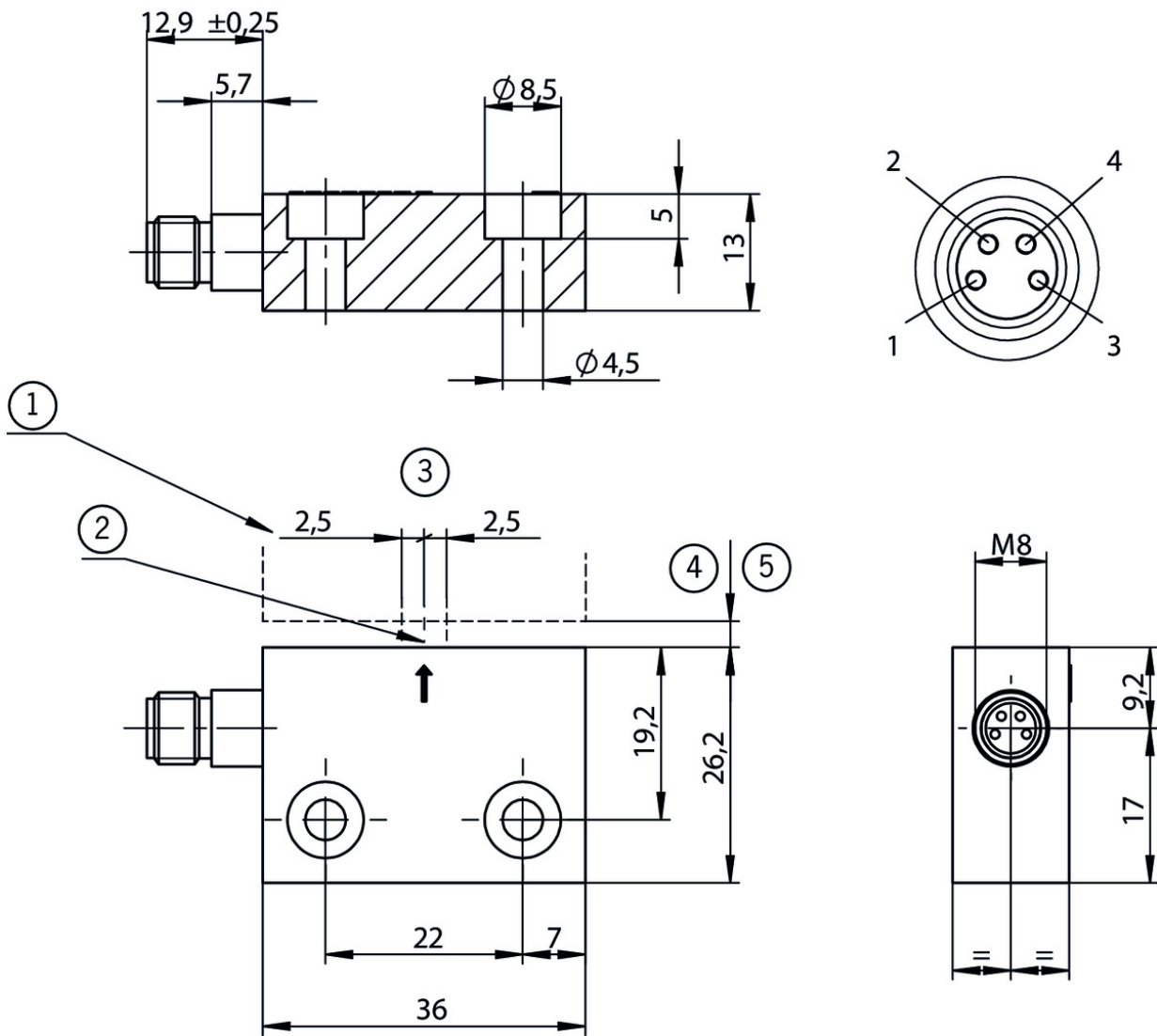
[1] During mounting it is to be ensured the marking arrows on actuator and read head are opposite each other.

[2, 3, 4, 5, 6] Parameter dependent on the evaluation units ESM-BA2.. and ESM-BA3..

[7, 9] Figure only applies if there is no ferromagnetic material in the vicinity of the read head and the actuator.

[8] The assured switch-off distance s_{ar} corresponds to the reset distance.

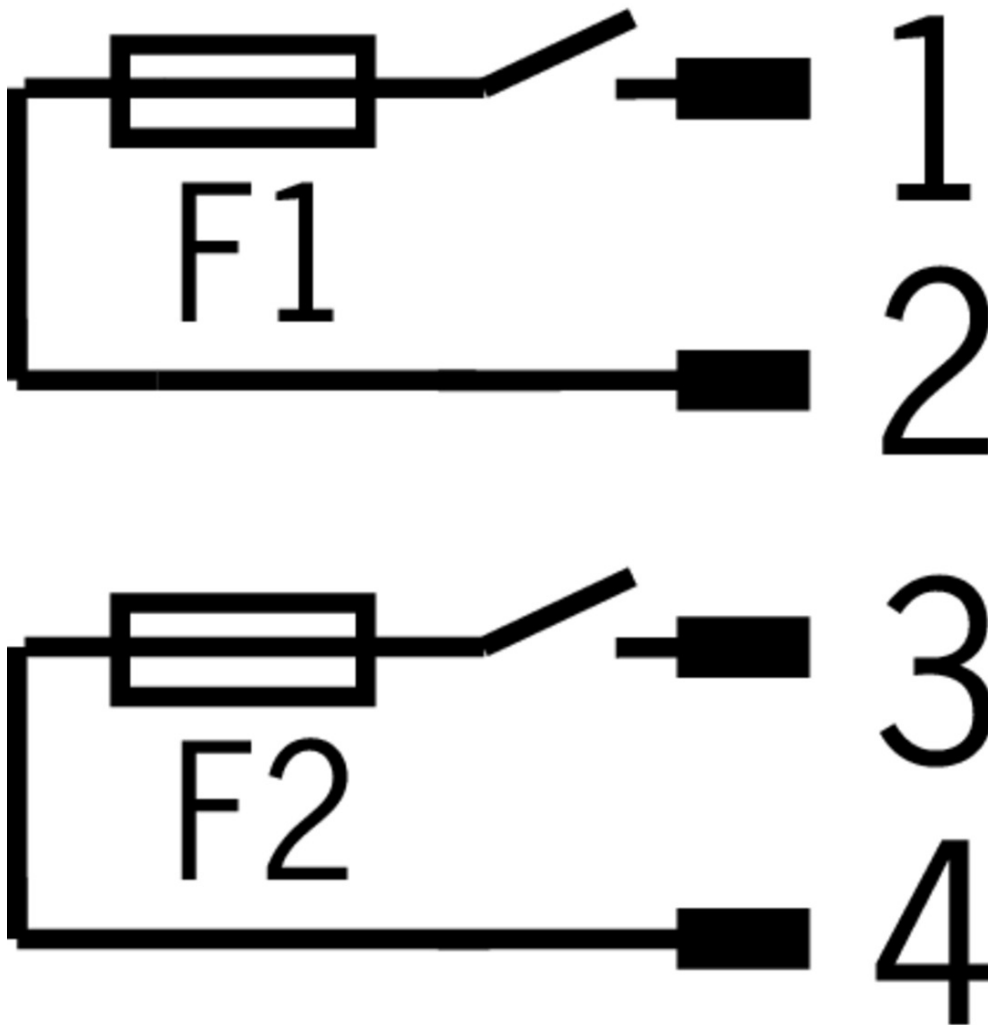
Dimension drawing



Legende

- 1 Actuator
- 2 Active face
- 3 Center offset m at s=3 mm
- 4 Sao
- 5 Assured operating distance

CMS-R-BZB...



Actuator

- ✓ Actuator CMS design B



092025 CMS-M-BH

- ✓ Features

- › Cube-shaped version 36 x 26 mm

Connection material

- ✓ Connection cable with plug connector M8, 4-pin, 10m



104145 C-M08F04-04X025PV10,0-ES-104145

- ✓ Features

- › M8 female plug, 4-pin
- › Straight plug connector
- › PVC cable
- › Cable length 1 m
- › With flying lead

▼ Connection cable with plug connector M8, 4-pin, 5m



104144 C-M08F04-04X025PV05,0-ES-104144

▼ Features

- › M8 female plug, 4-pin
- › Straight plug connector
- › PVC cable
- › Cable length 5 m
- › With flying lead

▼ Connection cable with plug connector M8, 4-pin, 3m



104143 C-M08F04-04X025PV03,0-ES-104143

▼ Features

- › M8 female plug, 4-pin
- › Straight plug connector
- › PVC cable
- › Cable length 3 m
- › With flying lead

▼ Connection cable with plug connector M8, 4-pin, 1m



104142 C-M08F04-04X025PV01,0-ES-104142

▼ Features

- › M8 female plug, 4-pin
- › Straight plug connector
- › PVC cable
- › Cable length 1 m
- › With flying lead

Catalogs

▼ Magnetisch codierte Sicherheitsschalter CMS Système de sécurité sans contact CMS
Magnetically Coded Safety Switches CMS

	Doc. no.	Version	Language	Download
Magnetisch codierte Sicherheitsschalter CMS	086823	09-02/18		2.3 MB
Système de sécurité sans contact CMS	090606	09-02/18		2.3 MB
Magnetically Coded Safety Switches CMS	086824	09-02/18		2.3 MB