

ITEM 054784 ZSB054784

| Description | Technical data | Accessories | Downloads |
|-------------|----------------|-------------|-----------|
|-------------|----------------|-------------|-----------|



Features

- › 3-stage function
- › Housing G3
- › Coiled connection cable, 7 m
- › Two illuminated buttons
- › Including holder

Switching element

210 2 NO + 1 NC ↻

Cable

The high quality connection cables (individual screening of the safety contacts) are available coiled.

3-stage function

Enabling function is active only in the second stage (middle position, actuating point). If the pushbutton is released or pushed further (panic function), the enabling is removed (dependent on the wiring, see function sequence).

+ and - buttons

These buttons can be configured individually. For example, for moving axes in positive or negative direction.

Approvals



Mechanical values and environment

| | | |
|--------------------------------------|------------------|-----------------------------|
| Material | Housing | Plastic yellow |
| | Cap | Elastomer PAK arm, black |
| Weight | Net | 2,5 kg |
| Ambient temperature | | -5 ... 50 °C |
| Degree of protection | | IP65 |
| Mechanical life | Position 1-2-1 | min.0,1 x 10 ⁶ |
| | Position 1-2-3-1 | min.0,1 x 10 ⁶ |
| Switching principle | | Slow-action contact element |
| Number of positively driven contacts | | 1 |
| Number of NO contacts | | 2 |
| Connection | | Flying lead |
| Cable length | coiled | 7 m |

Electrical connection ratings

| | | |
|---|----------------------------|---------------------|
| Rated conditional short-circuit current | | 100 A |
| Utilization category according to EN 60947-5-1 | AC-15 | 2A 24V 400mA 24V |
| | DC-13 | 2A 24V 100mA 24V |
| Short circuit protection according to IEC 60269-1 | at 24V | 2A gG [1] |
| | Additional elements at 24V | 0.1A gG [2] |
| Rated insulation voltage U _i | | 250 V |
| Rated impulse withstand voltage U _{imp} | | 0,8 kV |
| Switching voltage | Min. at 10mA | min.12 V |

| | | |
|---|--------------|--|
| Switching current | Min. at 24 V | min.1 mA |
| Degree of contamination (external, according to EN 60947-1) | Industry | 3 |
| Connecting cable | | 8x0.5mm ² + 8x0.14mm ² [3] |

Miscellaneous

| | | |
|--------------------|---------|---------------------------------|
| Additional feature | Version | 2 illuminated buttons (+ and -) |
|--------------------|---------|---------------------------------|

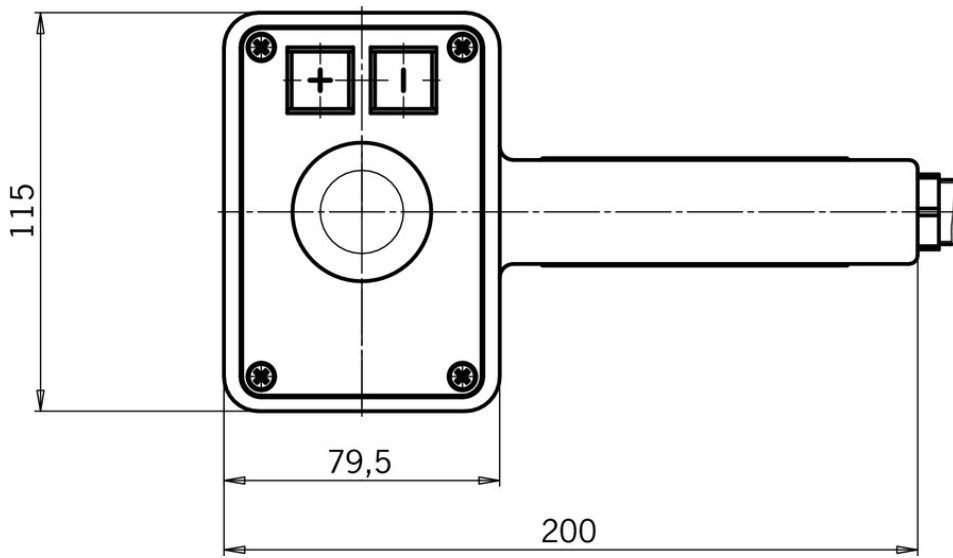
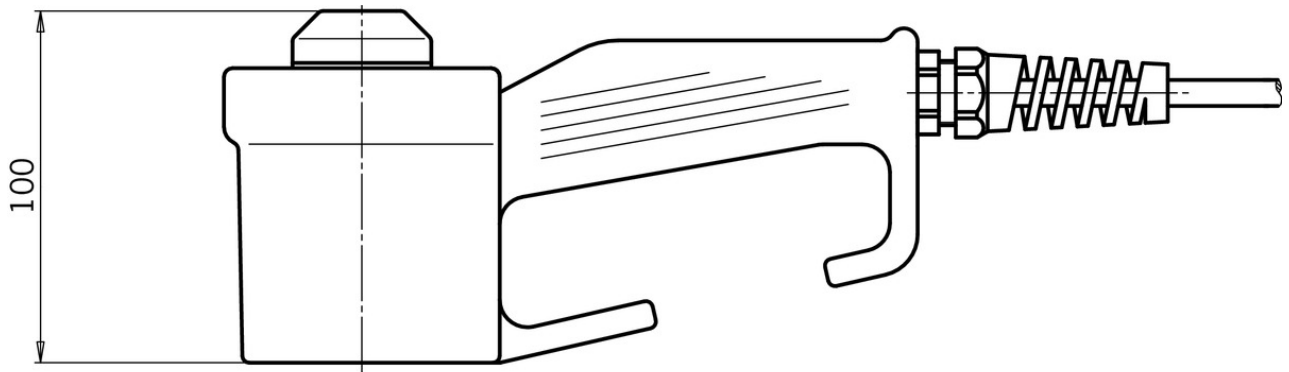
Reliability values acc. to EN ISO 13849-1

| | Enabling switch |
|------------------|-----------------------|
| B10 _D | 0,5 × 10 ⁶ |

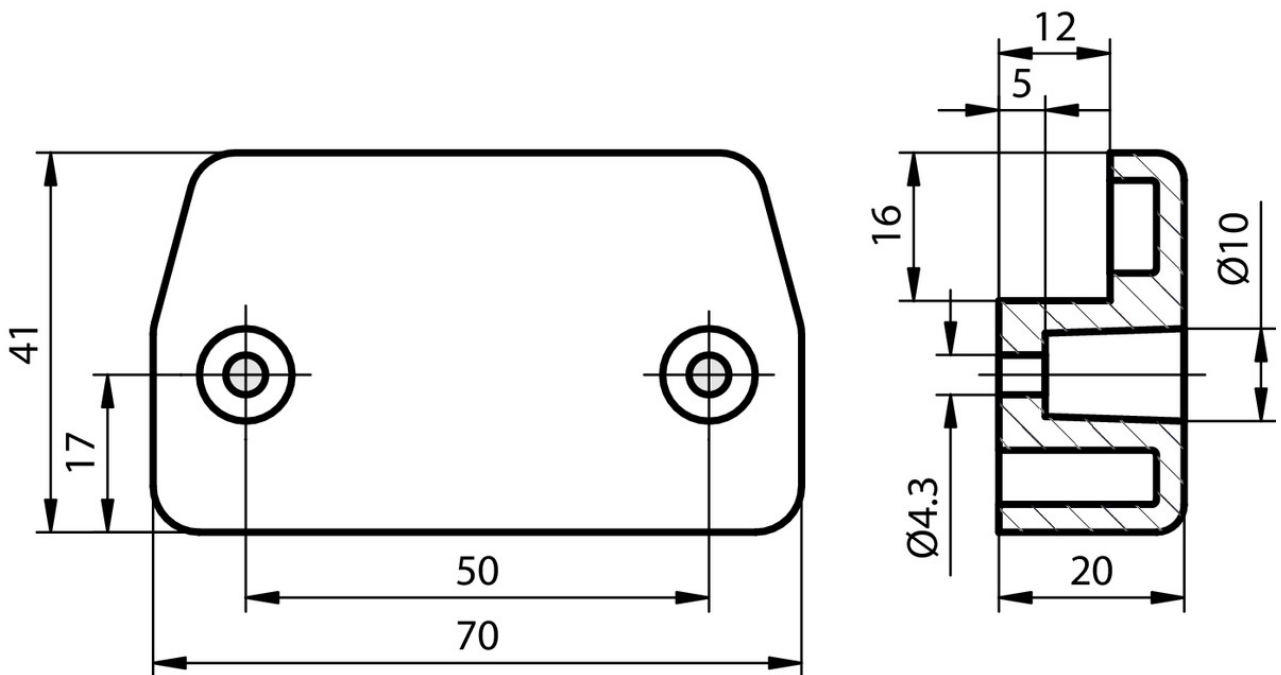
[1, 2] In case of operating voltages other than DC 24V, the short circuit protection must be dimensioned accordingly and checked.

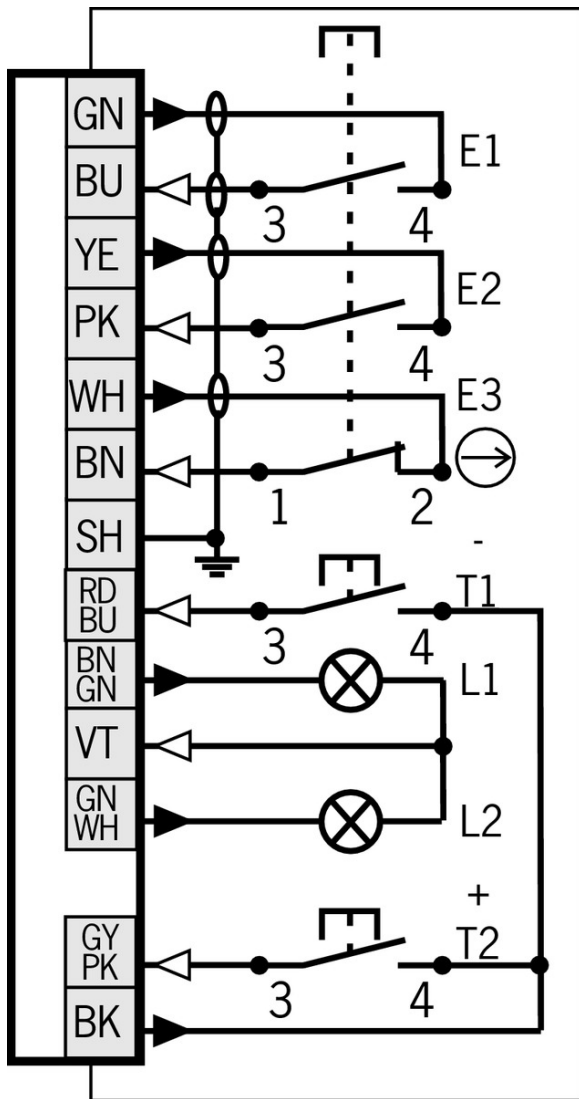
[3] 4x0.5mm² screened + 4x0.5mm² unscreened + 8x0.14mm² unscreened. Outer screen over everything.

Dimension drawing

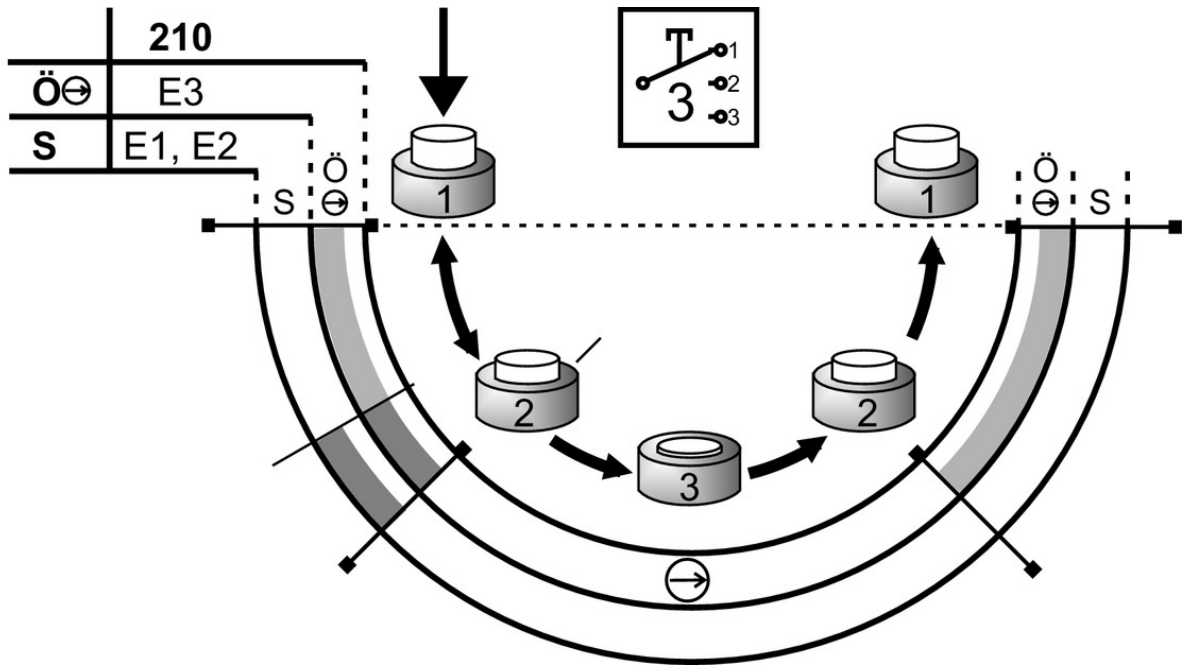


Dimension drawing





Travel diagram



Legende

- open
- closed
- closed, enabling

Instructions

- Betriebsanleitung Zustimmungstaster ZSB

| | Doc. no. | Version | Language | Download |
|--|----------|----------|----------|----------|
| Betriebsanleitung Zustimmungstaster ZSB | 092782 | 06-12/13 | | 0.5 MB |
| Mode d'emploi de la commande d'assentiment ZSB | | | | |
| Istruzioni di impiego del pulsante di consenso ZSB | | | | |
| Operating Instructions Enabling Switch ZSB | | | | |

Catalogs

- Enabling switches ZS Commandes d'Assentiment ZS Zustimmungstaster ZS

| | Doc. no. | Version | Language | Download |
|----------------------------|----------|----------|----------|----------|
| Zustimmungstaster ZS | 095689 | 08-07/18 | | 9.1 MB |
| Commandes d'Assentiment ZS | 097367 | 08-07/18 | | 4.9 MB |

**Declaration of conformity** EU-Konformitätserklärung

| | Doc. no. | Version | Language | Download |
|-------------------------------|-----------------|----------------|-----------------|-----------------|
| EU-Konformitätserklärung | 2109392 | 04-11/16 | | 0.2 MB |
| Declaración UE de conformidad | | | | |
| Déclaration UE de conformité | | | | |
| Dichiarazione di conformità | | | | |
| EU declaration of conformity | | | | |