

## ITEM 070904 ZSB070904

Description	Technical data	Accessories	Downloads
-------------	----------------	-------------	-----------



### Features

- › 3-stage function
- › Housing G3
- › Straight connection cable, 3 m
- › Plug connector
- › Two illuminated buttons
- › Key-operated rotary switch
- › Including holder

### Switching element

**210** 2 NO + 1 NC ↻

### Cable

The high quality connection cables (individual screening of the safety contacts) are available straight.

### Illuminated + and - buttons

These buttons can be configured individually. For example, for moving axes in

positive or negative direction.

## Key-operated rotary switch

For individual use, e.g. as operating mode selector switch.

### 3-stage function

Enabling function is active only in the second stage (middle position, actuating point). If the pushbutton is released or pushed further (panic function), the enabling is removed (dependent on the wiring, see function sequence).

## Approvals



## Mechanical values and environment

Material		
	Housing	Plastic yellow
	Cap	Elastomer PAK arm, black
Weight		
	Net	1,5 kg
Ambient temperature		-5 ... 50 °C
Degree of protection		IP65
Mechanical life		
	Position 1-2-1	min.0,1 x 10 <sup>6</sup>
	Position 1-2-3-1	min.0,1 x 10 <sup>6</sup>
Switching principle		Slow-action contact element
Number of positively driven contacts		1
Number of NO contacts		2
Connection		Plug connector number of pins 17
Cable length		
	straight	3 m

## Electrical connection ratings

Rated conditional short-circuit current		100 A
Utilization category according to EN 60947-5-1		
	AC-15	2A 24V 400mA 24V
	DC-13	2A 24V 100mA 24V
Short circuit protection according to IEC 60269-1		

	at 24V	2A gG [1]
Additional elements at 24V		0.1A gG [2]
Rated insulation voltage U <sub>i</sub>		250 V
Rated impulse withstand voltage U <sub>imp</sub>		0,8 kV
Switching voltage		
	Min. at 10mA	min.12 V
Switching current		
	Min. at 24 V	min.1 mA
Degree of contamination (external, according to EN 60947-1)		
	Industry	3
Connecting cable		8x0.5mm <sup>2</sup> + 8x0.14mm <sup>2</sup> [3]

### Miscellaneous

Additional feature		
	Version	2 pushbuttons illuminated (+ and -) 1 key-operated switch (1 NO)

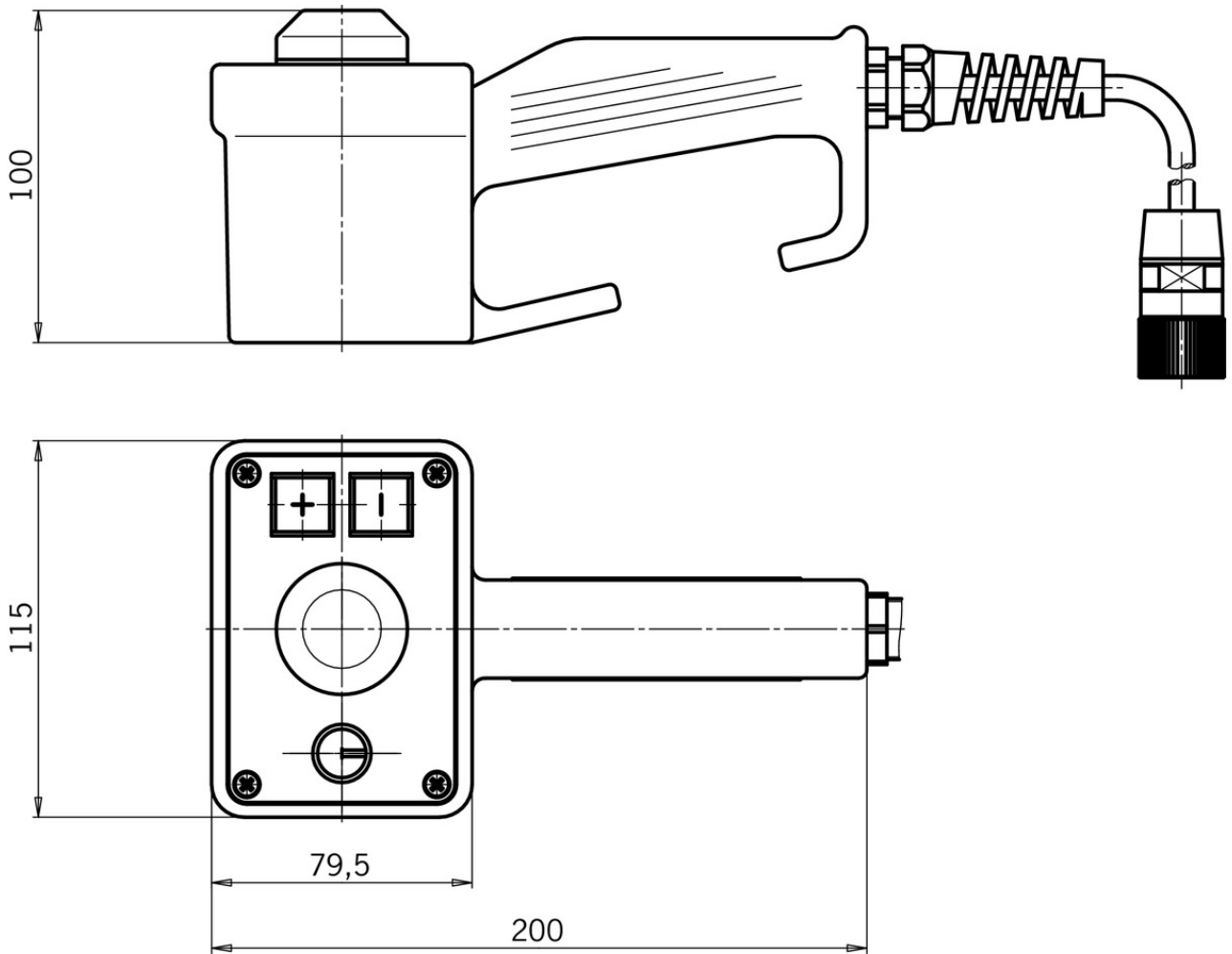
### Reliability values acc. to EN ISO 13849-1

	Enabling switch
B10 <sub>D</sub>	0,5 x 10 <sup>6</sup>

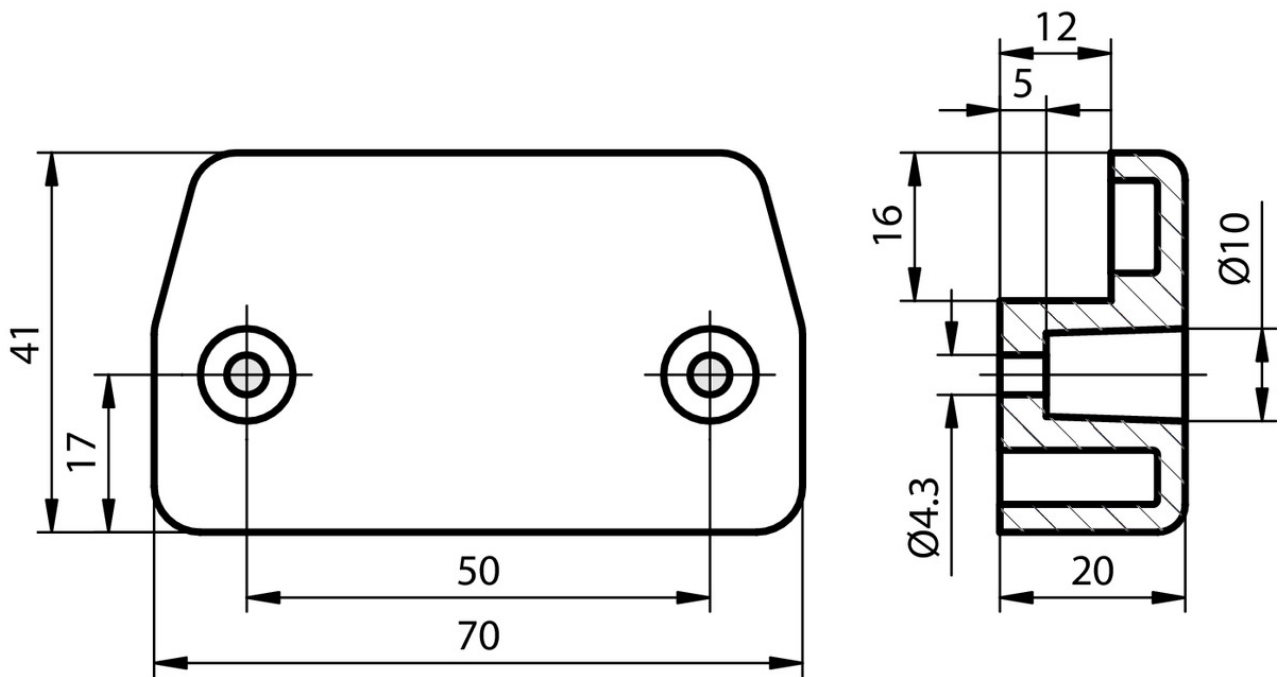
[1, 2] In case of operating voltages other than DC 24V, the short circuit protection must be dimensioned accordingly and checked.

[3] 4x0.5mm<sup>2</sup> screened + 4x0.5mm<sup>2</sup> unscreened + 8x0.14mm<sup>2</sup> unscreened. Outer screen over everything.

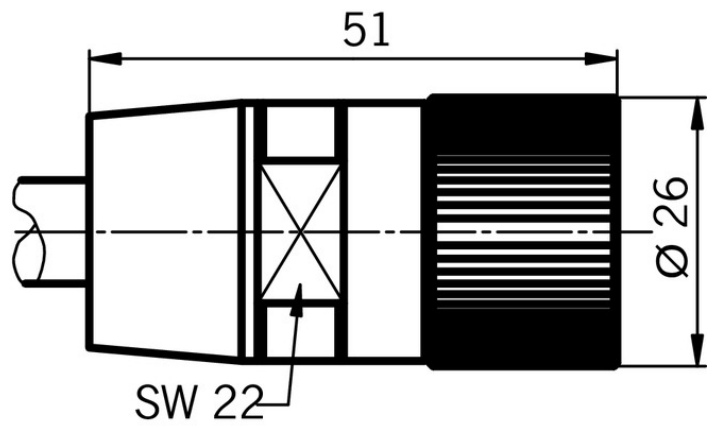
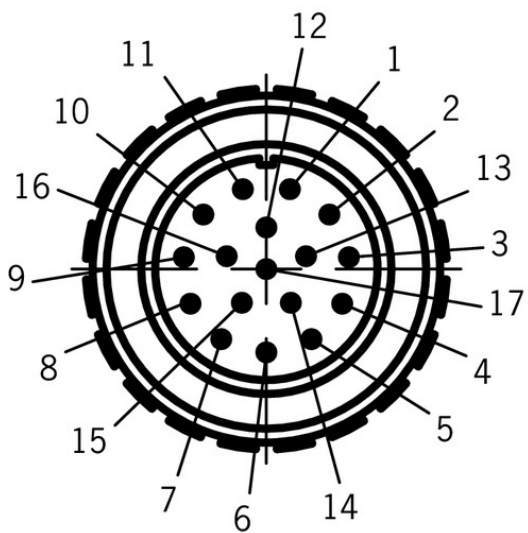
**Dimension drawing**



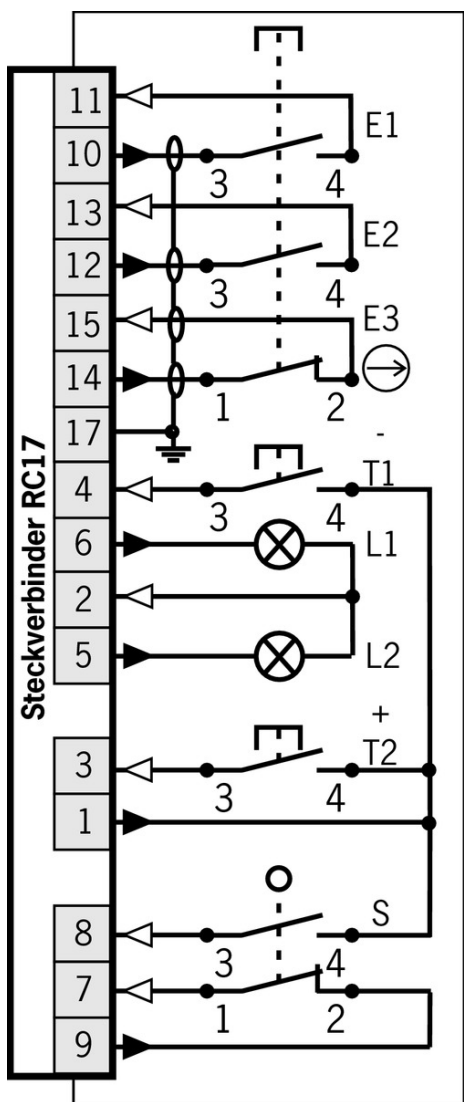
**Dimension drawing**



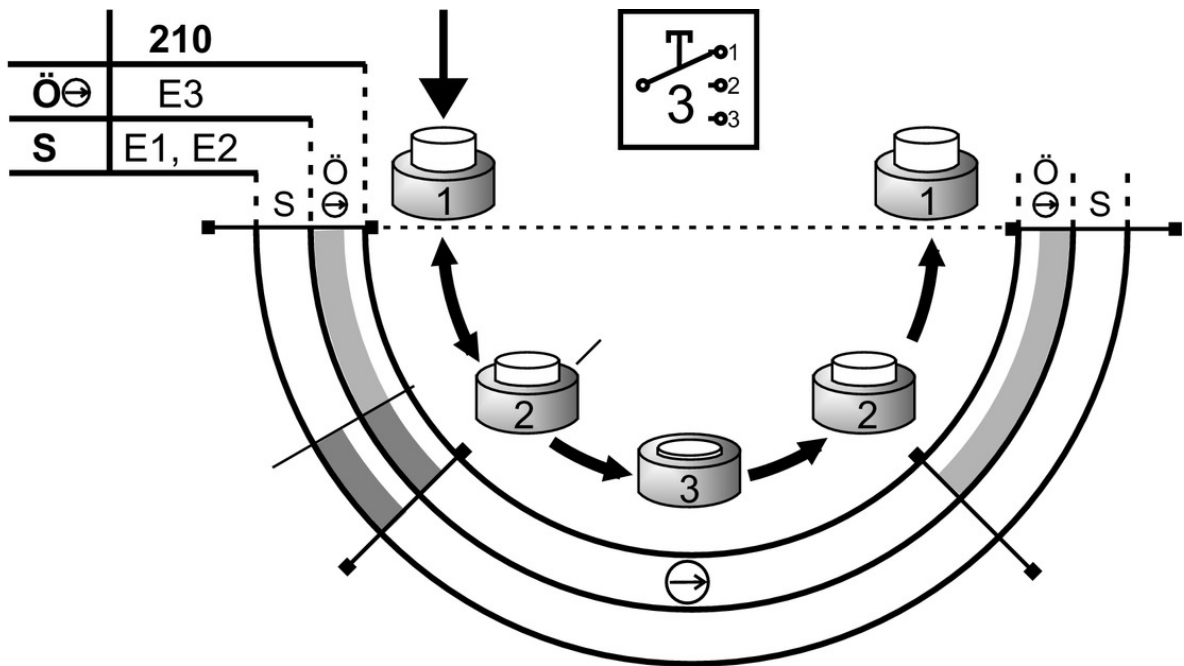
**Dimension drawing**






**210 with key operated switch**



## Travel diagram








## Legende

-  open
-  closed
-  closed, enabling





## Instructions

- Betriebsanleitung Zustimmungstaster ZSB

	Doc. no.	Version	Language	Download
Betriebsanleitung Zustimmungstaster ZSB	092782	06-12/13		 0.5 MB
Mode d'emploi de la commande d'assentiment ZSB				
Istruzioni di impiego del pulsante di consenso ZSB				
Operating Instructions Enabling Switch ZSB				

## Catalogs

- Enabling switches ZS Commandes d'Assentiment ZS Zustimmungstaster ZS

	Doc. no.	Version	Language	Download
Zustimmungstaster ZS	095689	08-07/18		 9.1 MB
Commandes d'Assentiment ZS	097367	08-07/18		 4.9 MB



## Declaration of conformity

### EU-Konformitätserklärung

	Doc. no.	Version	Language	Download
EU-Konformitätserklärung	2109392	04-11/16		0.2 MB
Declaración UE de conformidad				
Déclaration UE de conformité				
Dichiarazione di conformità				
EU declaration of conformity				

## CAD data

CAD data for this item on TraceParts