

ITEM 070793 ZSG1-2

Description	Technical data	Accessories	Downloads
-------------	----------------	-------------	-----------



Features

- › 2-stage function
- › Button for enabling function
- › Dual-channel version
- › 34.4 mm installation dimension
- › Suitable, e.g. for installation in the hand-held pendant stations HBL or housing G2 or G3

Switching elements

- 20** 2NO
2) As per VDI 2854, a device comparable to an emergency stop device must be fitted!

2-stage function

Enabling function is active in the second stage (pressed position). When the button is released, the enabling is removed (see function sequence).

Approvals



Mechanical values and environment

Material	Plastic
Weight	
	Net 0,25 kg
Ambient temperature	-5 ... 50 °C
Degree of protection	IP65
Mechanical life	
	Position 1-2-1 0,1 x 10 ⁶
Switching principle	Slow-action contact element
Number of NO contacts	2
Connection	Tab connector 2.8 x 0.8 IEC 760

Electrical connection ratings

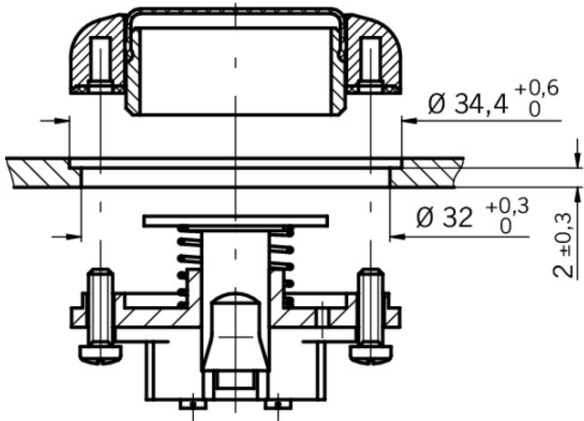
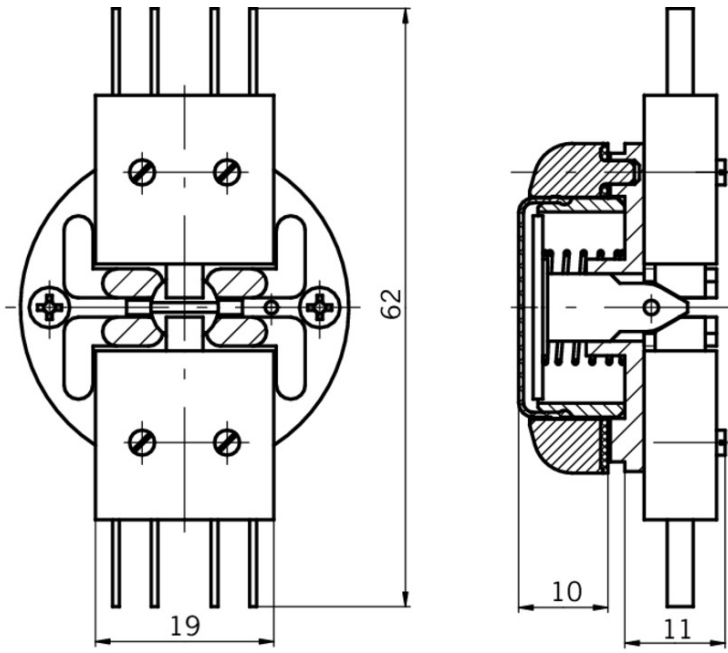
Rated conditional short-circuit current	100 A
Utilization category according to EN 60947-5-1	
	AC-15 3.3A 24V
	DC-13 3A 24V
Short circuit protection according to IEC 60269-1	4A gG ^[1]
Rated insulation voltage U _i	250 V
Rated impulse withstand voltage U _{imp}	2,5 kV
Switching voltage	
	Min. at 10mA 12 V
Switching current	
	Min. at 24V 1 mA
Degree of contamination (external, according to EN 60947-1)	3
Switching characteristics	2-stage push button

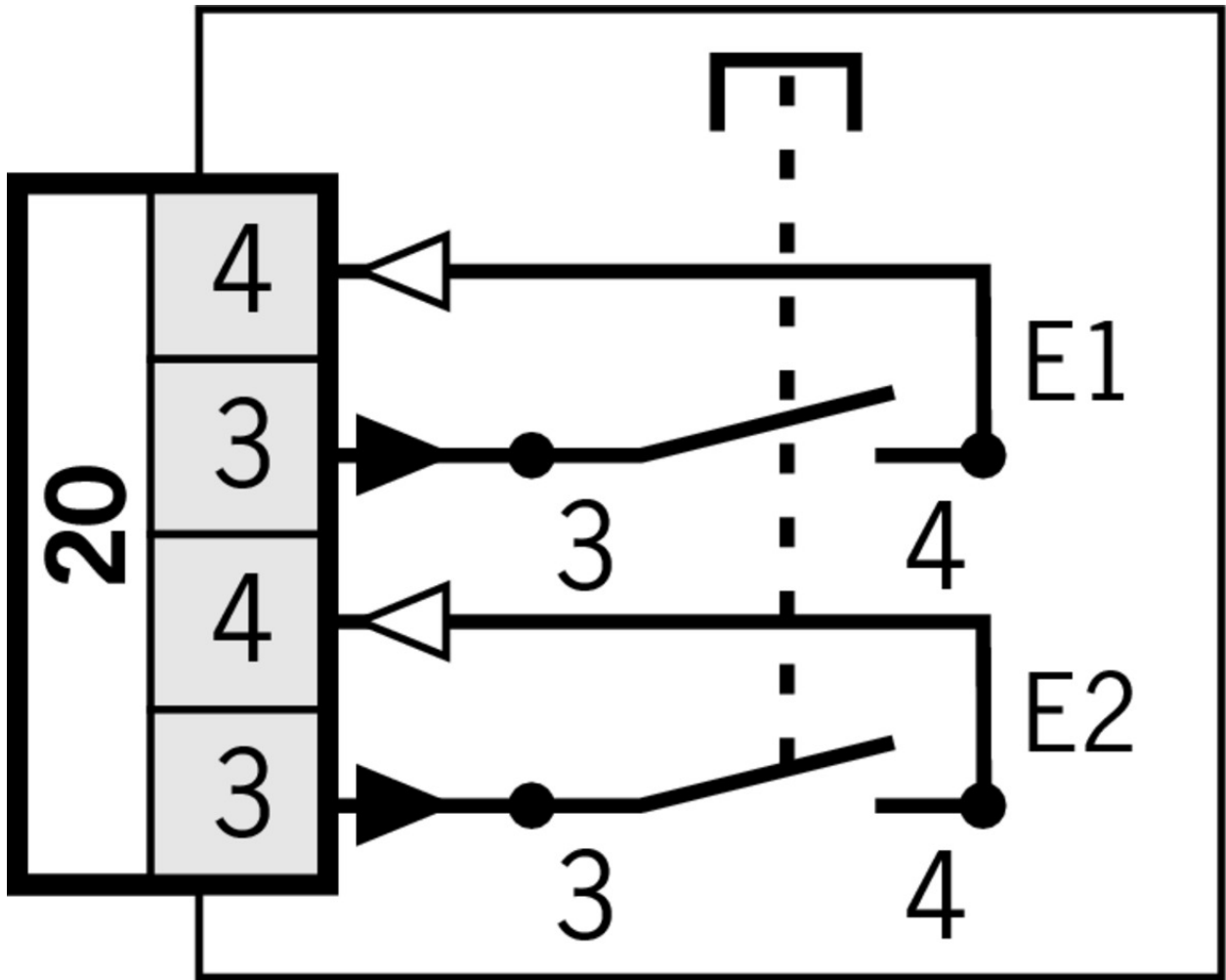
Miscellaneous

in compliance with	60947-5-1
--------------------	-----------

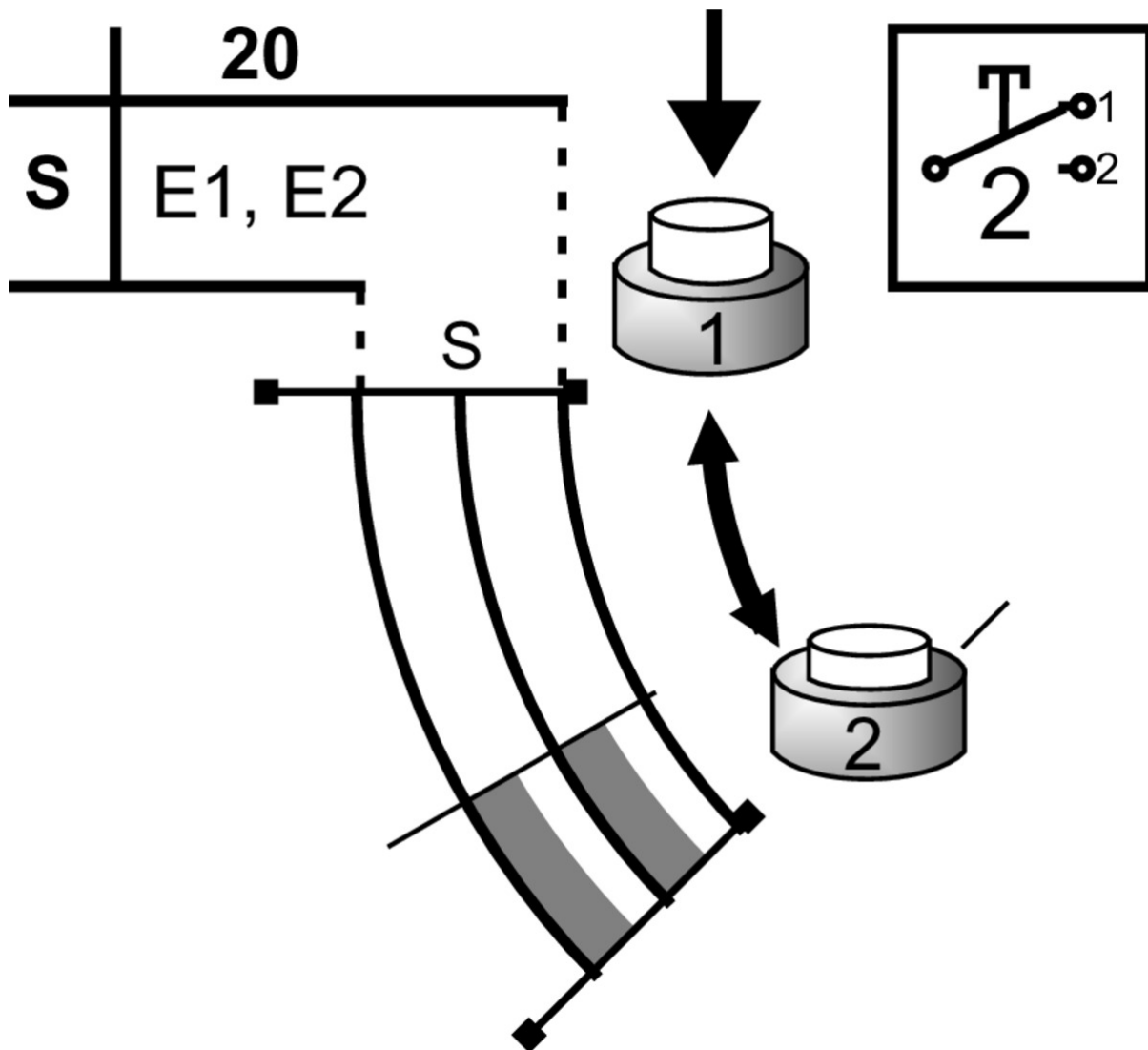
[1] In case of operating voltages other than 24 V, the short circuit protection must be dimensioned accordingly and checked.

Dimension drawing





Travel diagram



Legende

- open
- closed
- closed, enabling

Catalogs

Enabling switches ZS Commandes d'Assentiment ZS Zustimmungster ZS

	Doc. no.	Version	Language	Download
Zustimmungster ZS	095689	08-07/18		9.1 MB
Commandes d'Assentiment ZS	097367	08-07/18		4.9 MB



Declaration of conformity

EU-Konformitätserklärung

	Doc. no.	Version	Language	Download
EU-Konformitätserklärung	2109392	04-11/16		0.2 MB
Declaración UE de conformidad				
Déclaration UE de conformité				
Dichiarazione di conformità				
EU declaration of conformity				

CAD data

CAD data for this item on TraceParts