

ITEM 111276 ZXE-111276

Description	Technical data	Accessories	Downloads
-------------	----------------	-------------	-----------



Features

- › 3-stage function
- › Dual-channel version
- › 22.5 mm installation dimension
- › Snap-action switching contact
- › With click
- › Tab connectors

Notes

- › Enabling switch ZXE-111276 for use in housing HBA/HBM
- › A click sounds during the change from stage 1 to stage 2 and during the return from stage 2 to stage 1.

Switching element

2202 2NO/NC

- 1) From position 1 to position 2 -> NO contact; from position 2 to position 3 -> NC contact.

3-stage function

Enabling function is active only in the second stage (middle position, actuating

point). If the pushbutton is released or pushed further (panic function), the enabling is removed (dependent on the wiring, see function sequence).

Approvals



Mechanical values and environment

Rated actuating force according to EN 60947-5-8	max.100 N
Material	
Protective cap	CR, color black
Housing material	Polyamide, color black
Weight	
Net	0,03 kg
Ambient temperature	-5 ... 60 °C
Degree of protection	
On the front	IP65
Connections	IP00
Mechanical life	
Position 1-2-1	cyclesmin.0,1 x 10 ⁶
Position 1-2-3-1	cyclesmin.0,1 x 10 ⁶
Installation position	Any
Number of switching elements	2 NO
Connection	Plug connector 4-pin
Stripping length	5 mm
Actuating force	max.50 N [1]

Electrical connection ratings

Rated conditional short-circuit current	100 A
Utilization category according to EN 60947-5-2	
DC-13	0.1A 24V
Fusing	
external	0,1 A Medium slow-blow
Rated insulation voltage U _i	30 V
Rated impulse withstand voltage U _{imp}	1,5 kV
Switching current	5 ... 100 mA
Degree of contamination (external, according to EN 60947-1)	3
Connecting cable	
AWG	16 ... 22

Single-conductor, in mm	0,3 ... 1,4
Connection cross-section	
single conductor	1,5 mm ²
super fine strands	1 mm ²
Connection cross-section, AWG	16 AWG
Breaking capacity	max.0,25 W

Miscellaneous

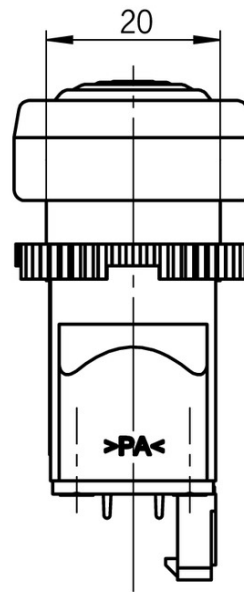
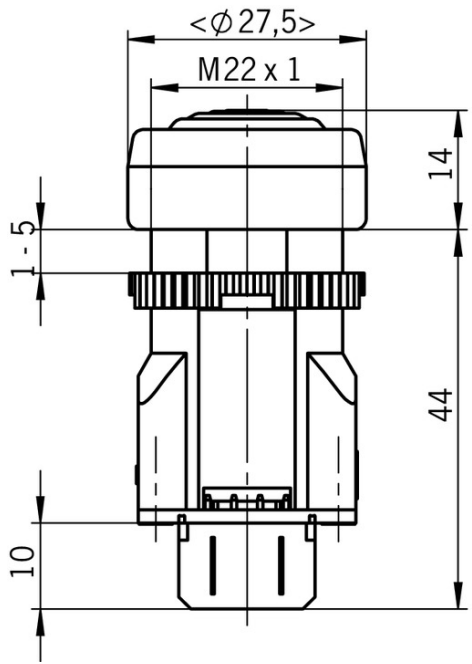
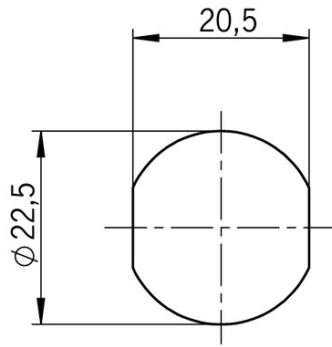
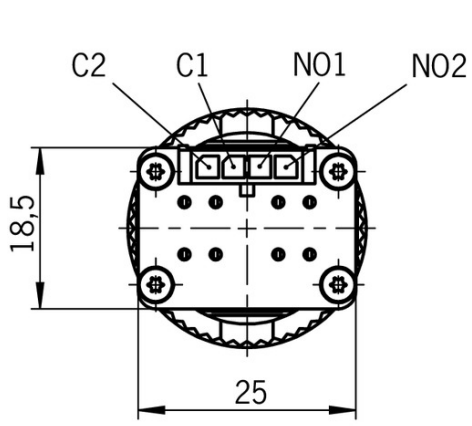
Additional feature	Click
in compliance with	DIN EN 60947-5-8
Color	
Housing	Black
Protective cap	Black

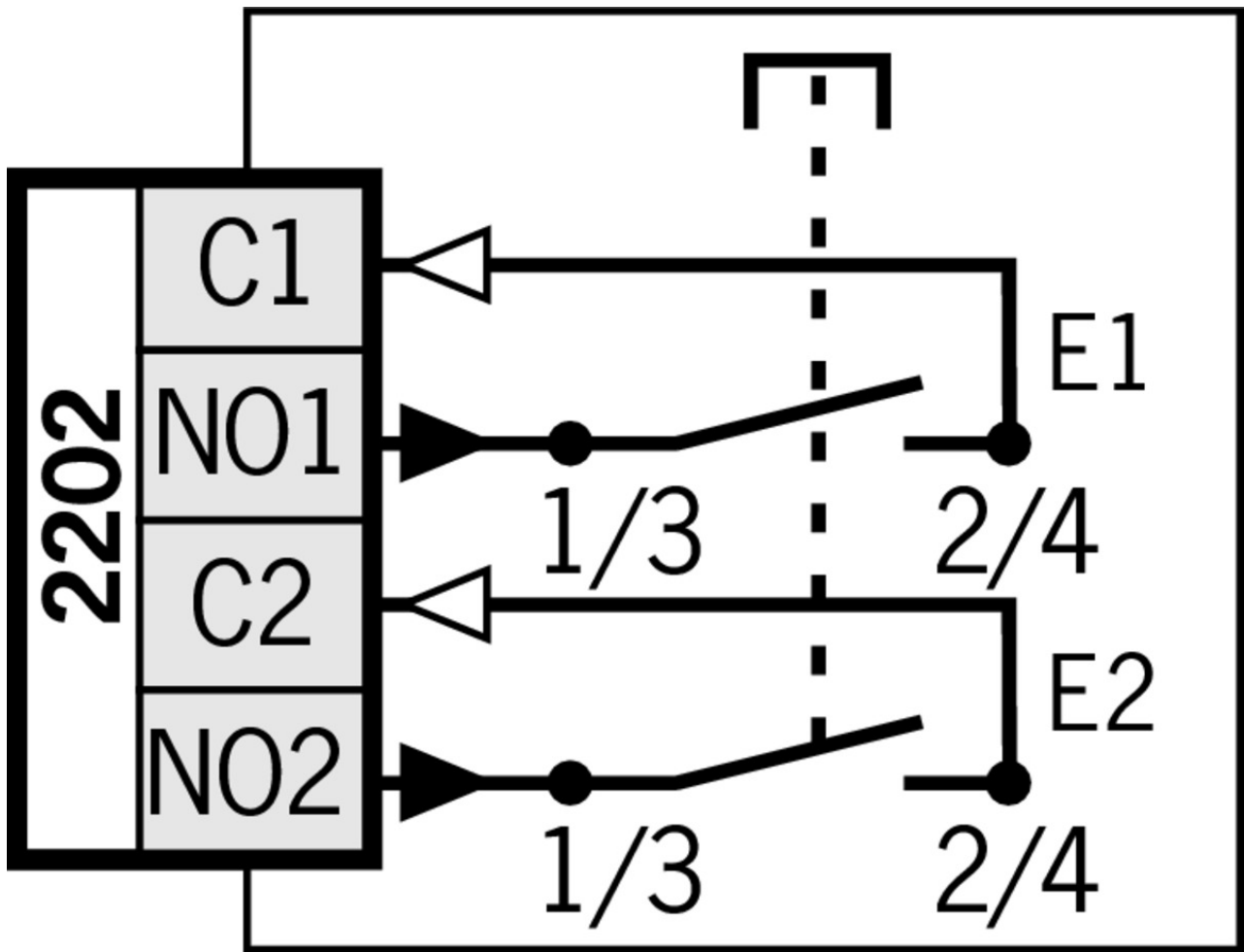
Reliability values acc. to EN ISO 13849-1

B10 _D	0,75 x 10 ⁶
------------------	------------------------

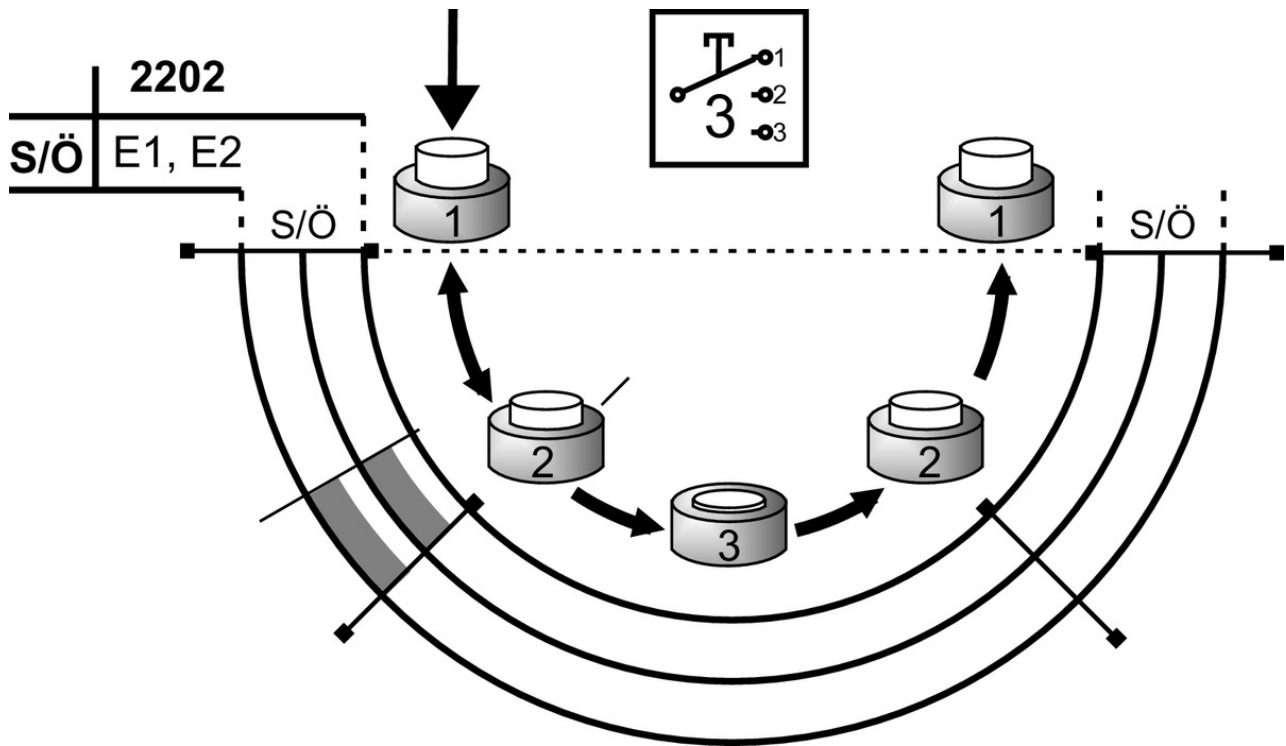
[1] from stage 2 to 3

Dimension drawing





Travel diagram



Legende

- open
- closed
- closed, enabling

Connection material

- Connection cable for enabling switch ZXE, straight



115123 ANSCHLUSSLEITUNG 2M FUER ZXE-111276

Features

- › Connection cable for ZXE 111276
- › Plug connector Molex Microfit, 4-pin
- › PVC cable, straight
- › Cable length 2 m
- › With flying lead

Instructions

- Betriebsanleitung Zustimmtaster ZXE

	Doc. no.	Version	Language	Download
Betriebsanleitung Zustimmungstaster ZXE	091418	05-12/13		 0.7 MB
Manual de instrucciones del pulsador de validación ZXE				
Mode d'emploi de la commande d'assentiment ZXE				
Istruzioni di impiego del pulsante di consenso ZXE				
Operating Instructions Enabling Switch ZXE				
Инструкция по эксплуатации выключателя подтверждения ZXE	091418	05-12/13		 0.4 MB






Catalogs

Enabling switches ZS Commandes d'Assentiment ZS Zustimmungstaster ZS

	Doc. no.	Version	Language	Download
Zustimmungstaster ZS	095689	08-07/18		 9.1 MB
Commandes d'Assentiment ZS	097367	08-07/18		 4.9 MB
Enabling switches ZS	095690	08-07/18		 4.9 MB

Declaration of conformity

EU-Konformitätserklärung

	Doc. no.	Version	Language	Download
EU-Konformitätserklärung	2109392	04-11/16		 0.2 MB
Declaración UE de conformidad				
Déclaration UE de conformité				
Dichiarazione di conformità				
EU declaration of conformity				