

ITEM 055423 ZSR2A1G05A

Description	Technical data	Accessories	Downloads
-------------	----------------	-------------	-----------



Features

- › 3-stage function
- › Housing G2
- › Straight connection cable, 5 m
- › Including holder

3-stage function

Enabling function is active only in the second stage (middle position, actuating point). If the pushbutton is released or pushed further (panic function), the enabling is removed (dependent on the wiring, see function sequence).

Cable

The high quality connection cables (individual screening of the safety contacts) are available straight.

Switching element

111 1 NO + 1 NC \ominus +1 NC

Approvals



Mechanical values and environment

Material	Housing	Plastic yellow
	Cap	Elastomer PAK arm, black
Weight	Net	1,5 kg
	Ambient temperature	-5 ... 50 °C
Degree of protection		IP65
Mechanical life	Position 1-2-1	$0,1 \times 10^6$
	Position 1-2-3-1	$0,1 \times 10^6$
Switching principle		Slow-action contact element
Number of positively driven contacts		1
Number of NC contacts		1
Number of NO contacts		1
Connection		Flying lead
Cable length	straight	5 m

Electrical connection ratings

Rated conditional short-circuit current		100 A
Utilization category according to EN 60947-5-1	AC-15	2A 230V
	DC-13	2A 24V
	Short circuit protection according to IEC 60269-1	
Rated insulation voltage U_i		250 V
Rated impulse withstand voltage U_{imp}		2,5 kV
Switching voltage	Min. at 10mA	12 V
	Switching current	
	Min. at 24V	1 mA
Degree of contamination (external, according to EN 60947-1)		3
Connecting cable		$6 \times 0.34 \text{ mm}^2$ [2]
Switching characteristics		3-stage enabling switch

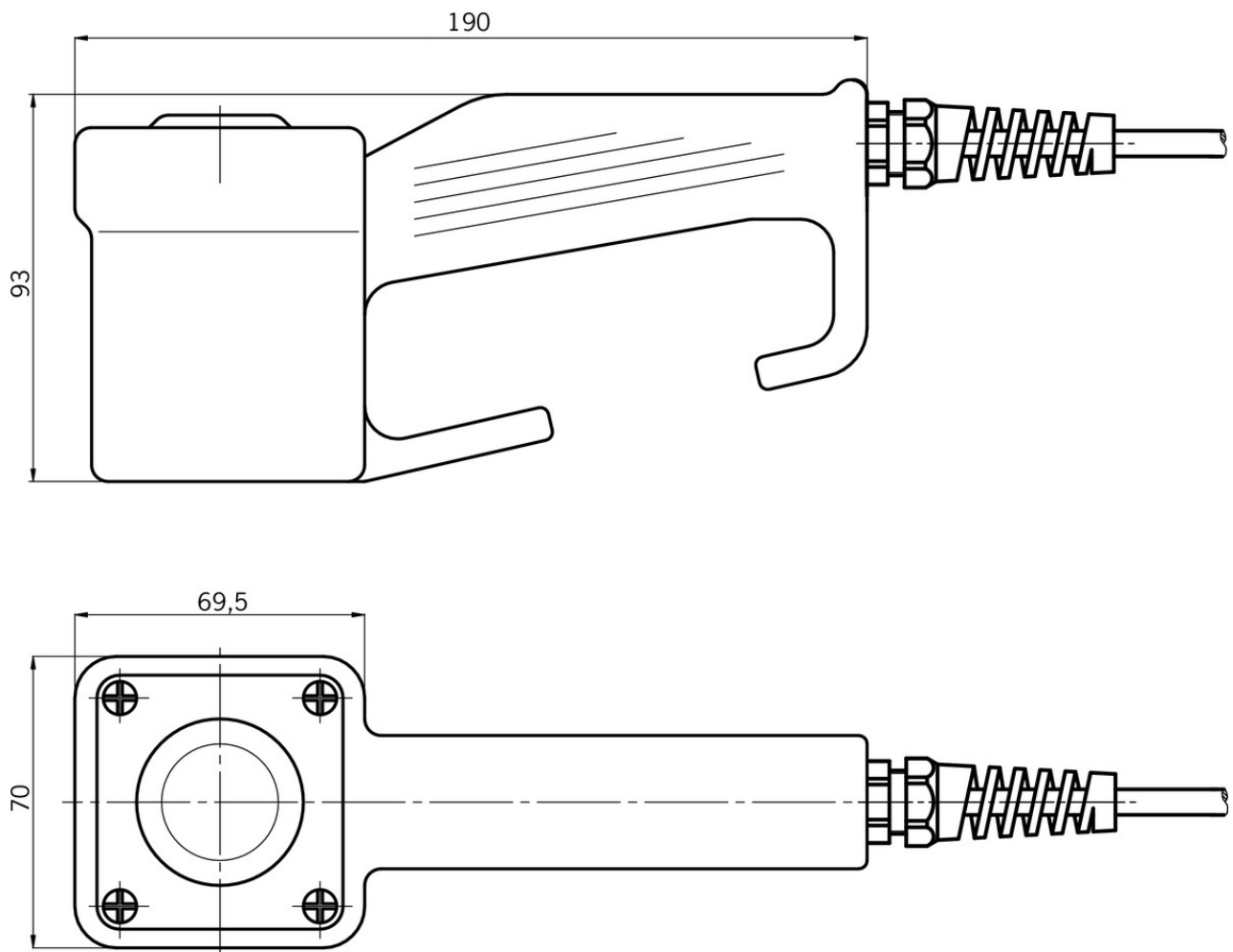
Miscellaneous

Reliability values acc. to EN ISO 13849-1

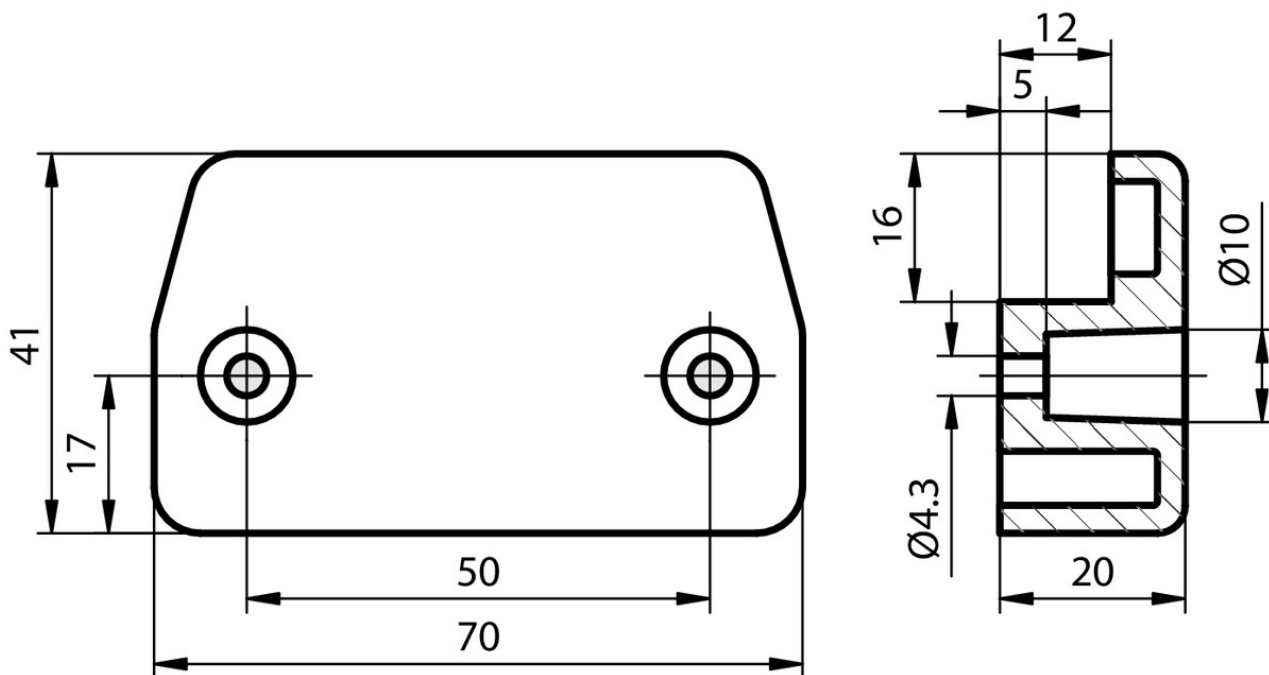
	Enabling switch
B10 _D	$0,5 \times 10^6$

[1] In case of operating voltages other than 24 V, the short circuit protection must be dimensioned accordingly and checked.

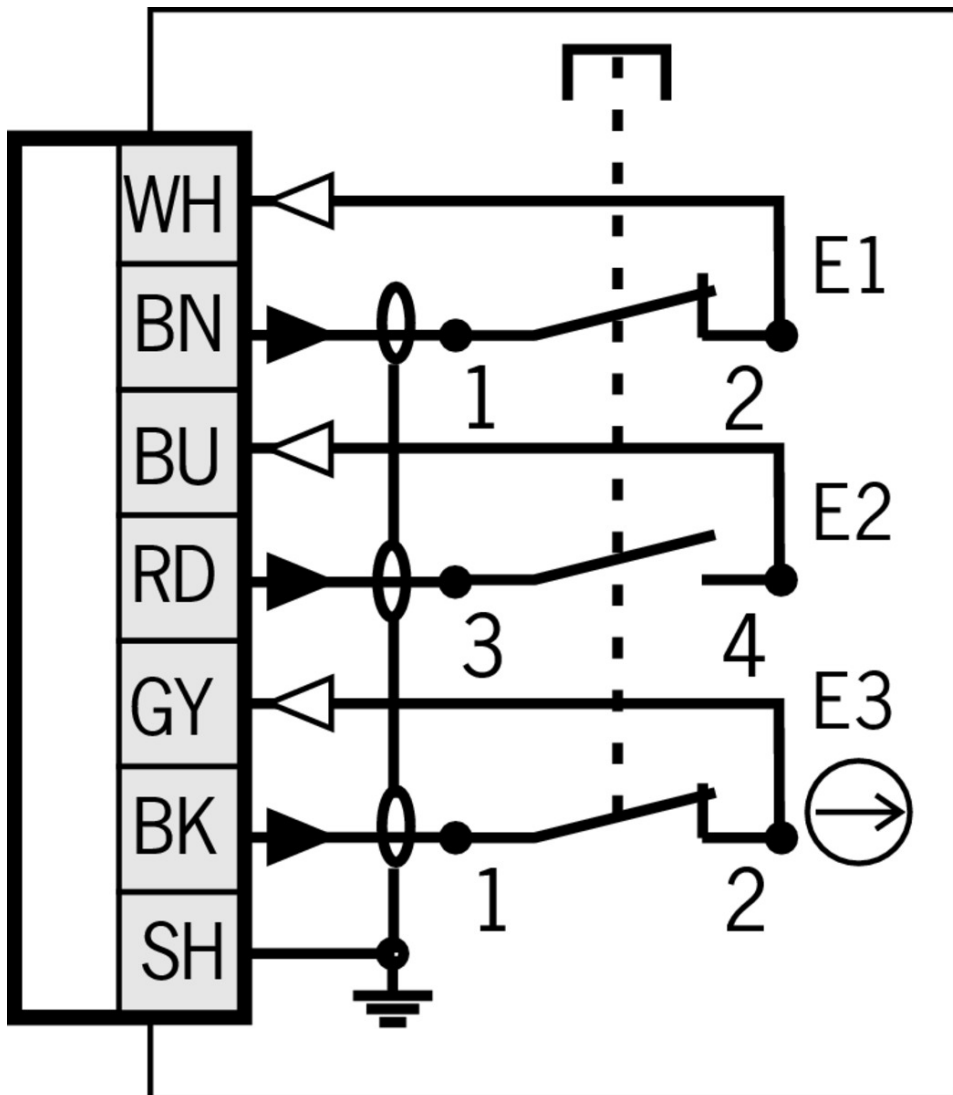
[2] 3x0.34mm² screened + 3x0.34mm² unscreened

Dimension drawing

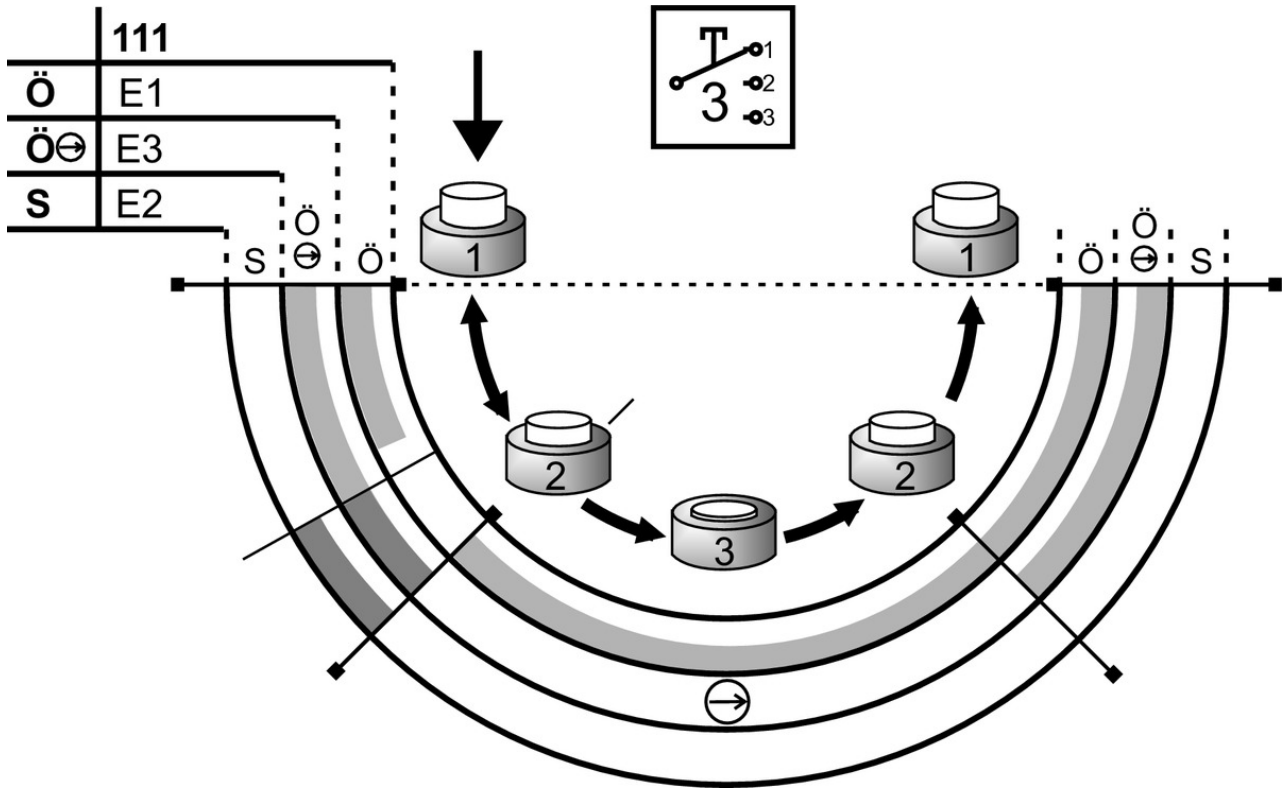
Dimension drawing



111



Travel diagram



Legende

- open
- closed
- closed, enabling

Instructions

- Betriebsanleitung Zustimmungstaster ZSA/ZSR

	Doc. no.	Version	Language	Download
Betriebsanleitung Zustimmungstaster ZSA/ZSR	092781	06-11/13		0.6 MB
Mode d'emploi de la commande d'assentiment ZSA/ZSR				
Istruzioni di impiego del pulsante di consenso ZSA/ZSR				
Operating Instructions Enabling Switch ZSA/ZSR				

Catalogs







- Enabling switches ZS Commandes d'Assentiment ZS Zustimmungstaster ZS

Doc. no. Version Language Download

Zustimmtaster ZS	095689	08-07/18		 9.1 MB
Commandes d'Assentiment ZS	097367	08-07/18		 4.9 MB
Enabling switches ZS	095690	08-07/18		 4.9 MB

Declaration of conformity

EU-Konformitätserklärung

	Doc. no.	Version	Language	Download
EU-Konformitätserklärung	2109392	04-11/16		 0.2 MB
Declaración UE de conformidad				
Déclaration UE de conformité				
Dichiarazione di conformità				
EU declaration of conformity				

CAD data

CAD data for this item on TraceParts