

## ITEM 055427 ZSR2A2G05A

Description	Technical data	Accessories	Downloads
-------------	----------------	-------------	-----------



### Features

- › 3-stage function
- › Housing G2
- › Straight connection cable, 5 m
- › Including holder

### Switching element

**210** 2 NO + 1 NC ↻

### Cable

The high quality connection cables (individual screening of the safety contacts) are available straight.

### 3-stage function

Enabling function is active only in the second stage (middle position, actuating point). If the pushbutton is released or pushed further (panic function), the enabling is removed (dependent on the wiring, see function sequence).

## Approvals



## Mechanical values and environment

Material	Housing	Plastic yellow
	Cap	Elastomer PAK arm, black
Weight	Net	1,5 kg
	Ambient temperature	-5 ... 50 °C
Degree of protection	IP65	
Mechanical life	Position 1-2-1	$0,1 \times 10^6$
	Position 1-2-3-1	$0,1 \times 10^6$
Switching principle	Slow-action contact element	
Number of positively driven contacts	1	
Number of NO contacts	2	
Connection	Flying lead	
Cable length	straight	5 m

## Electrical connection ratings

Rated conditional short-circuit current	100 A	
Utilization category according to EN 60947-5-1	AC-15	2A 230V
	DC-13	2A 24V
	Short circuit protection according to IEC 60269-1	2A gG [1]
Rated insulation voltage $U_i$	250 V	
Rated impulse withstand voltage $U_{imp}$	2,5 kV	
Switching voltage	Min. at 10mA	12 V
	Switching current	Min. at 24V
Degree of contamination (external, according to EN 60947-1)	3	
Connecting cable	$6 \times 0.34 \text{mm}^2$ [2]	
Switching characteristics	3-stage enabling switch	

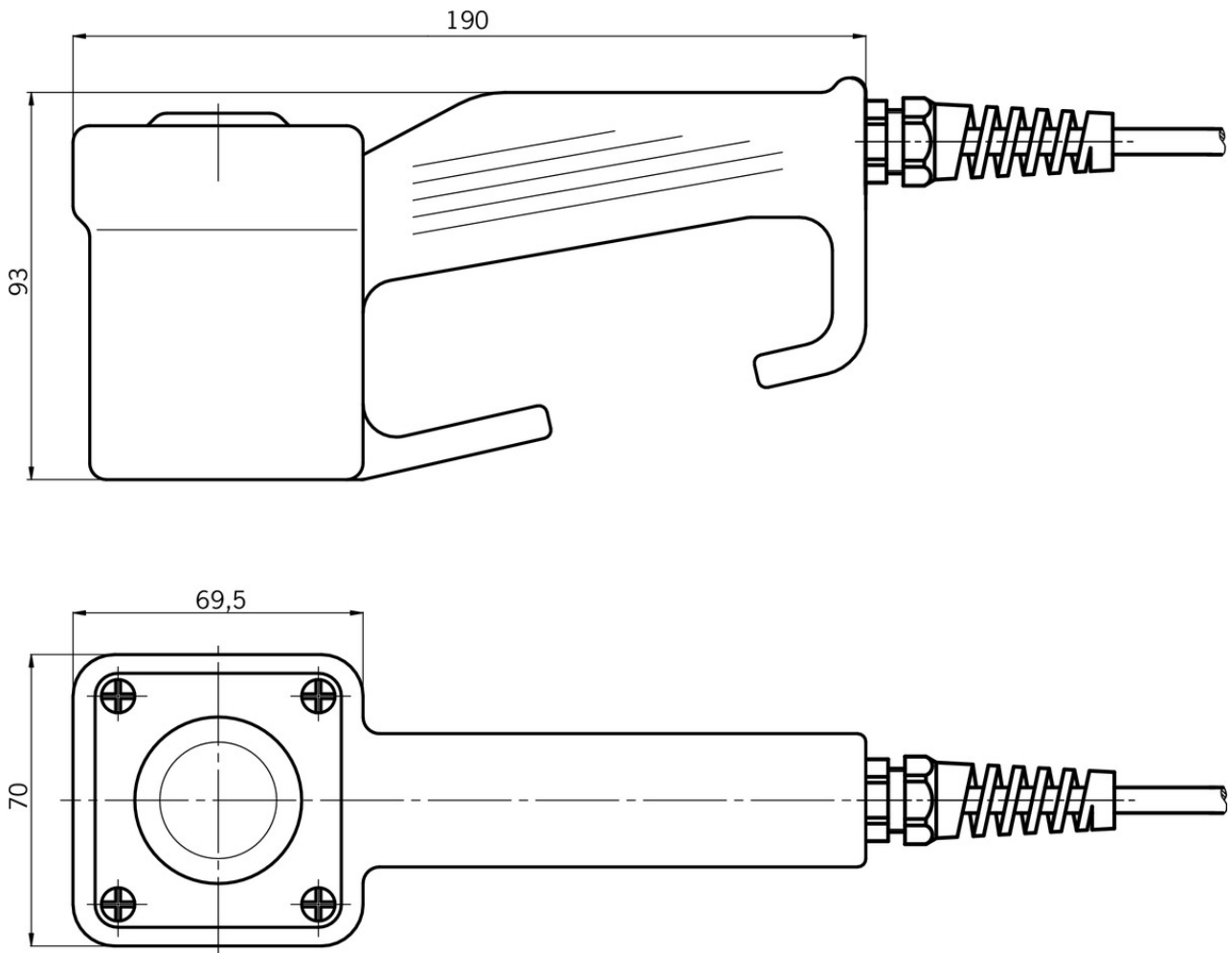
## Miscellaneous

**Reliability values acc. to EN ISO 13849-1**

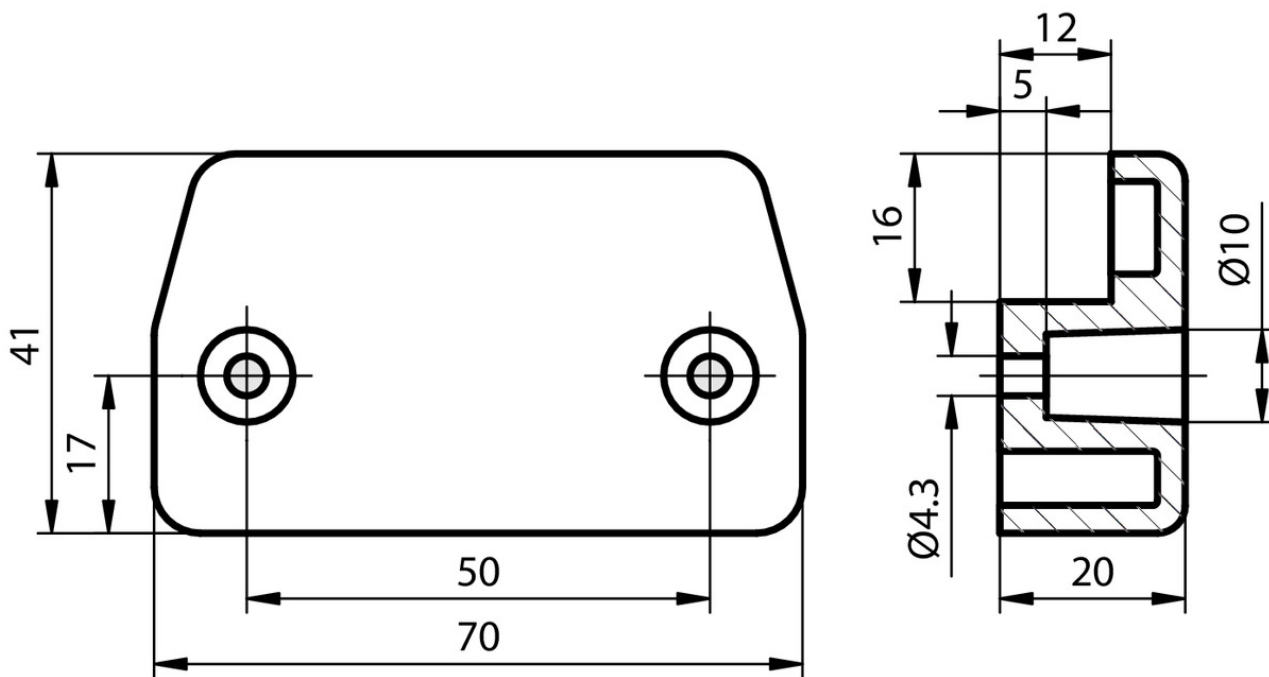
	Enabling switch
B10 <sub>D</sub>	$0,5 \times 10^6$

[1] In case of operating voltages other than 24 V, the short circuit protection must be dimensioned accordingly and checked.

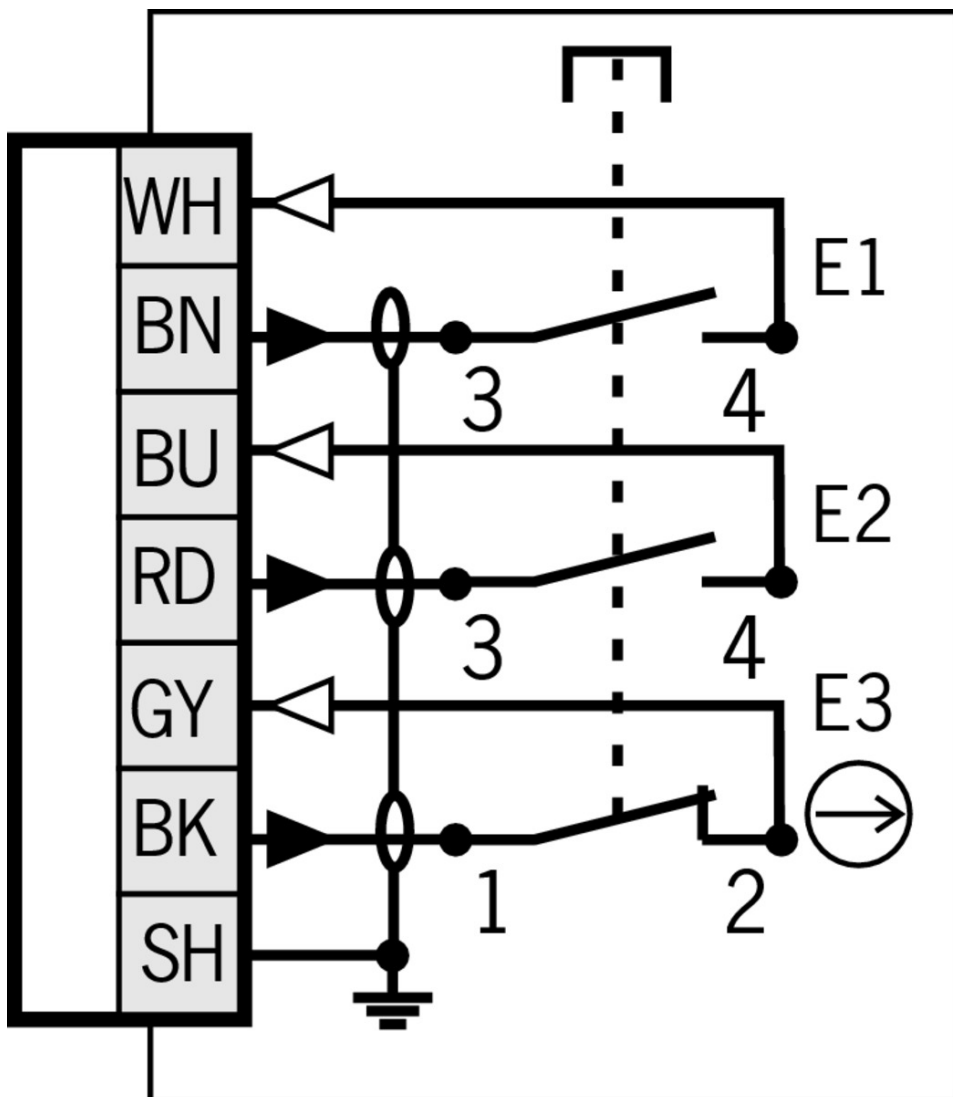
[2] 3x0.34mm<sup>2</sup> screened + 3x0.34mm<sup>2</sup> unscreened

**Dimension drawing**

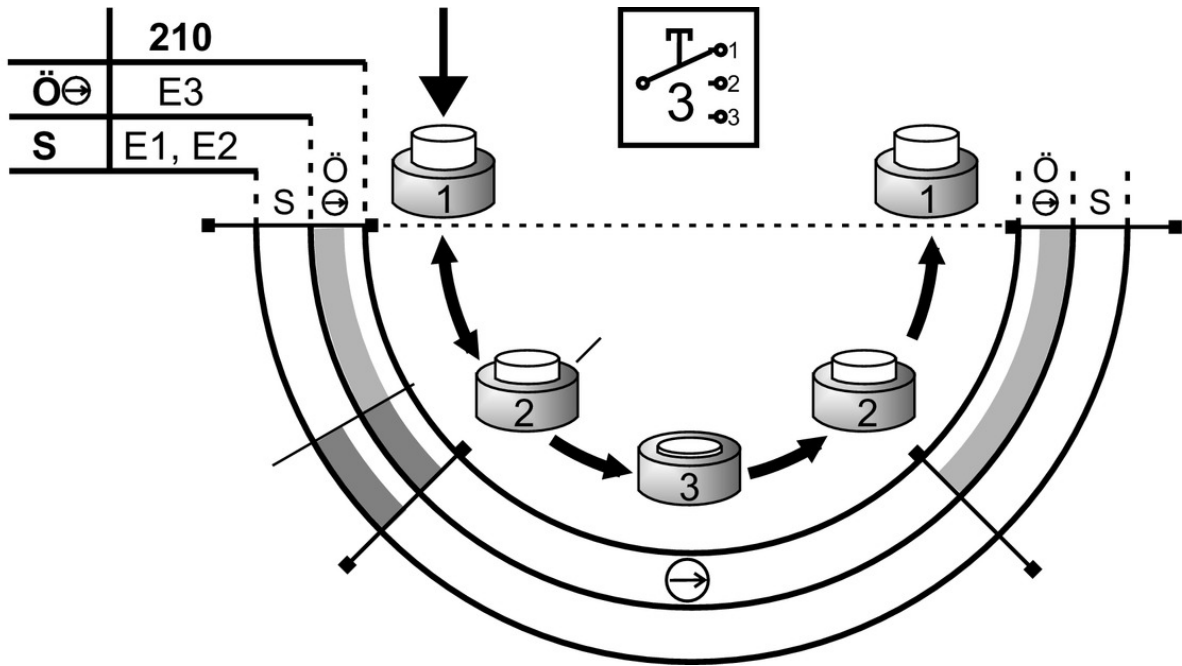
Dimension drawing



210



## Travel diagram



## Legende

- open
- closed
- closed, enabling

## Instructions

- Betriebsanleitung Zustimmtaster ZSA/ZSR

	Doc. no.	Version	Language	Download
Betriebsanleitung Zustimmtaster ZSA/ZSR	092781	06-11/13		0.6 MB
Mode d'emploi de la commande d'assentiment ZSA/ZSR				
Istruzioni di impiego del pulsante di consenso ZSA/ZSR				
Operating Instructions Enabling Switch ZSA/ZSR				

## Catalogs

- Enabling switches ZS Commandes d'Assentiment ZS Zustimmtaster ZS

	Doc. no.	Version	Language	Download
Zustimmtaster ZS	095689	08-07/18		9.1 MB
Commandes d'Assentiment ZS	097367	08-07/18		4.9 MB



## Declaration of conformity

### EU-Konformitätserklärung

	Doc. no.	Version	Language	Download
EU-Konformitätserklärung	2109392	04-11/16		0.2 MB
Declaración UE de conformidad				
Déclaration UE de conformité				
Dichiarazione di conformità				
EU declaration of conformity				

## CAD data

CAD data for this item on TraceParts