

ITEM 072969 ZSA072969C1983

Description	Technical data	Accessories	Downloads
-------------	----------------	-------------	-----------



Features

- › Housing G1
- › 3-stage function
- › Straight connection cable, 15 m
- › LED

Switching element

2220 2 NO/NC ⊕

Cable

The high quality connection cables (individual screening of the safety contacts) are available straight.

LEDs

The LEDs are used for visual feedback direct at the enabling switch.

3-stage function

Enabling function is active only in the second stage (middle position, actuating point). If the pushbutton is released or pushed further (panic function), the enabling is removed (dependent on the wiring, see function sequence).

Approvals



Mechanical values and environment

Material	Plastic
Weight	
	Net 3 kg
Ambient temperature	-5 ... 50 °C
Degree of protection	IP65
Mechanical life	
	Position 1-2-1 0,1 x 10 ⁶
	Position 1-2-3-1 0,1 x 10 ⁶
Switching principle	Slow-action contact element
Number of positively driven contacts	2
Number of NO contacts	2
Connection	Flying lead
Cable length	
	straight 15 m

Electrical connection ratings

Rated conditional short-circuit current	100 A
Utilization category according to EN 60947-5-1	
	AC-15 2A 24V 400mA 24V
	DC-13 2A 24V 100mA 24V
Short circuit protection according to IEC 60269-1	
	2A gG ^[1]
Additional elements at 24V	0.1A gG ^[2]
Rated insulation voltage U _i	32 V
Rated impulse withstand voltage U _{imp}	2,5 kV
Switching voltage	
	Min. at 10mA 12 V
Switching current	
	Min. at 24 V 1 mA

Degree of contamination (external, according to EN 60947-1)	3
Connecting cable	8x0.34mm ² [3]
Switching characteristics	3-stage enabling switch

Miscellaneous

Additional feature	Version	2 LED (gn)
in compliance with		60947-5-8

Reliability values acc. to EN ISO 13849-1

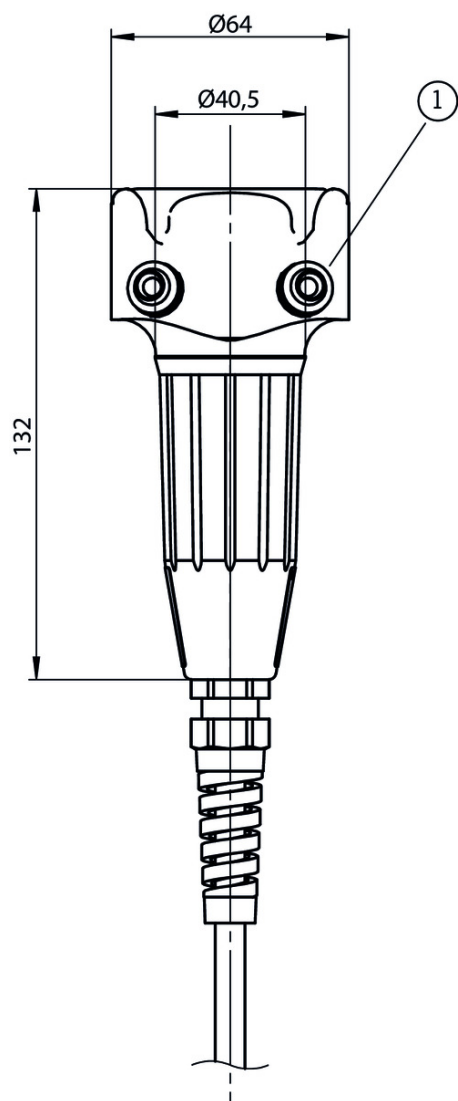
	Enabling switch
B10 _D	0,5 x 10 ⁶

[1] In case of operating voltages other than 24V, the short circuit protection must be dimensioned accordingly and checked.

[2] In case of operating voltages other than DC 24V, the short circuit protection must be dimensioned accordingly and checked.

[3] 4x0.34mm² screened + 4x0.34mm² unscreened

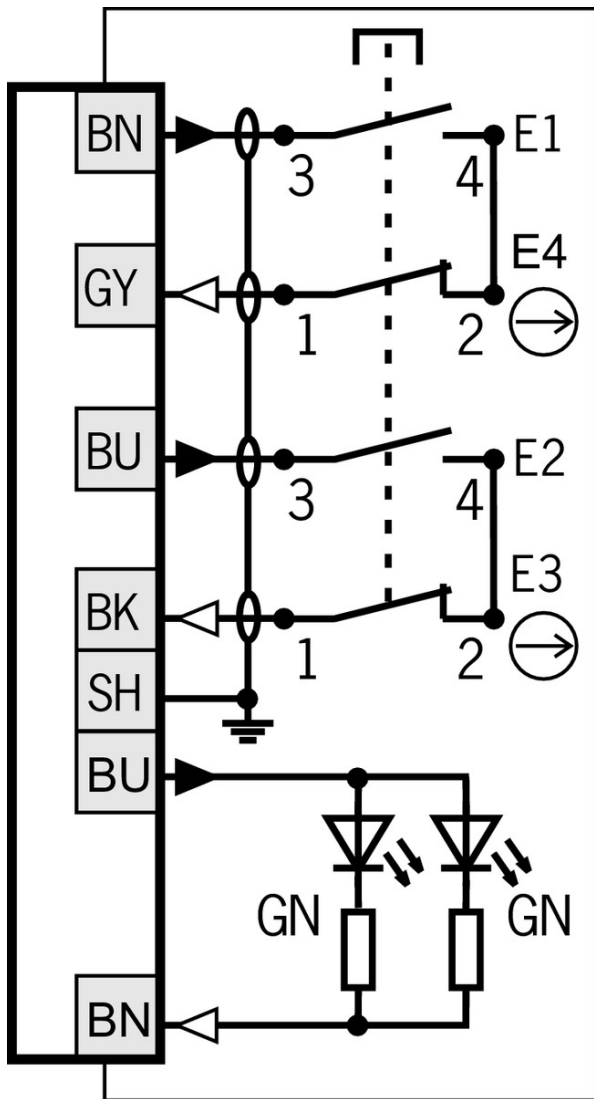
Dimension drawing



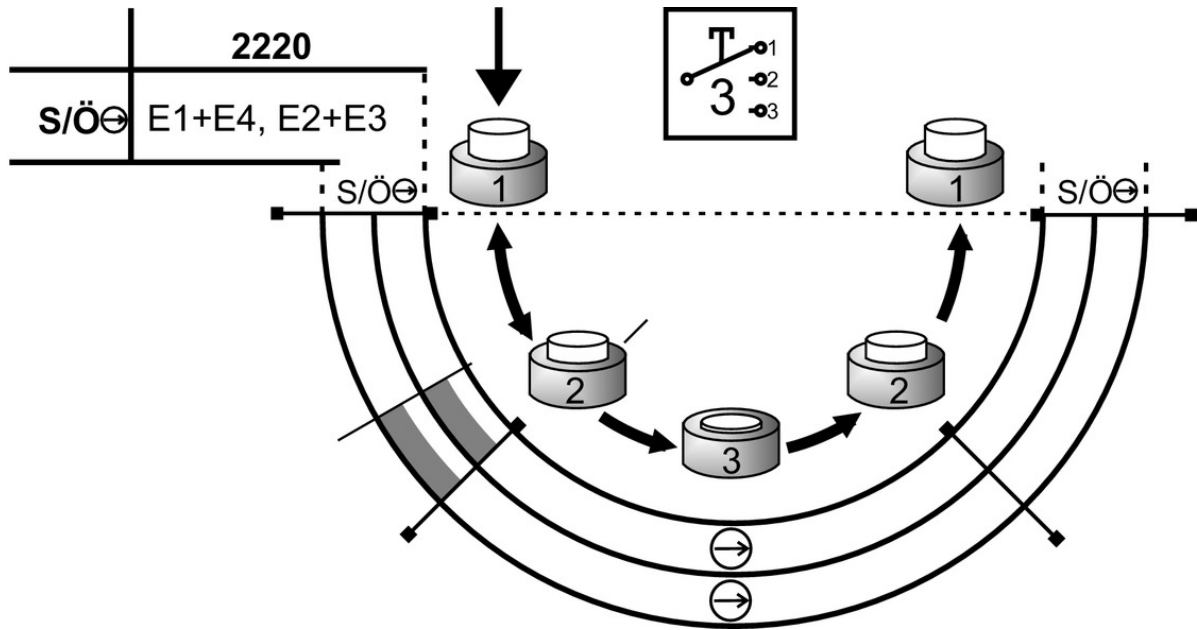
Legende

1 LED GN (2x)

2220 with 2 LEDs



Travel diagram



Legende

- open
- closed
- closed, enabling

Mounting accessories

- Magnetic holder for hand-held enabling switches



059340 MAGNETHALTERUNG ZUSTIMMTASTER

Features

Magnetic holder for housing G1

- Screw holder with cable hook for hand-held enabling switches

047820 LEITUNGSHALTER

Features

Screw holder for housing G1 with cable hook

- Screw holder for hand-held enabling switches

052406 HALTER KPL.

Features

Screw holder for housing G1



Instructions

▼ Betriebsanleitung Zustimmungstaster ZSA/ZSR

	Doc. no.	Version	Language	Download
Betriebsanleitung Zustimmungstaster ZSA/ZSR	092781	06-11/13		 0.6 MB
Mode d'emploi de la commande d'assentiment ZSA/ZSR				
Istruzioni di impiego del pulsante di consenso ZSA/ZSR				
Operating Instructions Enabling Switch ZSA/ZSR				







Catalogs

▼ Enabling switches ZS Commandes d'Assentiment ZS Zustimmungstaster ZS

	Doc. no.	Version	Language	Download
Zustimmungstaster ZS	095689	08-07/18		 9.1 MB
Commandes d'Assentiment ZS	097367	08-07/18		 4.9 MB
Enabling switches ZS	095690	08-07/18		 4.9 MB

Declaration of conformity

▼ EU-Konformitätserklärung

	Doc. no.	Version	Language	Download
EU-Konformitätserklärung	2109392	04-11/16		 0.2 MB
Declaración UE de conformidad				
Déclaration UE de conformité				
Dichiarazione di conformità				
EU declaration of conformity				

CAD data

CAD data for this item on TraceParts