

ITEM 094321 ZSA1A2S05A

Description	Technical data	Accessories	Downloads
-------------	----------------	-------------	-----------



Features

- › Housing G1
- › 2-stage function
- › Coiled connection cable, 5 m

Switching element

21 2 NO + 1 NC

Cable

The high quality connection cables (individual screening of the safety contacts) are available coiled.

2-stage function

Enabling function is active in the second stage (pressed position). When the button is released, the enabling is removed (see function sequence).
As per VDI 2854, a device comparable to an EMERGENCY STOP device must be fitted!

Approvals



Mechanical values and environment

Material	Plastic
Weight	
Net	2 kg
Ambient temperature	-5 ... 50 °C
Degree of protection	IP67
Mechanical life	
Position 1-2-1	0,1 x 10 ⁶
Switching principle	Slow-action contact element
Number of NC contacts	1
Number of NO contacts	2
Connection	Flying lead
Cable length	
coiled	5 m

Electrical connection ratings

Rated conditional short-circuit current	100 A
Utilization category according to EN 60947-5-1	
AC-15	2A 230V
DC-13	2A 24V
Short circuit protection according to IEC 60269-1	2A gG [1]
Rated insulation voltage U _i	250 V
Rated impulse withstand voltage U _{imp}	2,5 kV
Switching voltage	
Min. at 10mA	12 V
Switching current	
Min. at 24V	1 mA
Degree of contamination (external, according to EN 60947-1)	3
Connecting cable	6x0.34mm ² [2]
Switching characteristics	2-stage enabling switch

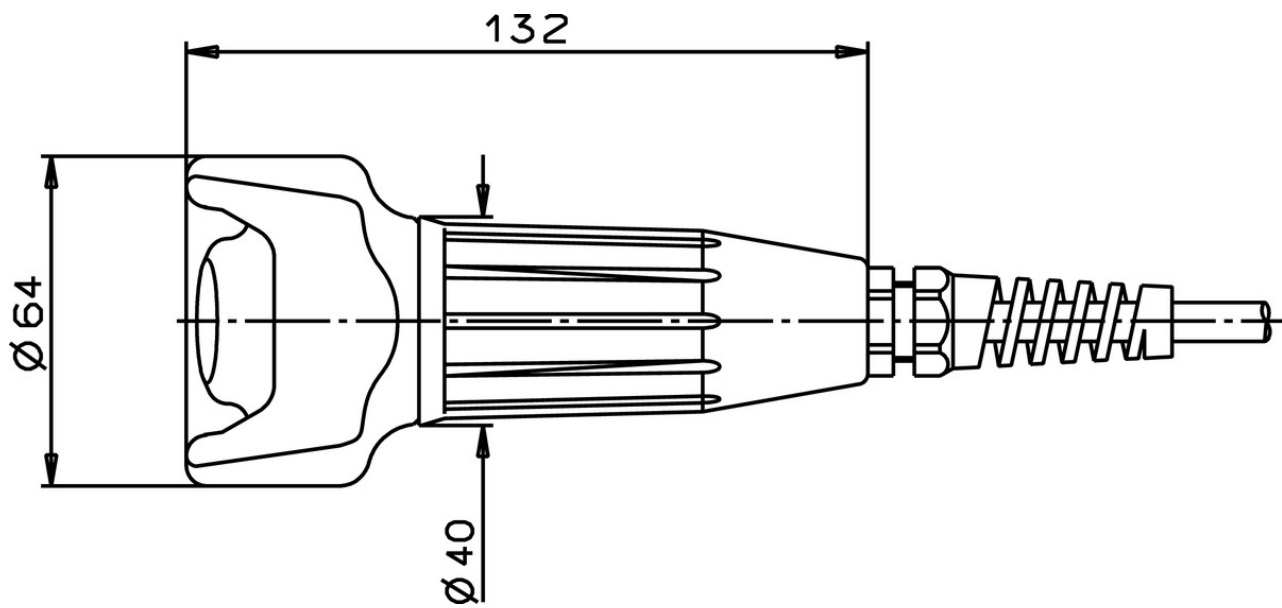
Miscellaneous

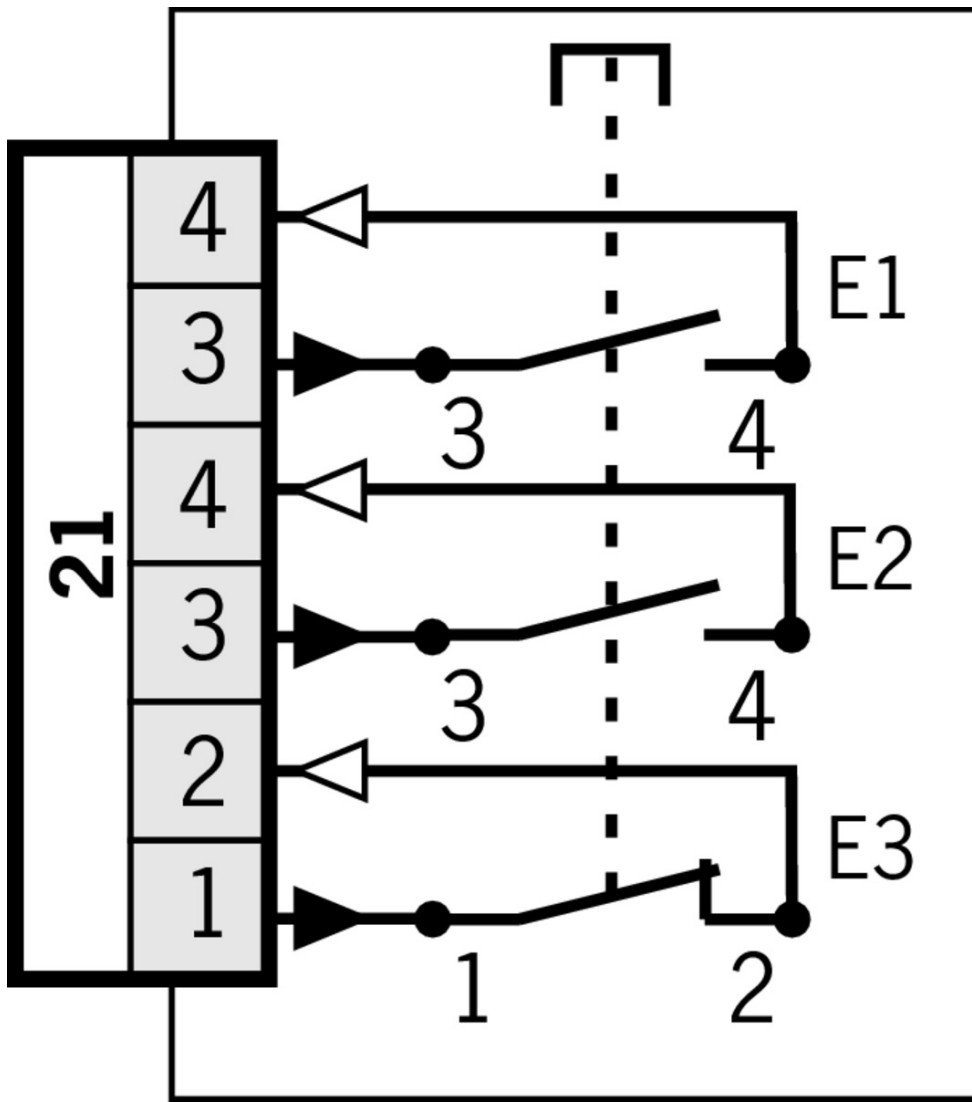
in compliance with	60947-5-1
--------------------	-----------

[1] In case of operating voltages other than 24 V, the short circuit protection must be dimensioned accordingly and checked.

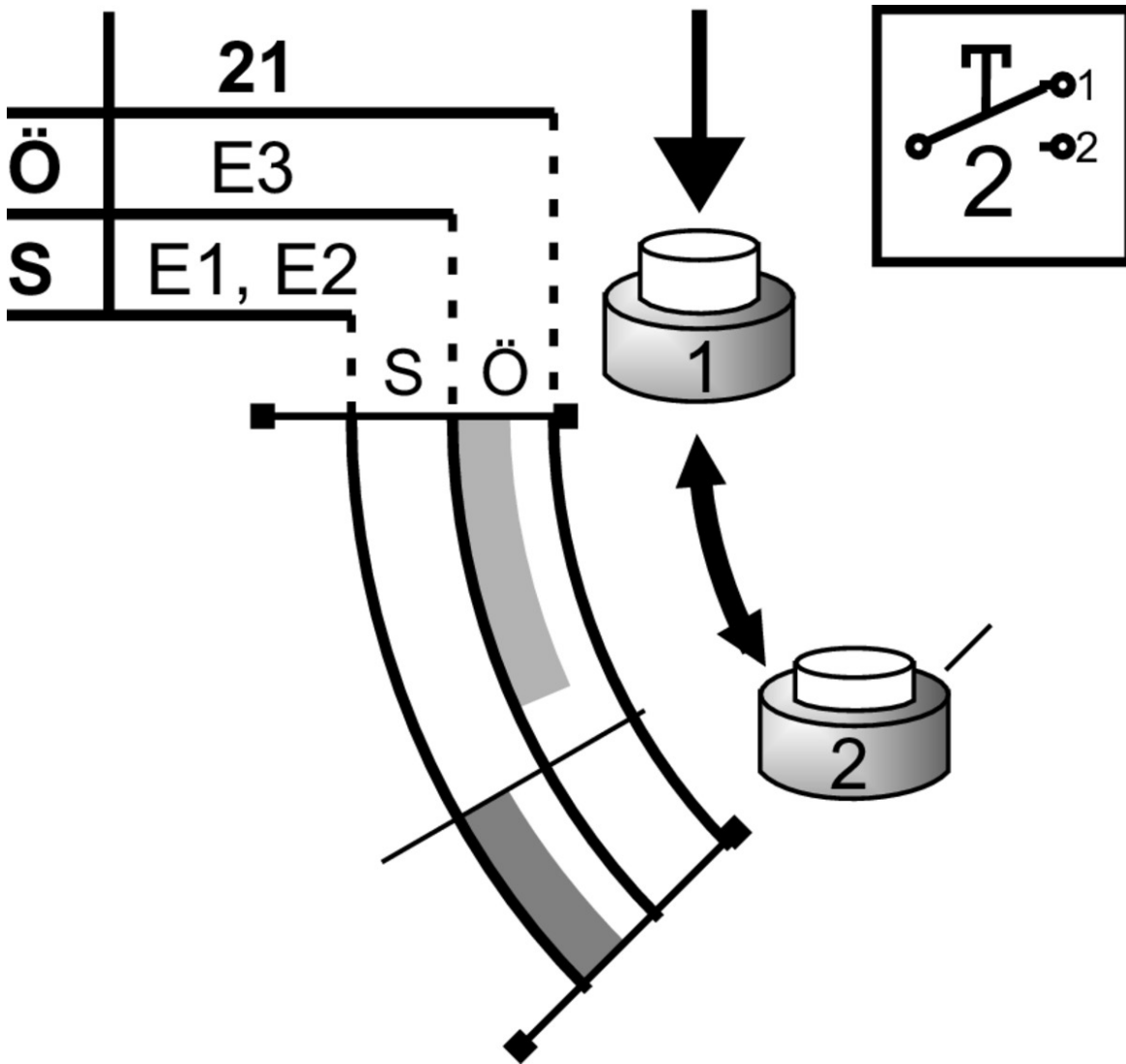
[2] 3x0.34mm² screened + 3x0.34mm² unscreened

Dimension drawing





Travel diagram



Legende

- open
- closed
- closed, enabling

Mounting accessories

- Magnetic holder for hand-held enabling switches



059340 MAGNETHALTERUNG ZUSTIMMTASTER

Features

Magnetic holder for housing G1

- Screw holder for hand-held enabling switches

052406 HALTER KPL.

▼ Features

Screw holder for housing G1

▼ Screw holder with cable hook for hand-held enabling switches

047820 LEITUNGSHALTER

▼ Features

Screw holder for housing G1 with cable hook



Instructions

▼ Betriebsanleitung Zustimmtaster ZSA/ZSR

	Doc. no.	Version	Language	Download
Betriebsanleitung Zustimmtaster ZSA/ZSR	092781	06-11/13		 0.6 MB
Mode d'emploi de la commande d'assentiment ZSA/ZSR				
Istruzioni di impiego del pulsante di consenso ZSA/ZSR				
Operating Instructions Enabling Switch ZSA/ZSR				

Catalogs

▼ Enabling switches ZS Commandes d'Assentiment ZS Zustimmtaster ZS

	Doc. no.	Version	Language	Download
Zustimmtaster ZS	095689	08-07/18		 9.1 MB
Commandes d'Assentiment ZS	097367	08-07/18		 4.9 MB
Enabling switches ZS	095690	08-07/18		 4.9 MB

CAD data

CAD data for this item on TraceParts