

**ITEM 086681 ZSA086681C1979**

Description	Technical data	Accessories	Downloads
-------------	----------------	-------------	-----------



**Features**

- › Housing G1
- › 3-stage function
- › Plug connector
- › 2 LEDs
- › Actuator for safety switch NZ.VZ or TZ

*Similar to figure*

**Switching element**

**2220** 2 NO/NC ↻

**LEDs**

The LEDs are used for visual feedback direct at the enabling switch.

**Actuator**

Suitable for safety switch NZ.VZ/TZ (see catalog for safety switches with metal housing). By using an appropriate safety switch as the holder for the enabling switch, the position of the enabling switch can be safely sampled. By suitable integration of this combination, the signal from the safety switch can be used,

e.g. as an operating mode selector switch, when the actuator is removed (removal of the enabling switch).

### 3-stage function

Enabling function is active only in the second stage (middle position, actuating point). If the pushbutton is released or pushed further (panic function), the enabling is removed (dependent on the wiring, see function sequence).

### Approvals



### Mechanical values and environment

Material	Plastic
Weight	Net 0,5 kg
Ambient temperature	-5 ... 50 °C
Degree of protection	IP65
Mechanical life	Position 1-2-1 0,1 x 10 <sup>6</sup> Position 1-2-3-1 0,1 x 10 <sup>6</sup>
Switching principle	Slow-action contact element
Number of positively driven contacts	2
Number of NO contacts	2
Connection	Plug connector number of pins 8

### Electrical connection ratings

Rated conditional short-circuit current	100 A
Utilization category according to EN 60947-5-1	AC-15 2A 24V 400mA 24V DC-13 2A 24V 100mA 24V
Short circuit protection according to IEC 60269-1	2A gG <sup>[1]</sup> 0.1A gG <sup>[2]</sup>
Rated insulation voltage U <sub>i</sub>	32 V
Rated impulse withstand voltage U <sub>imp</sub>	0,8 kV
Switching voltage	Min. at 10mA 12 V

Switching current	Min. at 24 V	1 mA
Degree of contamination (external, according to EN 60947-1)		3
Switching characteristics		3-stage enabling switch

### Miscellaneous

Additional feature	Version	2 LED (gn, ye), NZVZ actuator fitted
in compliance with		60947-5-8

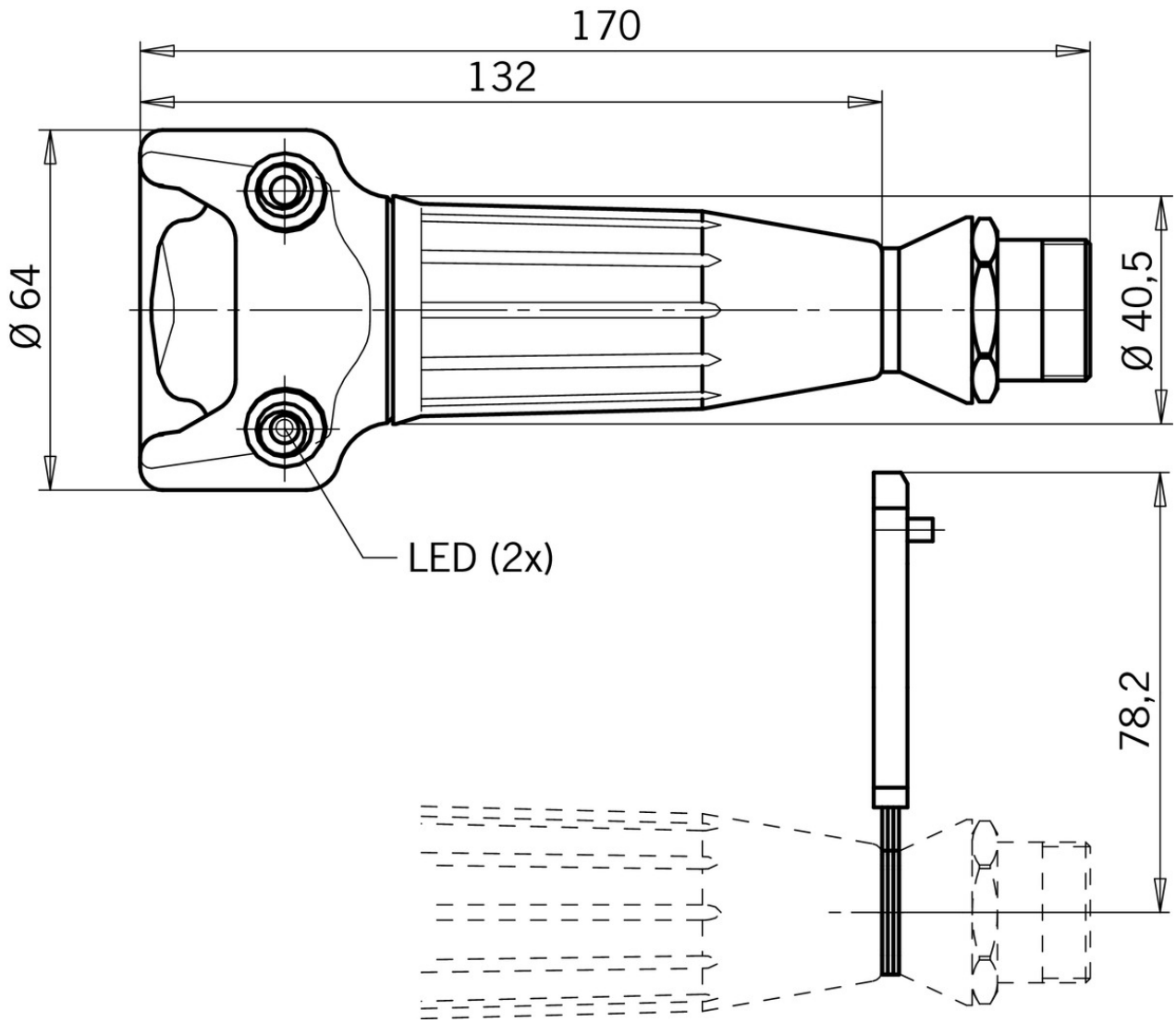
### Reliability values acc. to EN ISO 13849-1

	Enabling switch
B10 <sub>D</sub>	0,5 x 10 <sup>6</sup>

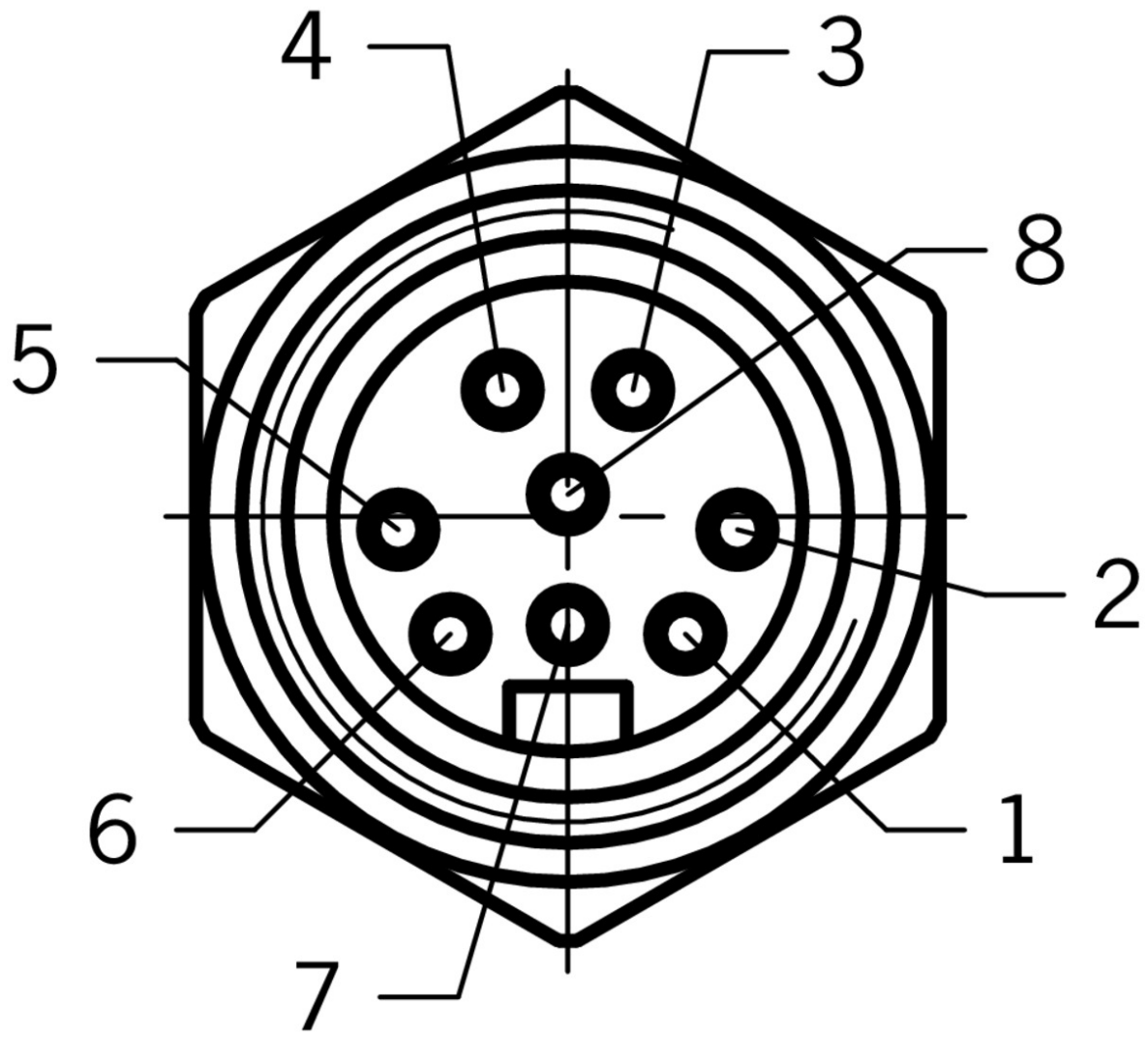
**[1]** In case of operating voltages other than 24V, the short circuit protection must be dimensioned accordingly and checked.

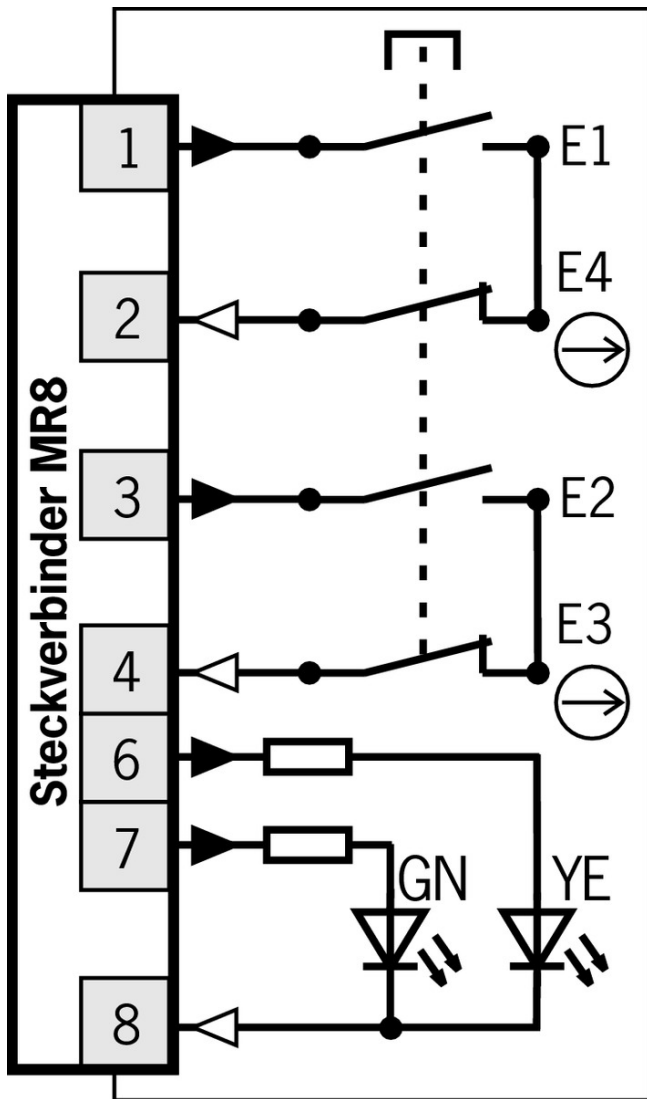
**[2]** In case of operating voltages other than DC 24V, the short circuit protection must be dimensioned accordingly and checked.

**Dimension drawing**

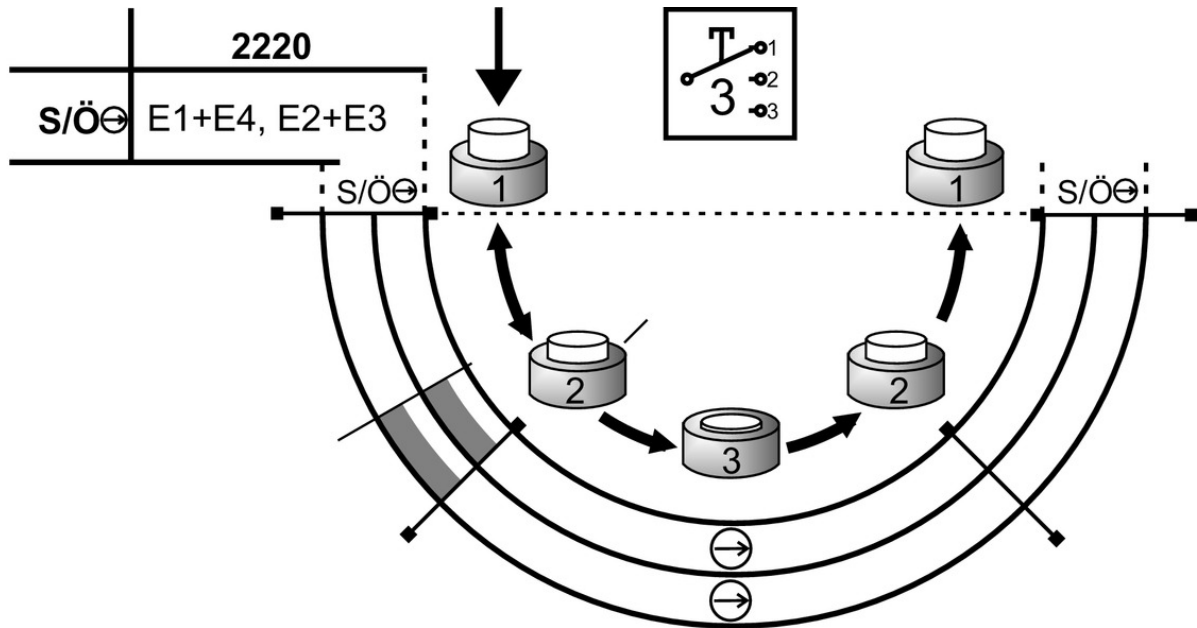


Dimension drawing





## Travel diagram



## Legende

- open
- closed
- closed, enabling

## Mounting accessories

- Magnetic holder for hand-held enabling switches



**059340** MAGNETHALTERUNG ZUSTIMMTASTER

Features

Magnetic holder for housing G1

- Screw holder for hand-held enabling switches

**052406** HALTER KPL.

Features

Screw holder for housing G1

- Screw holder with cable hook for hand-held enabling switches

**047820** LEITUNGSHALTER

Features

Screw holder for housing G1 with cable hook







## Instructions

### Betriebsanleitung Zustimmtaster ZSA/ZSR

	Doc. no.	Version	Language	Download
Betriebsanleitung Zustimmtaster ZSA/ZSR	092781	06-11/13		 0.6 MB
Mode d'emploi de la commande d'assentiment ZSA/ZSR				
Istruzioni di impiego del pulsante di consenso ZSA/ZSR				
Operating Instructions Enabling Switch ZSA/ZSR				

## Declaration of conformity

### EU-Konformitätserklärung

	Doc. no.	Version	Language	Download
EU-Konformitätserklärung	2109392	04-11/16		 0.2 MB
Declaración UE de conformidad				
Déclaration UE de conformité				
Dichiarazione di conformità				
EU declaration of conformity				

## CAD data

CAD data for this item on TraceParts