

ITEM 092738 ZSA2A4G05C-C2041

| Description | Technical data | Accessories | Downloads |
|-------------|----------------|-------------|-----------|
|-------------|----------------|-------------|-----------|



Features

- › Housing G1
- › 3-stage function
- › Straight connection cable with plug connector, 5 m

Switching element

2220 2 NO/NC ↻

3-stage function

Enabling function is active only in the second stage (middle position, actuating point). If the pushbutton is released or pushed further (panic function), the enabling is removed (dependent on the wiring, see function sequence).

Approvals



Mechanical values and environment

| | |
|--------------------------------------|--|
| Material | Plastic |
| Weight | |
| | Net 1,5 kg |
| Ambient temperature | -5 ... 50 °C |
| Degree of protection | IP67 |
| Mechanical life | |
| | Position 1-2-1 0,1 x 10 ⁶ |
| | Position 1-2-3-1 0,1 x 10 ⁶ |
| Switching principle | Slow-action contact element |
| Number of positively driven contacts | 2 |
| Number of NO contacts | 2 |
| Connection | Plug connector number of pins 17 |
| Cable length | |
| | straight 5 m |

Electrical connection ratings

| | |
|---|--|
| Rated conditional short-circuit current | 100 A |
| Utilization category according to EN 60947-5-1 | |
| | AC-15 2A 24V |
| | DC-13 2A 24V |
| Short circuit protection according to IEC 60269-1 | 2A gG [1] |
| Rated insulation voltage U _i | 32 V |
| Rated impulse withstand voltage U _{imp} | 0,8 kV |
| Switching voltage | |
| | Min. at 10mA 12 V |
| Switching current | |
| | Min. at 24V 1 mA |
| Degree of contamination (external, according to EN 60947-1) | 3 |
| Connecting cable | 8x0.5mm ² + 8x0.14mm ² [2] |
| Switching characteristics | 3-stage enabling switch |

Miscellaneous

| | |
|--------------------|-----------|
| in compliance with | 60947-5-8 |
|--------------------|-----------|

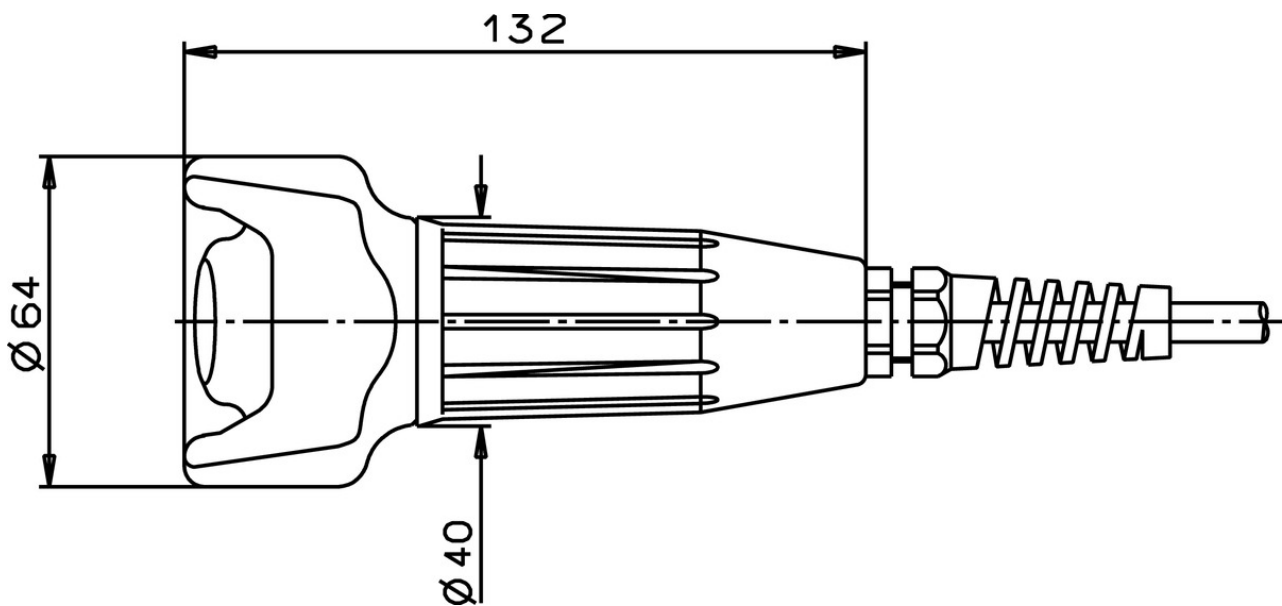
Reliability values acc. to EN ISO 13849-1

| | |
|--|-----------------|
| | Enabling switch |
|--|-----------------|

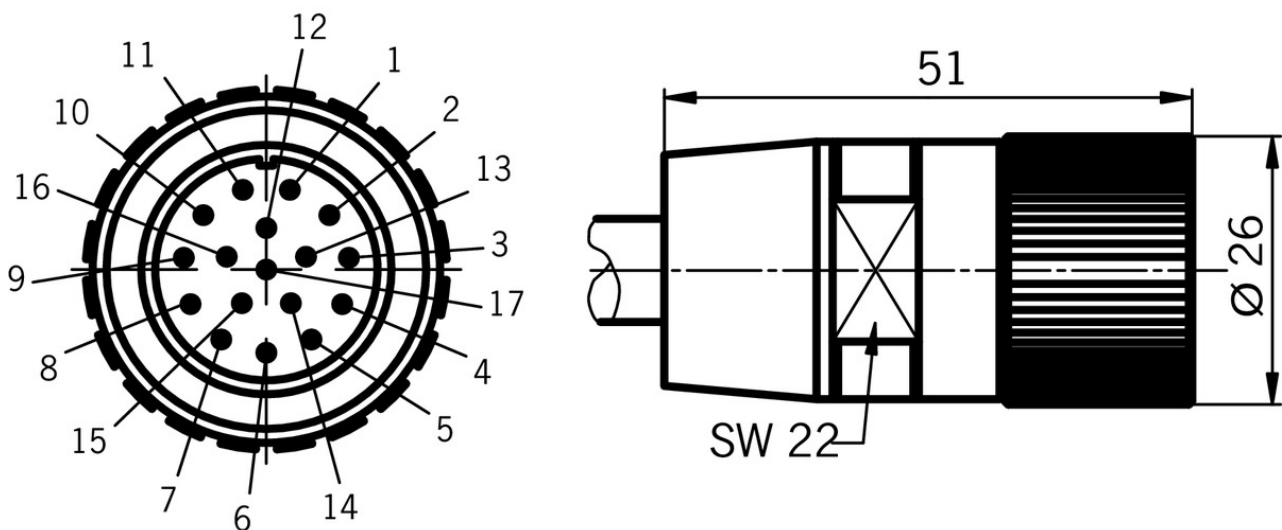
[1] In case of operating voltages other than 24 V, the short circuit protection must be dimensioned accordingly and checked.

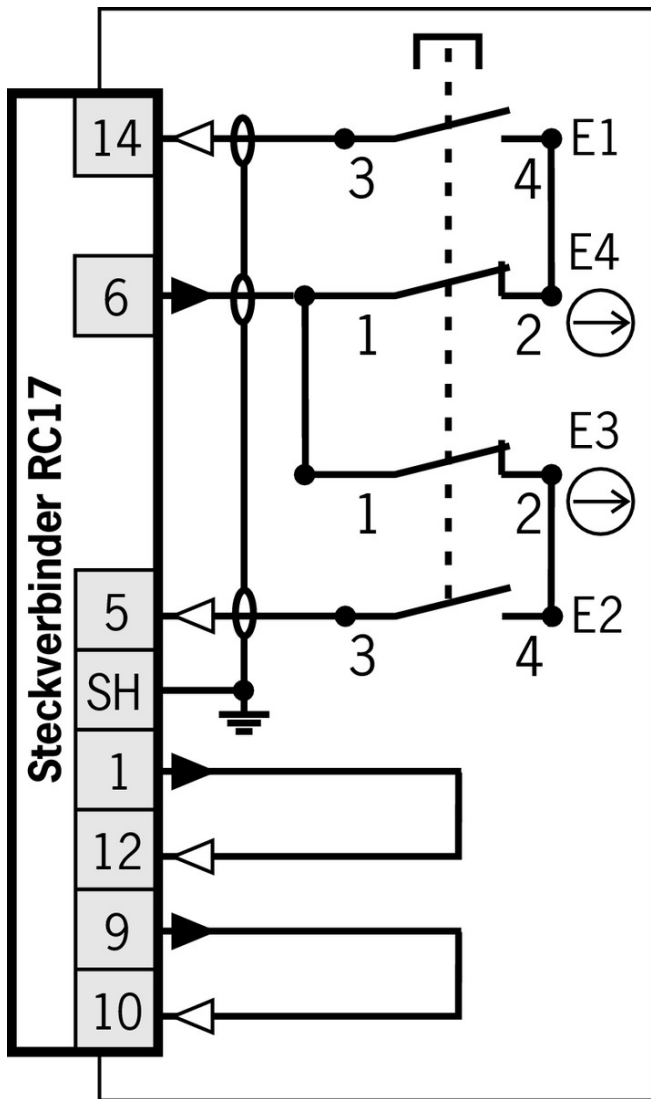
[2] 4x0.5mm² screened + 4x0.5mm² unscreened + 8x0.14mm² unscreened. Outer screen over everything.

Dimension drawing

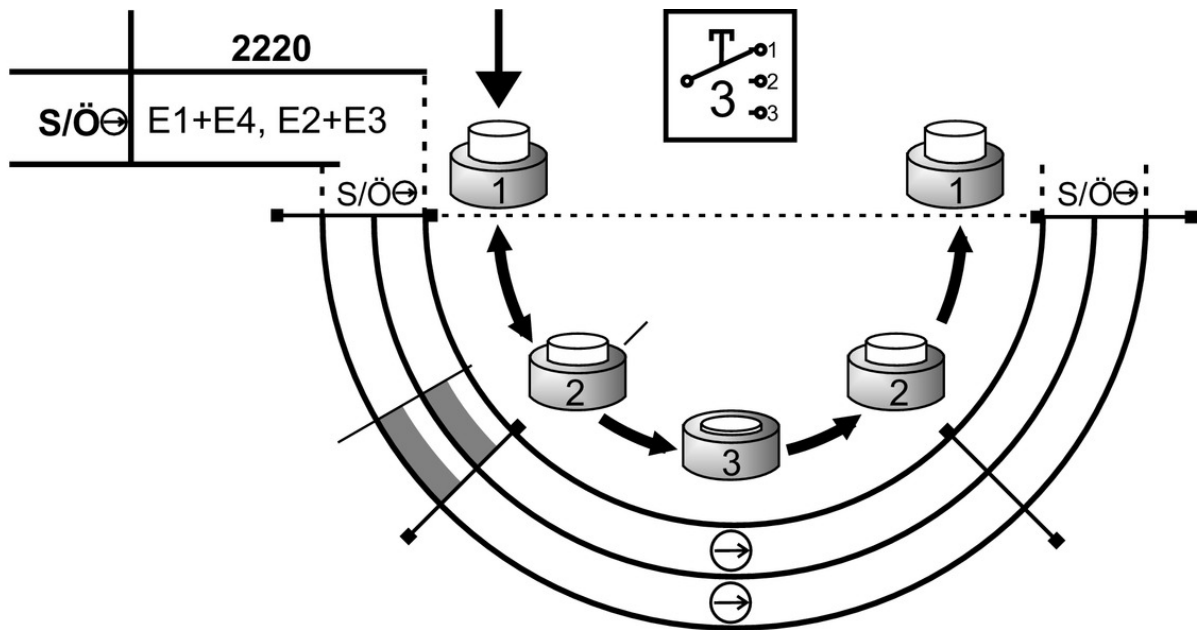


Dimension drawing





Travel diagram



Legende

- open
- closed
- closed, enabling

Mounting accessories

- Screw holder with cable hook for hand-held enabling switches

047820 LEITUNGSHALTER

- Features

Screw holder for housing G1 with cable hook

- Magnetic holder for hand-held enabling switches



059340 MAGNETHALTERUNG ZUSTIMMTASTER

- Features

Magnetic holder for housing G1

- Screw holder for hand-held enabling switches

052406 HALTER KPL.

- Features

Screw holder for housing G1





Instructions

▼ Betriebsanleitung Zustimmungstaster ZSA/ZSR

| | Doc. no. | Version | Language | Download |
|--|----------|----------|---|--|
| Betriebsanleitung Zustimmungstaster ZSA/ZSR | 092781 | 06-11/13 |  |  0.6 MB |
| Operating Instructions Enabling Switch ZSA/ZSR | | |  | |
| Mode d'emploi de la commande d'assentiment ZSA/ZSR | | |  | |
| Istruzioni di impiego del pulsante di consenso ZSA/ZSR | | |  | |







Catalogs

▼ Enabling switches ZS Commandes d'Assentiment ZS Zustimmungstaster ZS

| | Doc. no. | Version | Language | Download |
|----------------------------|----------|----------|---|--|
| Zustimmungstaster ZS | 095689 | 08-07/18 |  |  9.1 MB |
| Commandes d'Assentiment ZS | 097367 | 08-07/18 |  |  4.9 MB |
| Enabling switches ZS | 095690 | 08-07/18 |  |  4.9 MB |

Declaration of conformity

▼ EU-Konformitätserklärung

| | Doc. no. | Version | Language | Download |
|-------------------------------|----------|----------|---|--|
| EU-Konformitätserklärung | 2109392 | 04-11/16 |  |  0.2 MB |
| EU declaration of conformity | | |  | |
| Declaración UE de conformidad | | |  | |
| Déclaration UE de conformité | | |  | |
| Dichiarazione di conformità | | |  | |

CAD data

CAD data for this item on TraceParts