

ITEM 121298 MSC-CE-AZ-FO4-121298

| Description | Technical data | Accessories | Downloads |
|-------------|----------------|-------------|-----------|
|-------------|----------------|-------------|-----------|



Features

- › Output expansion
- › 4 safe relay outputs
- › Compact housing with width of only 22.5mm
- › Straightforward diagnostics via LED displays
- › Plug-in screw terminals

Approvals



Mechanical values and environment

| | |
|---------------------|------------------------|
| Dimensions | 108 x 22.5 x 114.5 [1] |
| Material | |
| | Housing Polyamide |
| Ambient temperature | -10 ... +55 °C |

| | |
|----------------------|---|
| Atmospheric humidity | 10 ... 95 % rH |
| Degree of protection | IP20 |
| Mechanical life | 40 x 10 ⁶ |
| Mounting method | Mounting rail 35mm [2] |
| Reaction time | 12 ms |
| Connection | Plug-in screw terminal [3] |
| Cable length | max.100 m [4] |
| | External relay monitoring (EDM), automatic, manual operation |
| Number of inputs | 4 |
| | For node selection |
| Number of inputs | 2 |

Electrical connection ratings

| | | |
|--|-------|---|
| Operating voltage DC | UB | 24 V DC -20% ... +20% PELV [5] |
| Rated voltage | | 250 V |
| Overtoltage category according to IEC EN 60664-1 | | II |
| Degree of contamination according to EN 60664-1 | | 2 |
| Connection cross-section | | 0,5 ... 2,5 mm ² |
| Delay time | | 0,0106 ... 0,0546 s [6] |
| Power consumption | | max.3 W |
| | | External relay monitoring (EDM), automatic, manual operation |
| Type of input | | Semiconductor inputs, p-switching [7] |
| | | For node selection |
| Type of input | | Semiconductor inputs, p-switching [8] |
| | | Safety contacts NO1...NO4 |
| Safety contacts | | 4 |
| Type of output | | Relay contacts, floating |
| Switching voltage | AC | 10 ... 240 V |
| | DC | 10 ... 240 V |
| Switching current | | 20 ... 6000 mA |
| Utilization category according to EN 60947-5-1 | AC-15 | 240V; 3A |
| | DC-13 | 24V; 1A |

Reliability values acc. to EN ISO 13849-1

| | |
|-------------------|--------------------------|
| Performance Level | PL e [9] |
| Category | 4 [10] |
| PFH _D | 2.90E-09 1/h [11] |
| SIL CL | 3 [12] |
| Mission time | 20 y [13] |

[1] Including screw terminals

[2] Acc. to EN 60715

[3] Terminals not included

[4] With length above 50m use cross-section $>1\text{mm}^2$.

[5] Acc. to EN 60204-1

[6] Depending on the number of slave modules, operators and OSSD outputs. (See operating instructions and calculated values in the software "Euchner Safety Designer")

[7] Acc. to EN 61131-2

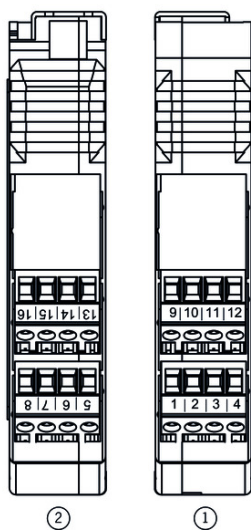
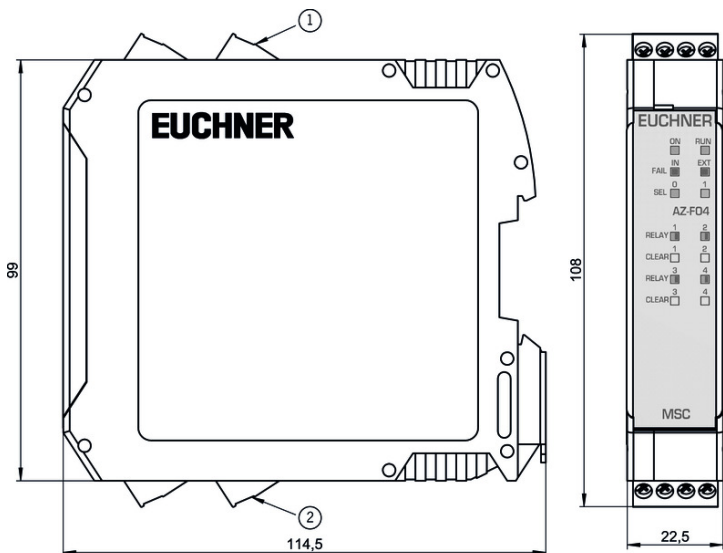
[8] "Typ2" acc. to EN 61131-2

[9, 10, 13] Acc. to ISO 13849-1:2006/IEC 62061:2005

[11] Acc. to IEC 61508:2010

[12] Acc. to IEC 62061:2005

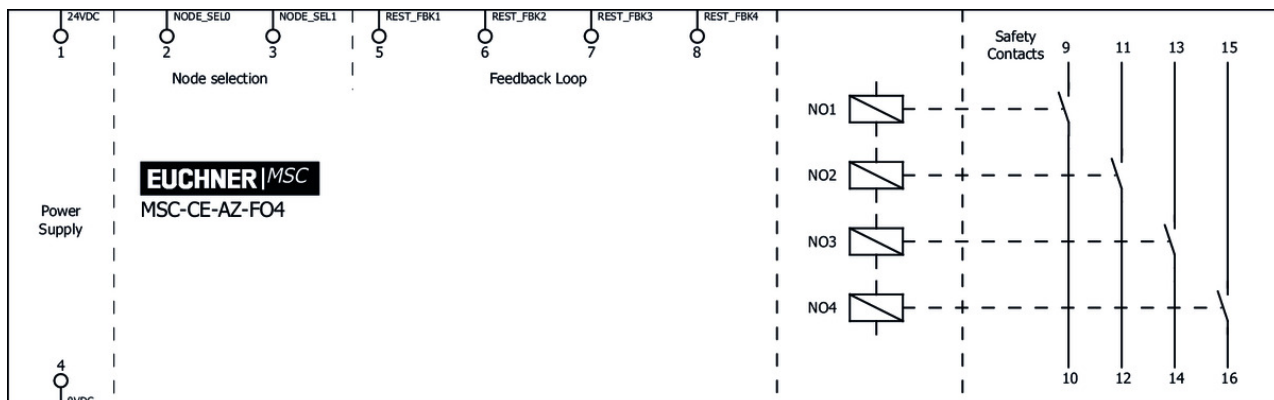
Dimension drawing



Legende

- 1 Page A
- 2 Page B

Block diagram



Connection material

Terminal set 4 contacts, screw terminals



121320 AC-SC-04-V04-121320

Features

- › Plug-in screw terminals

Expansion connector, MSC



121308 AC-PL-B-121308

Instructions

MODULARE SICHERHEITSSTEUERUNG MSC Installation und Verwendung

| | Doc. no. | Version | Language | Download |
|---|----------|----------|----------|----------|
| MODULARE SICHERHEITSSTEUERUNG MSC Installation und Verwendung | 121331 | 03-05/16 | | 5.9 MB |
| AUTOMATE INTÉGRÉ DE SÉCURITÉ MODULAIRE MSC Installation et utilisation | 121331 | 03-05/16 | | 6.2 MB |
| MODULAR SAFETY INTEGRATED CONTROLLER MSC Instalación y uso | 121331 | 03-05/16 | | 6.2 MB |
| MODULAR SAFETY INTEGRATED CONTROLLER MSC Installation and use | 121331 | 03-05/16 | | 6.2 MB |
| SISTEMA DI CONTROLLO MODULARE DI SICUREZZA MSC Installazione e uso | 121331 | 03-05/16 | | 6.1 MB |

MSC AZ-FO4/AZ-FO408 ERWEITERUNGSMODUL MIT RELAISAUSSGANG

| | Doc. no. | Version | Language | Download |
|---|----------|----------|----------|----------|
| MSC AZ-FO4/AZ-FO408 ERWEITERUNGSMODUL MIT RELAISAUSSGANG MSC AZ-FO4/AZ-FO408 RELAY OUTPUT EXPANSION UNIT | 121340 | 02-10/14 | | 1.6 MB |

TECHNISCHES DATENBLATT Erweiterungsmodule

| | Doc. no. | Version | Language | Download |
|--|----------|----------|------------------|----------|
| TECHNISCHES DATENBLATT Erweiterungsmodule DOCUMENTO TÉCNICO módulos de expansión FICHE TECHNIQUE modules d'extension FOGLIO TECNICO moduli di espansione TECHNICAL SHEET expansion units | 121345 | 02-02/16 | | 1.1 MB |

Catalogs

Einfach programmierbar - Die sichere Kleinststeuerung MSC Easily programmable - The small safe

control system MSC Simplement programmable - L'automate de sécurité MSC Fácil de programar - El controlador seguro de tamaño reducido MSC 易于编程 - MSC小型安全控制系统

| | Doc. no. | Version | Language | Download |
|---|-----------------|----------------|---|--|
| Einfach programmierbar - Die sichere Kleinsteuerung MSC | 121780 | 05-05/16 |  |  2.2 MB |
| Simplement programmable - L'automate de sécurité MSC | 122111 | 05-05/16 |  |  2.2 MB |
| Fácil de programar - El controlador seguro de tamaño reducido MSC | 122112 | 05-05/16 |  |  2.2 MB |
| Easily programmable - The small safe control system MSC | 121888 | 05-05/16 |  |  2.2 MB |
| 易于编程 - MSC小型安全控制系统 | 157058 | 05-05/16 |  |  2.7 MB |