

ITEM 121299 MSC-CE-AZ-FO408-121299

Description	Technical data	Accessories	Downloads
-------------	----------------	-------------	-----------



Features

- › Output expansion
- › 4 control inputs
- › 4 safe relay outputs
- › 8 door monitoring outputs
- › Compact housing with width of only 22.5mm
- › Straightforward diagnostics via LED displays
- › Plug-in screw terminals

Approvals



Mechanical values and environment

Dimensions	108 x 22.5 x 114.5 [1]
Material	

	Housing	Polyamide
Ambient temperature		-10 ... +55 °C
Atmospheric humidity		10 ... 95 % rH
Degree of protection		IP20
Mechanical life		40 x 10 ⁶
Mounting method		Mounting rail 35mm [2]
Reaction time		12 ms
Connection		Plug-in screw terminal [3]
Cable length		max.100 m [4]
		External relay monitoring (EDM), automatic, manual operation
Number of inputs		4
		For node selection
Number of inputs		2
		Status (can be programmed via software)
Number of monitoring outputs		8

Electrical connection ratings

Operating voltage DC	UB	24 V DC -20% ... +20% PELV [5]
Rated voltage		250 V
Overvoltage category according to IEC EN 60664-1		II
Degree of contamination according to EN 60664-1		2
Connection cross-section		0,5 ... 2,5 mm ²
Delay time		0,0106 ... 0,0546 s [6]
Power consumption		max.3 W
		Safety contacts NO1...NO4
Safety contacts		4
Type of output		Relay contacts, floating
Switching voltage	AC	10 ... 240 V
	DC	10 ... 240 V
Switching current		20 ... 6000 mA
Utilization category according to EN 60947-5-1	AC-15	240V; 3A
	DC-13	24V; 1A
		External relay monitoring (EDM), automatic, manual operation
Type of input		Semiconductor inputs, p-switching [7]
		For node selection
Type of input		Semiconductor inputs, p-switching [8]

	Status (can be programmed via software)
Type of output	Semiconductor outputs, p-switching
Output current	max.100 mA

Reliability values acc. to EN ISO 13849-1

Performance Level	PL e [9]
Category	4 [10]
PFH _D	2.94E-09 1/h [11]
SIL CL	3 [12]
Mission time	20 y [13]

[1] Including screw terminals

[2] Acc. to EN 60715

[3] Terminals not included

[4] With length above 50m use cross-section >1mm².

[5] Acc. to EN 60204-1

[6] Depending on the number of slave modules, operators and OSSD outputs. (See operating instructions and calculated values in the software "Euchner Safety Designer")

[7] Acc. to EN 61131-2

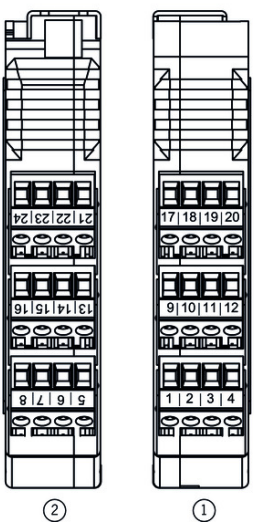
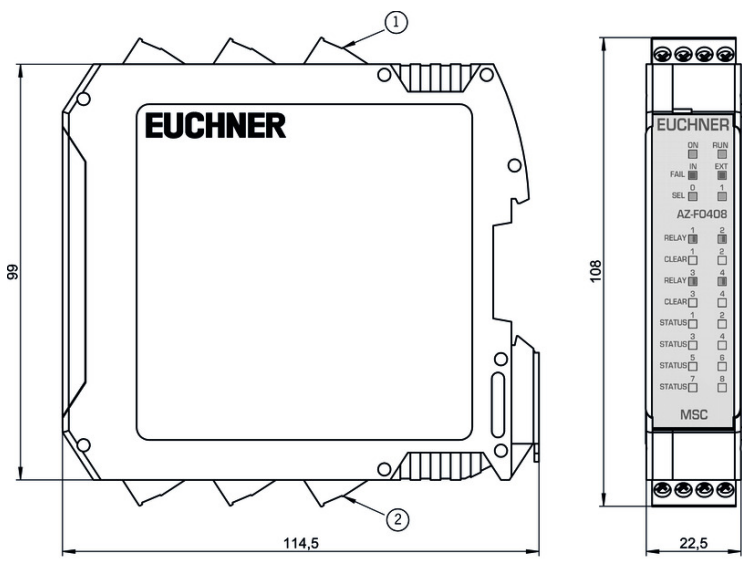
[8] "Typ2" acc. to EN 61131-2

[9, 10, 13] Acc. to ISO 13849-1:2006/IEC 62061:2005

[11] Acc. to IEC 61508:2010

[12] Acc. to IEC 62061:2005

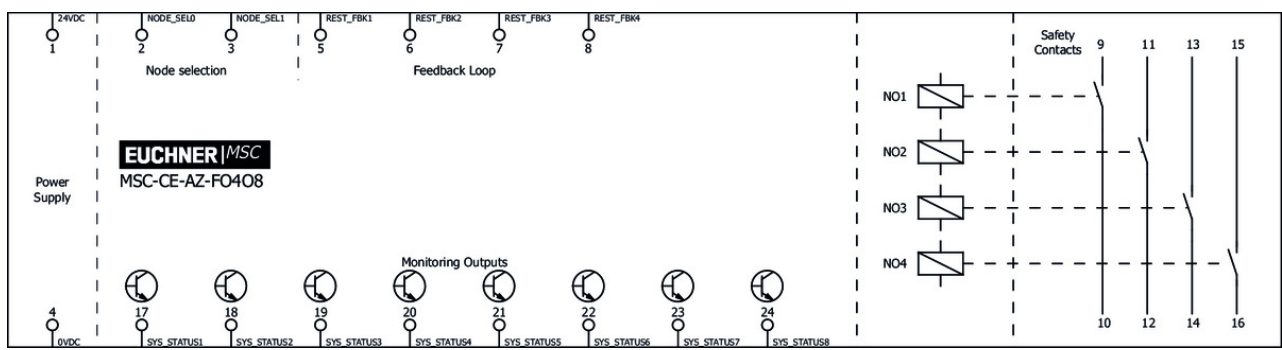
Dimension drawing



Legende

- 1 Page A
- 2 Page B

Wiring diagram



Connection material

- Terminal set 6 contacts, screw terminals



121321 AC-SC-04-V06-121321

- Features
 - Plug-in screw terminals

- Expansion connector, MSC



121308 AC-PL-B-121308

Instructions

- MODULARE SICHERHEITSSTEUERUNG MSC Installation und Verwendung

	Doc. no.	Version	Language	Download
MODULARE SICHERHEITSSTEUERUNG MSC Installation und Verwendung	121331	03-05/16		5.9 MB
AUTOMATE INTÉGRÉ DE SÉCURITÉ MODULAIRE MSC Installation et utilisation	121331	03-05/16		6.2 MB
MODULAR SAFETY INTEGRATED CONTROLLER MSC Instalación y uso	121331	03-05/16		6.2 MB
MODULAR SAFETY INTEGRATED CONTROLLER MSC Installation and use	121331	03-05/16		6.2 MB
SISTEMA DI CONTROLLO MODULARE DI SICUREZZA MSC Installazione e uso	121331	03-05/16		6.1 MB

- MSC AZ-FO4/AZ-FO408 ERWEITERUNGSMODUL MIT RELAISAUSGANG

	Doc. no.	Version	Language	Download
MSC AZ-FO4/AZ-FO408 ERWEITERUNGSMODUL MIT RELAISAUSGANG MSC AZ-FO4/AZ-FO408 RELAY OUTPUT EXPANSION UNIT	121340	02-10/14	 	1.6 MB

- TECHNISCHES DATENBLATT Erweiterungsmodule

	Doc. no.	Version	Language	Download
TECHNISCHES DATENBLATT Erweiterungsmodule DOCUMENTO TÉCNICO módulos de expansión FICHE TECHNIQUE modules d'extension FOGLIO TECNICO moduli di espansione TECHNICAL SHEET expansion units	121345	02-02/16	 	1.1 MB

Catalogs

- Einfach programmierbar - Die sichere Kleinststeuerung MSC Easily programmable - The small safe control system MSC Simplement programmable - L'automate de sécurité MSC Fácil de

programar - El controlador seguro de tamaño reducido MSC 易于 编程 - MSC小型安全控制系统

	Doc. no.	Version	Language	Download
Einfach programmierbar - Die sichere Kleinststeuerung MSC	121780	05-05/16		 2.2 MB
Simplement programmable - L'automate de sécurité MSC	122111	05-05/16		 2.2 MB
Fácil de programar - El controlador seguro de tamaño reducido MSC	122112	05-05/16		 2.2 MB
Easily programmable - The small safe control system MSC	121888	05-05/16		 2.2 MB
易于 编程 - MSC小型安全控制系统	157058	05-05/16		 2.7 MB