

ITEM 105018 ES-FB1W-XW1E-LV412Q4MFR-YO

Description	Technical data	Accessories	Downloads
-------------	----------------	-------------	-----------



Features

- › Button head red 40 mm ø
- › Contact block monitoring
- › Reset by pulling or turning
- › Housing
- › With lighting

Switching element

- › 2 NC \ominus + 1 NO

Approvals



Mechanical values and environment

Material	Button Housing	Fiber glass reinforced thermoplastic Polycarbonate
Ambient temperature		-25 ... 55 °C
Degree of protection		IP65
Mechanical life		0,25 x 10 ⁶
Contact material		Silver alloy, gold flashed
Number of positively driven contacts		2
Number of NO contacts		1
Connection		Screw terminal

Electrical connection ratings

Operating current		15 mA
Operating voltage	AC/DC	-10% ... 24 V +10% V
Rated thermal current I _{th}		1 A
Utilization category according to EN 60947-5-1	AC-15 DC-13 AC-14	1.5 A 250 V 1A 30V 0.3 A 250 V
Rated insulation voltage U _i		250 V
Switching current	Min. at 24V	10 mA

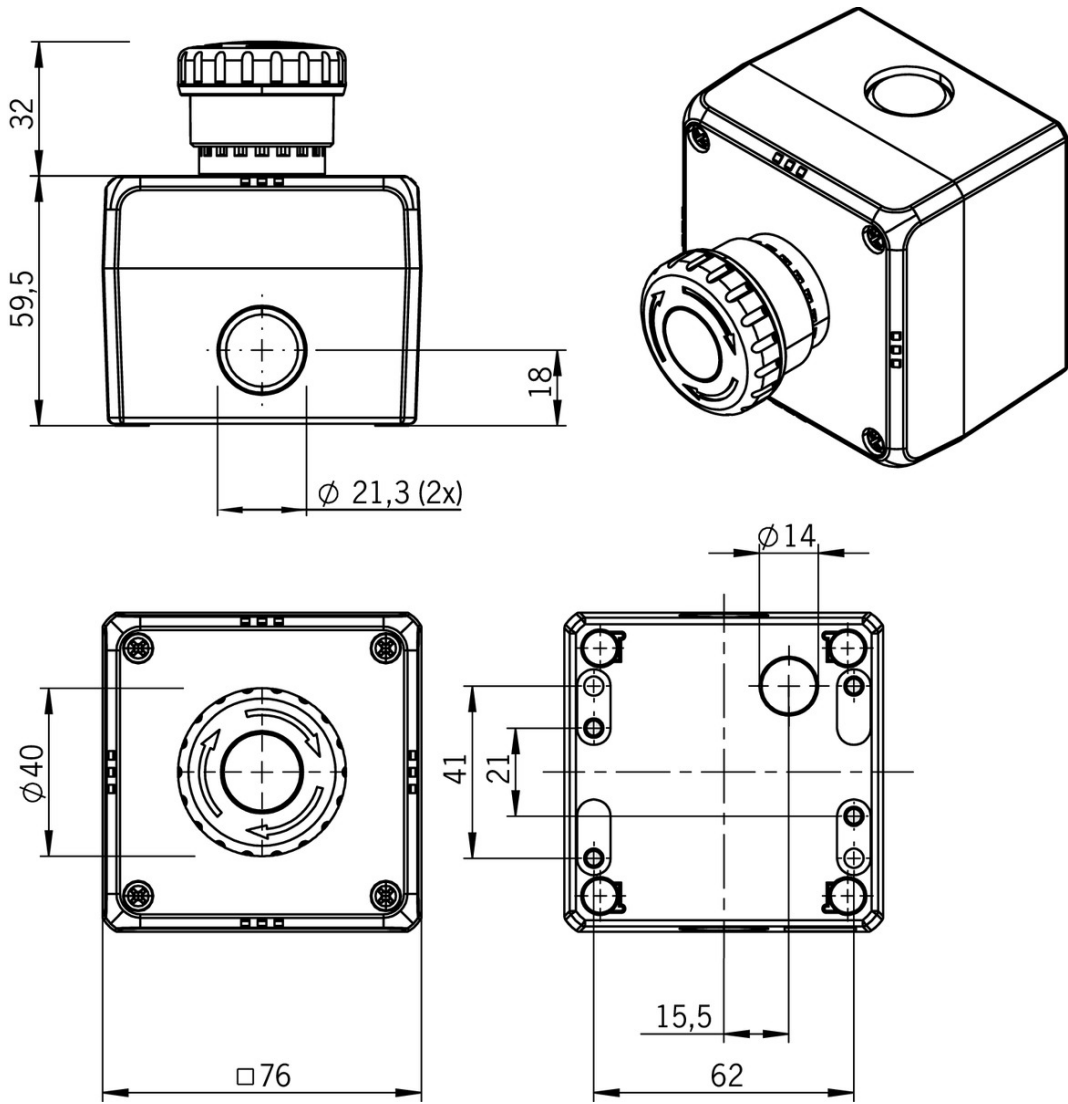
Miscellaneous

Additional feature		Button head Ø 40 mm Reset by pulling or turning Contact block monitoring Device with housing
Color	Actuating button Bottom part	Red transparent Yellow
Lighting		Yes

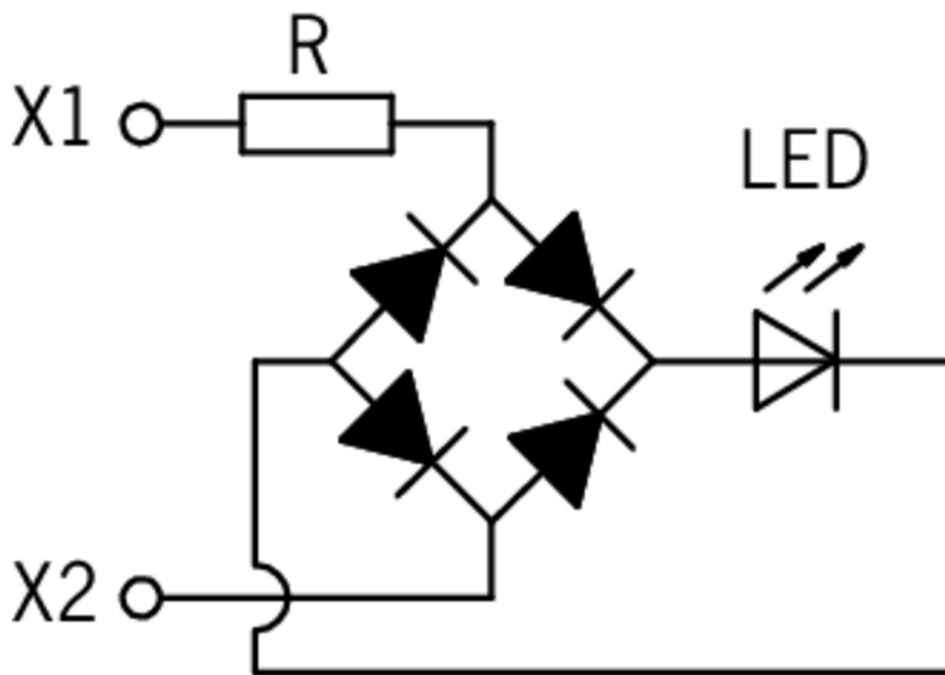
Reliability values acc. to EN ISO 13849-1

B10 _D		0,1 x 10 ⁶
------------------	--	-----------------------

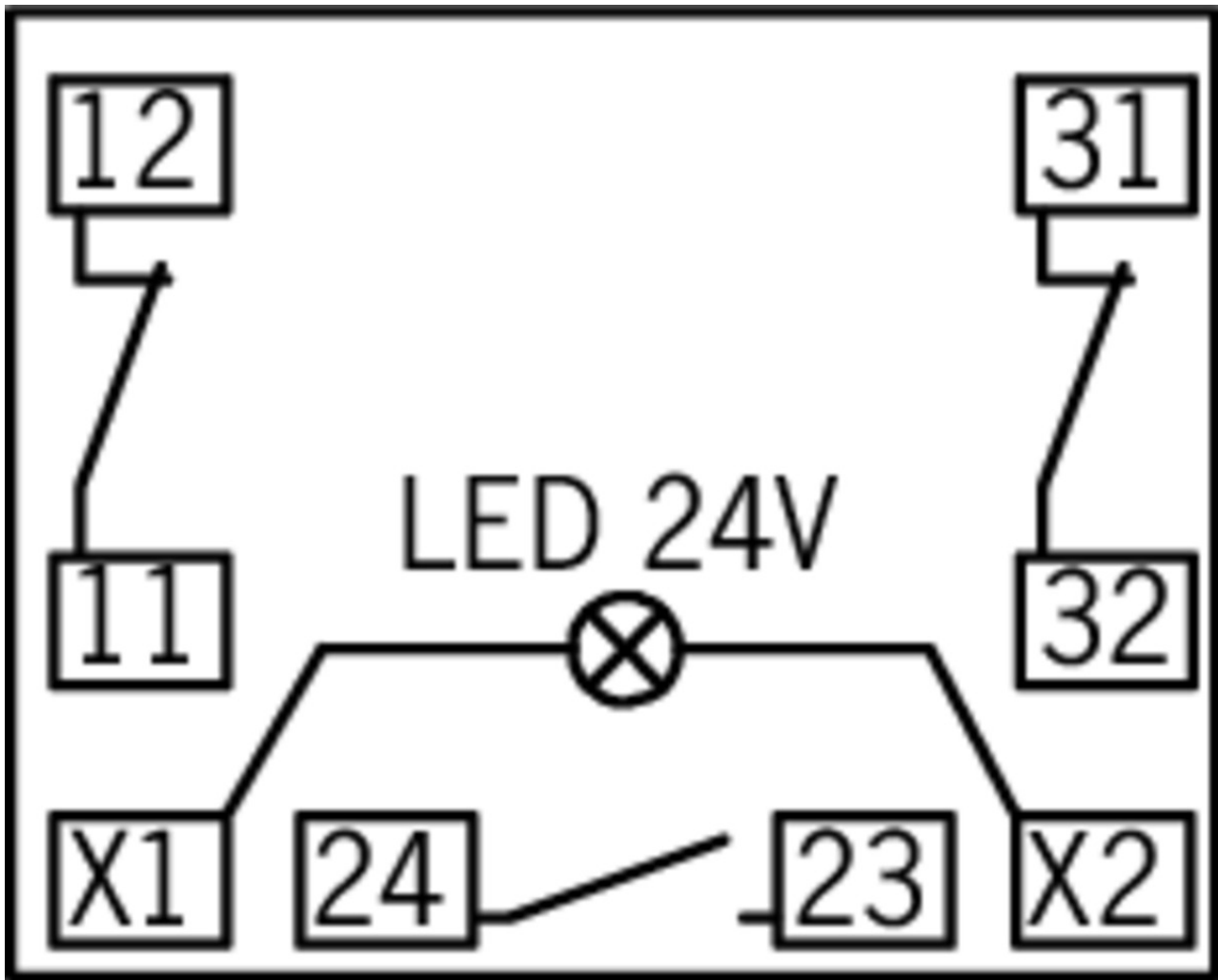
Dimension drawing



LED wiring diagram



Switching functions



Mounting accessories

- ✓ Sign for emergency stop ES-XW



106340 ES-HWAV-27

- ✓ Features



- › Emergency stop label for 40 mm buttons on ES-XW devices with text "Emergency Stop"

Instructions

- ✓ Betriebsanleitung Not-Aus-Schalter ES-XW/XN









	Doc. no.	Version	Language	Download
Betriebsanleitung Not-Aus-Schalter ES-XW/XN Operating Instructions Emergency Stop Switch ES-XW/XN	2105026	11-06/17		1.3 MB

Operating instructions for emergency stop switch ES-FB1W-XW

	Doc. no.	Version	Language	Download
Operating instructions for emergency stop switch ES-FB1W-XW	105185	02-04/09		 0.4 MB







Catalogs

Not-Halt-Geräte/Seilzugschalter Emergency Stop Devices/Rope Pull Switches Dispositifs d'arrêt d'urgence/interrupteurs à câble Dispositivos de parada de emergencia / Interruptores de accionamiento por cable

	Doc. no.	Version	Language	Download
Not-Halt-Geräte/Seilzugschalter	106210	06-06/16		 1.9 MB
Dispositifs d'arrêt d'urgence/interrupteurs à câble	116529	06-06/16		 1.9 MB
Dispositivos de parada de emergencia / Interruptores de accionamiento por cable	116530	06-06/16		 1.9 MB
Emergency Stop Devices/Rope Pull Switches	116448	06-06/16		 1.9 MB

Declaration of conformity

EU-Konformitätserklärung

	Doc. no.	Version	Language	Download
EU-Konformitätserklärung Declaración UE de conformidad Déclaration UE de conformité Dichiarazione di conformità EU declaration of conformity	2105755	08-03/17	    	 0.2 MB