

## ITEM 094083 RPS3131SC100BHA10LL024

Description	Technical data	Accessories	Downloads
-------------	----------------	-------------	-----------



### Features

- › Plastic housing
- › Emergency stop device with detent mechanism according to EN ISO 13850 and EN 60204-1
- › Clamping head for pull rope
- › Indication of correct rope tension
- › Plug connector MR10
- › LED left
- › Switching elements with 4 switching contacts
- › Emergency stop

### Switching element

**3131** Slow-action switching contact 2 NC  $\ominus$  + 2 NO

### Approvals

## Mechanical values and environment

Housing material	Reinforced thermoplastic
Weight	
	Net 0,8 kg
Ambient temperature	-20 ... 50 °C
Degree of protection	IP65
Mechanical life	0,1 x 10 <sup>6</sup>
Switching principle	Slow-action switching contact
Rope diameter	2 ... 5 mm
Installation position	Any
Number of positively driven contacts	2
Number of NO contacts	2
Connection	Plug connector MR10 [1]
Actuating force	100 N

## Electrical connection ratings

Rated thermal current $I_{th}$	4 A
Utilization category according to EN 60947-5-1	
	AC-15 3A 240V
Short circuit protection according to IEC 60269-1	
	(Fuse) 6A gG
Rated insulation voltage $U_i$	50 V
Rated impulse withstand voltage $U_{imp}$	2,5 kV
Switching current	
	at 24V min.10 mA
LED indicator	
	DC 24 V [2]

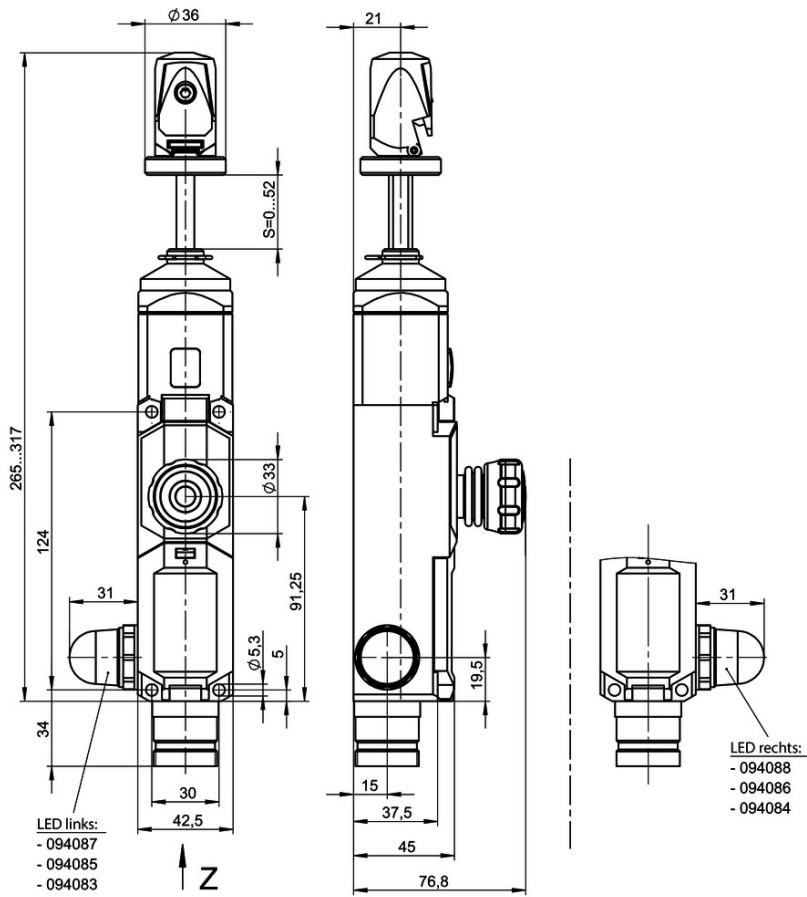
## Miscellaneous

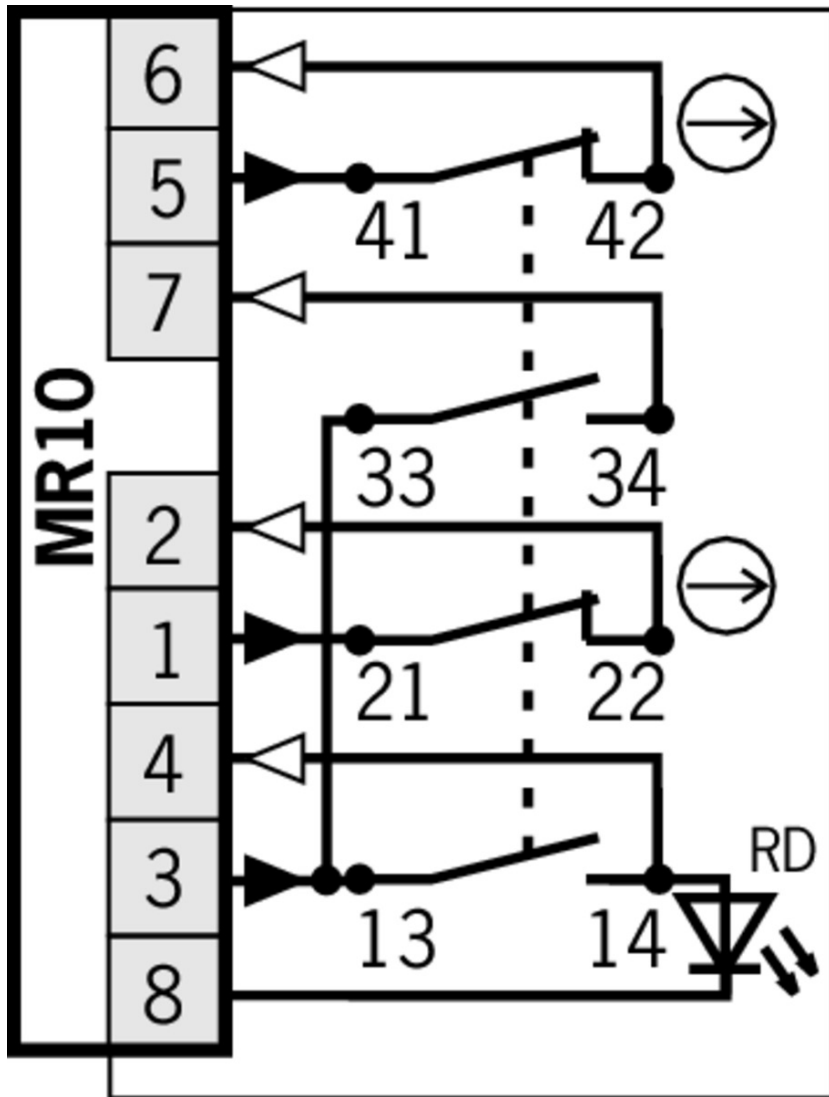
Additional feature	Emergency stop function
--------------------	-------------------------

[1] 10-pin (without PE) - bottom

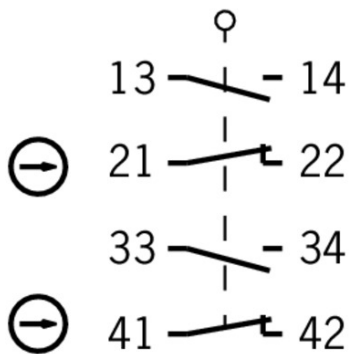
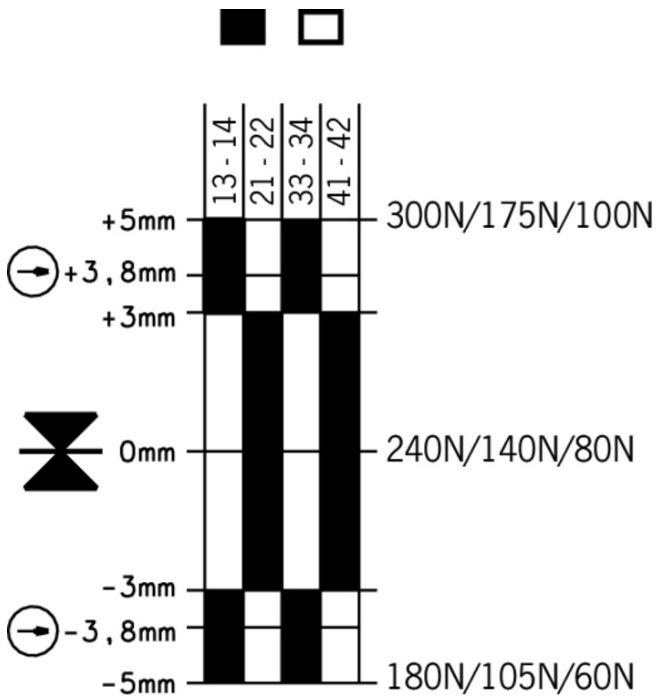
[2] Left switches red LED

# Dimension drawing





## Travel diagram



## Mounting accessories

### ▣ Eyebolt for rope pull switches

**092495** RPS-O-8-50/V5

#### ▣ Features

- Eyebolt with thread M8

### ▣ Rope set for rope pull switches

**092496** RPS-RS/V5

#### ▣ Features

- Rope set consisting of thimble and rope clamp

### ▣ Pulley set RPS-PS/V5 for rope pull switches



**092501** RPS-PS/V5

#### ▣ Features

- › Pulley set consisting of rope pulley block and pulley support
- 

▼ Pulley set RPS-P/V1 for rope pull switches



**096251** RPS-P-7-70

▼ Features

- › Pulley Ø 14mm
- 

▼ Turnbuckle for rope pull switches

**092498** RPS-B-6-60/V5

▼ Features

- › Turnbuckle M6 x 60
- 

**092500** RPS-B-6-110

▼ Features

- › Turnbuckle M6 x 100
- 

▼ Tensioner spring for rope pull switches



**092136** RPS-W-100/175

▼ Features

- › Tensioner spring for tensile force 110 N / 175 N
- 

▼ Tensioning rope for rope pull switches



**092813** RPS-I-3-4/50M

▼ Features

- › Tensioning rope with 50m length
- 



**092814** RPS-I-3-4/100M

▼ Features

- › Tensioning rope with 100m length
- 

## Function expansion

---

▼ Built-in LED



**087423** EINBAULEUCHTE LED M20X1,5



**095510** EINBAULEUCHTE LED-F M20X1,5

---

## Connection material

- 
- ✓ Connection cable with plug connector MR10, 10-pin, 1.8m



**102516** C-MINF10-10X1,0PU01,8-MA-102516

✓ Features

- › MR10 female plug, 10-pin
  - › Straight plug connector
  - › PUR cable
  - › Cable length 1.8 m
  - › With flying lead
- 

- ✓ Connection cables with plug connector MR10, 10-pin, 1.8m



**100949** C-MINF10-10X1,0PV01,8-MA-100949

✓ Features

- › MR10 female plug, 10-pin
  - › Straight plug connector
  - › PVC cable
  - › Cable length 1.8 m
  - › With flying lead
- 

- ✓ Connection cable with plug connector MR10, 10-pin, 6m



**100951** C-MINF10-10X1,0PV06,0-MA-100951

✓ Features

- › MR10 female plug, 10-pin
  - › Straight plug connector
  - › PVC cable
  - › Cable length 6 m
  - › With flying lead
- 



**102518** C-MINF10-10X1,0PU06,0-MA-102518

✓ Features

- › MR10 female plug, 10-pin
  - › Straight plug connector
  - › PUR cable
  - › Cable length 6 m
  - › With flying lead
- 

- ✓ Connection cable with plug connector MR10, 10-pin, 9.1m



**100952** C-MINF10-10X1,0PV09,1-MA-100952

✓ Features

- › MR10 female plug, 10-pin
  - › Straight plug connector
  - › PVC cable
  - › Cable length 9.1 m
  - › With flying lead
- 



**100956** C-MINF10-10X1,0PU09,1-MA-100956

✓ Features

- › MR10 female plug, 10-pin
- › Straight plug connector

- › PUR cable
  - › Cable length 9.1 m
  - › With flying lead
- 

▼ Connection cable with plug connector MR10, 10-pin, 12.1m



**102505** C-MINF10-10X1,0PV12,1-MA-102505

▼ Features

- › MR10 female plug, 10-pin
  - › Straight plug connector
  - › PVC cable
  - › Cable length 12.1 m
  - › With flying lead
- 



**102519** C-MINF10-10X1,0PU12,1-MA-102519

▼ Features

- › MR10 female plug, 10-pin
  - › Straight plug connector
  - › PUR cable
  - › Cable length 12.1 m
  - › With flying lead
- 

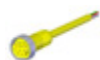
▼ Connection cable with plug connector MR10, 10-pin, 15.2m



**100953** C-MINF10-10X1,0PV15,2-MA-100953

▼ Features

- › MR10 female plug, 10-pin
  - › Straight plug connector
  - › PVC cable
  - › Cable length 15.2 m
  - › With flying lead
- 

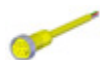


**102520** C-MINF10-10X1,0PU15,2-MA-102520

▼ Features

- › MR10 female plug, 10-pin
  - › Straight plug connector
  - › PUR cable
  - › Cable length 15.2 m
  - › With flying lead
- 

▼ Connection cable with plug connector MR10, 10-pin, 3.6m



**102517** C-MINF10-10X1,0PU03,6-MA-102517

▼ Features

- › MR10 female plug, 10-pin
  - › Straight plug connector
  - › PUR cable
  - › Cable length 3.6 m
  - › With flying lead
- 

▼ Connection cable with plug connector MR10, 10-pin, 18.2m





## 102521 C-MINF10-10X1,0PU18,2-MA-102521

### Features

- › MR10 female plug, 10-pin
- › Straight plug connector
- › PUR cable
- › Cable length 18.2 m
- › With flying lead

## Instructions

### Betriebsanleitung Seilzugschalter RPS...

	Doc. no.	Version	Language	Download
Betriebsanleitung Seilzugschalter RPS...	2090276	08-01/18		2.7 MB
Operating Instructions for Rope Pull Switches RPS...	2090276	08-01/18		2.7 MB

## Catalogs

### Not-Halt-Geräte/Seilzugschalter Emergency Stop Devices/Rope Pull Switches Dispositifs d'arrêt d'urgence/interrupteurs à câble Dispositivos de parada de emergencia / Interruptores de accionamiento por cable

	Doc. no.	Version	Language	Download
Not-Halt-Geräte/Seilzugschalter	106210	06-06/16		1.9 MB
Dispositifs d'arrêt d'urgence/interrupteurs à câble	116529	06-06/16		1.9 MB
Dispositivos de parada de emergencia / Interruptores de accionamiento por cable	116530	06-06/16		1.9 MB
Emergency Stop Devices/Rope Pull Switches	116448	06-06/16		1.9 MB

## Declaration of conformity

### EU-Konformitätserklärung

	Doc. no.	Version	Language	Download
EU-Konformitätserklärung	2091952	03-04/17		0.2 MB
Declaración UE de conformidad				
Déclaration UE de conformité				
Dichiarazione di conformità				
EU declaration of conformity				

## CAD data

CAD data for this item on TraceParts