

ITEM 094086 RPS3131SC175BHA10RL024

Description	Technical data	Accessories	Downloads
-------------	----------------	-------------	-----------



Features

- › Plastic housing
- › Emergency stop device with detent mechanism according to EN ISO 13850 and EN 60204-1
- › Clamping head for pull rope
- › Indication of correct rope tension
- › Plug connector MR10
- › LED right
- › Switching elements with 4 switching contacts
- › Emergency stop

Switching element

3131 Slow-action switching contact 2 NC \ominus + 2 NO

Approvals

Mechanical values and environment

Housing material	Reinforced thermoplastic
Weight	
	Net 0,8 kg
Ambient temperature	-20 ... 50 °C
Degree of protection	IP65
Mechanical life	0,1 x 10 ⁶
Switching principle	Slow-action switching contact
Rope diameter	2 ... 5 mm
Installation position	Any
Number of positively driven contacts	2
Number of NO contacts	2
Connection	Plug connector MR10 [1]
Actuating force	175 N

Electrical connection ratings

Rated thermal current I_{th}	4 A
Utilization category according to EN 60947-5-1	
	AC-15 3A 50V
Short circuit protection according to IEC 60269-1	
	(Fuse) 4A gG
Rated insulation voltage U_i	50 V
Rated impulse withstand voltage U_{imp}	2,5 kV
Switching current	
	at 24V min.10 mA
LED indicator	
	DC 24 V [2]

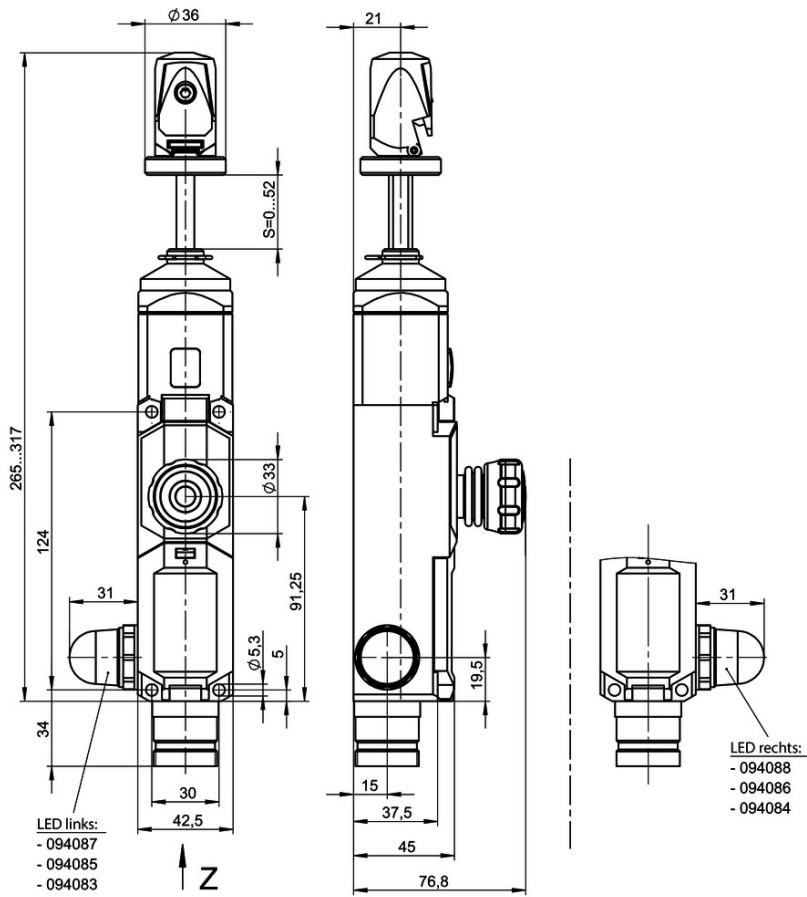
Miscellaneous

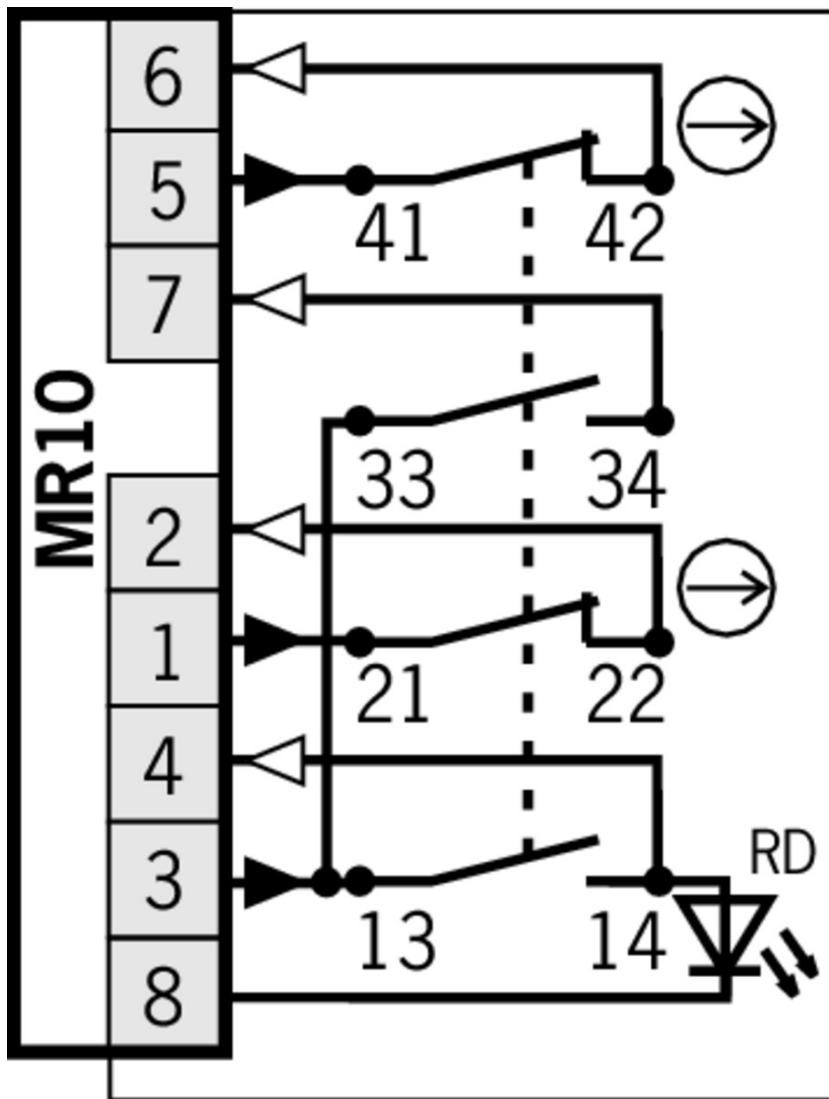
Additional feature	Emergency stop function
--------------------	-------------------------

[1] 10-pin (without PE) - bottom

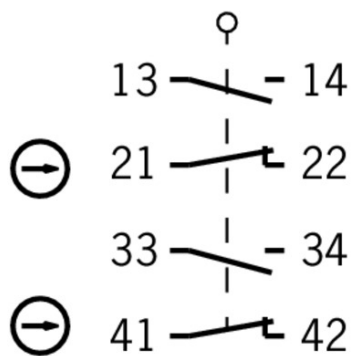
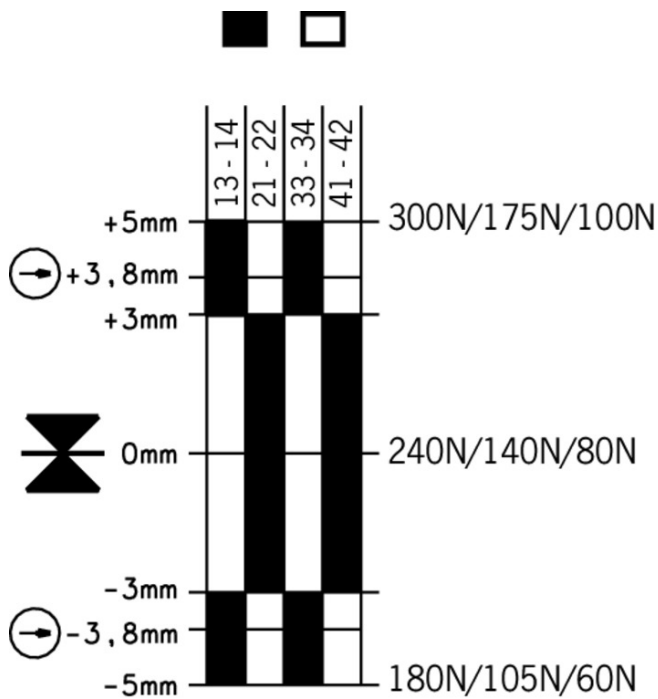
[2] Right switches red LED

Dimension drawing





Travel diagram



Mounting accessories

- ▼ Eyebolt for rope pull switches

092495 RPS-O-8-50/V5

- ▼ Features

› Eyebolt with thread M8

- ▼ Rope set for rope pull switches

092496 RPS-RS/V5

- ▼ Features

› Rope set consisting of thimble and rope clamp

- ▼ Pulley set RPS-PS/V5 for rope pull switches



092501 RPS-PS/V5

- ▼ Features

- › Pulley set consisting of rope pulley block and pulley support
-

▼ Pulley set RPS-P/V1 for rope pull switches



096251 RPS-P-7-70

▼ Features

- › Pulley Ø 14mm
-

▼ Turnbuckle for rope pull switches

092498 RPS-B-6-60/V5

▼ Features

- › Turnbuckle M6 x 60
-

092500 RPS-B-6-110

▼ Features

- › Turnbuckle M6 x 100
-

▼ Tensioner spring for rope pull switches



092136 RPS-W-100/175

▼ Features

- › Tensioner spring for tensile force 110 N / 175 N
-

▼ Tensioning rope for rope pull switches



092813 RPS-I-3-4/50M

▼ Features

- › Tensioning rope with 50m length
-



092814 RPS-I-3-4/100M

▼ Features

- › Tensioning rope with 100m length
-

Function expansion

▼ Built-in LED



087423 EINBAULEUCHTE LED M20X1,5



095510 EINBAULEUCHTE LED-F M20X1,5

Connection material

-
- ✓ Connection cables with plug connector MR10, 10-pin, 1.8m



100949 C-MINF10-10X1,0PV01,8-MA-100949

✓ Features

- › MR10 female plug, 10-pin
 - › Straight plug connector
 - › PVC cable
 - › Cable length 1.8 m
 - › With flying lead
-

- ✓ Connection cable with plug connector M10, 10-pin, 3.6m



100950 C-MINF10-10X1,0PV03,6-MA-100950

✓ Features

- › MR10 female plug, 10-pin
 - › Straight plug connector
 - › PVC cable
 - › Cable length 3.6 m
 - › With flying lead
-

- ✓ Connection cable with plug connector MR10, 10-pin, 6m



100951 C-MINF10-10X1,0PV06,0-MA-100951

✓ Features

- › MR10 female plug, 10-pin
 - › Straight plug connector
 - › PVC cable
 - › Cable length 6 m
 - › With flying lead
-



102518 C-MINF10-10X1,0PU06,0-MA-102518

✓ Features

- › MR10 female plug, 10-pin
 - › Straight plug connector
 - › PUR cable
 - › Cable length 6 m
 - › With flying lead
-

- ✓ Connection cable with plug connector MR10, 10-pin, 9.1m



100952 C-MINF10-10X1,0PV09,1-MA-100952

✓ Features

- › MR10 female plug, 10-pin
 - › Straight plug connector
 - › PVC cable
 - › Cable length 9.1 m
 - › With flying lead
-



100956 C-MINF10-10X1,0PU09,1-MA-100956

✓ Features

- › MR10 female plug, 10-pin
- › Straight plug connector

- › PUR cable
 - › Cable length 9.1 m
 - › With flying lead
-

▼ Connection cable with plug connector MR10, 10-pin, 12.1m



102505 C-MINF10-10X1,0PV12,1-MA-102505

▼ Features

- › MR10 female plug, 10-pin
 - › Straight plug connector
 - › PVC cable
 - › Cable length 12.1 m
 - › With flying lead
-



102519 C-MINF10-10X1,0PU12,1-MA-102519

▼ Features

- › MR10 female plug, 10-pin
 - › Straight plug connector
 - › PUR cable
 - › Cable length 12.1 m
 - › With flying lead
-

▼ Connection cable with plug connector MR10, 10-pin, 15.2m



100953 C-MINF10-10X1,0PV15,2-MA-100953

▼ Features

- › MR10 female plug, 10-pin
 - › Straight plug connector
 - › PVC cable
 - › Cable length 15.2 m
 - › With flying lead
-



102520 C-MINF10-10X1,0PU15,2-MA-102520

▼ Features

- › MR10 female plug, 10-pin
 - › Straight plug connector
 - › PUR cable
 - › Cable length 15.2 m
 - › With flying lead
-

▼ Connection cable with plug connector MR10, 10-pin, 1.8m



102516 C-MINF10-10X1,0PU01,8-MA-102516

▼ Features

- › MR10 female plug, 10-pin
 - › Straight plug connector
 - › PUR cable
 - › Cable length 1.8 m
 - › With flying lead
-

▼ Connection cable with plug connector MR10, 10-pin, 3.6m



102517 C-MINF10-10X1,0PU03,6-MA-102517

Features

- › MR10 female plug, 10-pin
- › Straight plug connector
- › PUR cable
- › Cable length 3.6 m
- › With flying lead

Connection cable with plug connector MR10, 10-pin, 18.2m



102521 C-MINF10-10X1,0PU18,2-MA-102521

Features

- › MR10 female plug, 10-pin
- › Straight plug connector
- › PUR cable
- › Cable length 18.2 m
- › With flying lead

Instructions

Betriebsanleitung Seilzugschalter RPS...

	Doc. no.	Version	Language	Download
Betriebsanleitung Seilzugschalter RPS...	2090276	08-01/18		2.7 MB
Operating Instructions for Rope Pull Switches RPS...	2090276	08-01/18		2.7 MB

Catalogs







Not-Halt-Geräte/Seilzugschalter Emergency Stop Devices/Rope Pull Switches Dispositifs d'arrêt d'urgence/interrupteurs à câble Dispositivos de parada de emergencia / Interruptores de accionamiento por cable

	Doc. no.	Version	Language	Download
Not-Halt-Geräte/Seilzugschalter	106210	06-06/16		1.9 MB
Dispositifs d'arrêt d'urgence/interrupteurs à câble	116529	06-06/16		1.9 MB
Dispositivos de parada de emergencia / Interruptores de accionamiento por cable	116530	06-06/16		1.9 MB
Emergency Stop Devices/Rope Pull Switches	116448	06-06/16		1.9 MB

Declaration of conformity

EU-Konformitätserklärung

Doc. no.	Version	Language	Download
----------	---------	----------	----------

EU-Konformitätserklärung	2091952	03-04/17		 0.2 MB
Declaración UE de conformidad				
Déclaration UE de conformité				
Dichiarazione di conformità				
EU declaration of conformity				

CAD data

CAD data for this item on TraceParts