

ITEM 094432 RPS2131SC300M

| Description | Technical data | Accessories | Downloads |
|-------------|----------------|-------------|-----------|
|-------------|----------------|-------------|-----------|



Features

- › Plastic housing
- › Emergency stop device with detent mechanism according to EN ISO 13850 and EN 60204-1
- › Clamping head for pull rope
- › Indication of correct rope tension
- › 3 cable entries M20 x 1.5
- › Switching elements with 4 switching contacts
- › Emergency stop

Switching element

2131 Slow-action switching contact 3 NC \ominus + 1 NO

Approvals



Mechanical values and environment

| | |
|--------------------------------------|-------------------------------|
| Housing material | Reinforced thermoplastic |
| Weight | |
| Net | 0,8 kg |
| Ambient temperature | -25 ... 70 °C |
| Degree of protection | IP67 |
| Mechanical life | 0,1 x 10 ⁶ |
| Switching principle | Slow-action switching contact |
| Rope diameter | 2 ... 5 mm |
| Installation position | Any |
| Number of positively driven contacts | 3 |
| Number of NO contacts | 1 |
| Connection | |
| 3 x | M20 x 1.5 |
| Actuating force | 300 N |

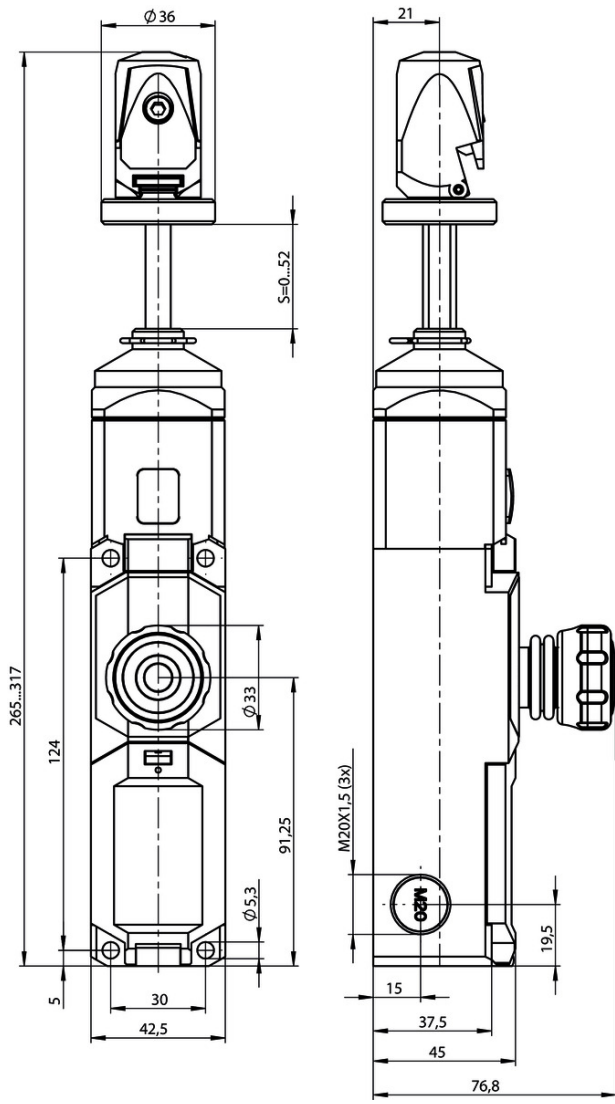
Electrical connection ratings

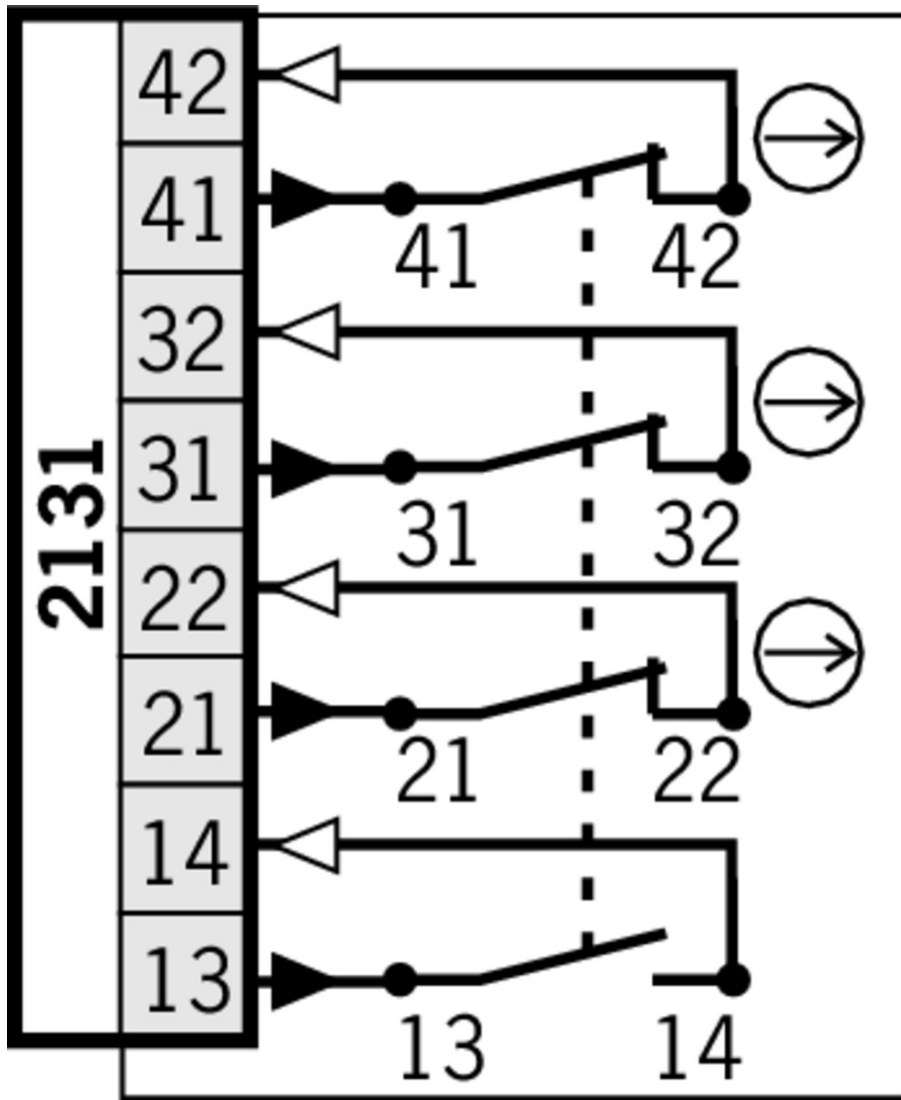
| | |
|---|------------------------------|
| Rated thermal current I _{th} | 10 A |
| Utilization category according to EN 60947-5-1 | |
| AC-15 | 3A 240V |
| Short circuit protection according to IEC 60269-1 | |
| (Fuse) | 6A gG |
| Rated insulation voltage U _i | 250 V |
| Rated impulse withstand voltage U _{imp} | 2,5 kV |
| Switching current | |
| at 24V | min.10 mA |
| Connection cross-section | 0,08 ... 1,5 mm ² |

Miscellaneous

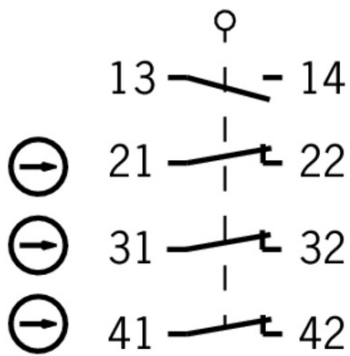
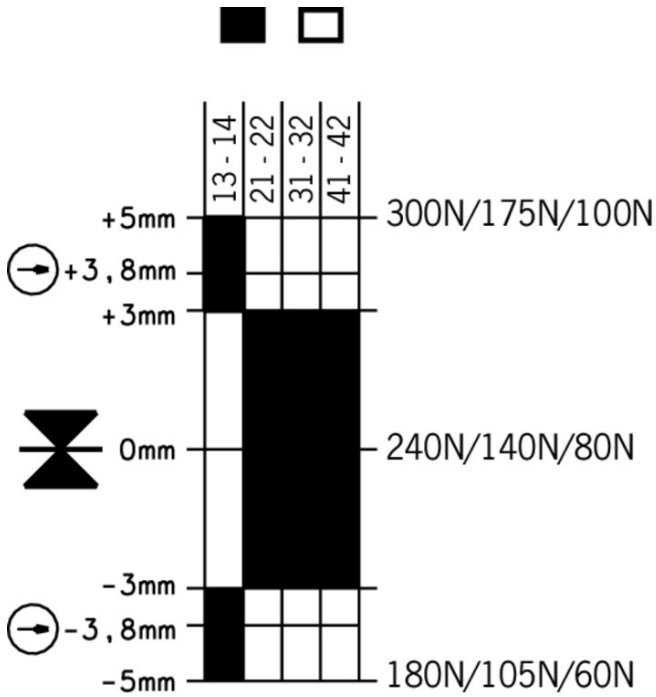
| | |
|--------------------|-------------------------|
| Additional feature | Emergency stop function |
|--------------------|-------------------------|

Dimension drawing





Travel diagram



Mounting accessories

▣ Eyebolt for rope pull switches

092495 RPS-O-8-50/V5

▣ Features

- Eyebolt with thread M8

▣ Tensioning rope for rope pull switches



092814 RPS-I-3-4/100M

▣ Features

- Tensioning rope with 100m length



092813 RPS-I-3-4/50M

▣ Features

- Tensioning rope with 50m length

▼ Pulley set RPS-PS/V5 for rope pull switches



092501 RPS-PS/V5

▼ Features

- › Pulley set consisting of rope pulley block and pulley support

▼ Pulley set RPS-P/V1 for rope pull switches



096251 RPS-P-7-70

▼ Features

- › Pulley Ø 14mm

▼ Turnbuckle for rope pull switches

092498 RPS-B-6-60/V5

▼ Features

- › Turnbuckle M6 x 60

092500 RPS-B-6-110

▼ Features

- › Turnbuckle M6 x 100

▼ Tensioner spring for rope pull switches



092138 RPS-W-300

▼ Features

- › Tensioner spring for tensile force 300 N

▼ Rope set for rope pull switches

092496 RPS-RS/V5

▼ Features

- › Rope set consisting of thimble and rope clamp

Function expansion

▼ Built-in LED



087423 EINBAULEUCHTE LED M20X1,5



095510 EINBAULEUCHTE LED-F M20X1,5

Connection material

▼ Cable glands M20x1.5



077683 EKVM20/06



077684 EKVM20/09



086233 EKPM20/06 086233

Instructions

▼ Betriebsanleitung Seilzugschalter RPS...

| | Doc. no. | Version | Language | Download |
|--|----------|----------|----------|----------|
| Betriebsanleitung Seilzugschalter RPS... | 2090276 | 08-01/18 | | 2.7 MB |
| Operating Instructions for Rope Pull Switches RPS... | 2090276 | 08-01/18 | | 2.7 MB |

Catalogs

▼ Not-Halt-Geräte/Seilzugschalter Emergency Stop Devices/Rope Pull Switches Dispositifs d'arrêt d'urgence/interrupteurs à câble Dispositivos de parada de emergencia / Interruptores de accionamiento por cable

| | Doc. no. | Version | Language | Download |
|---|----------|----------|----------|----------|
| Not-Halt-Geräte/Seilzugschalter | 106210 | 06-06/16 | | 1.9 MB |
| Dispositifs d'arrêt d'urgence/interrupteurs à câble | 116529 | 06-06/16 | | 1.9 MB |
| Dispositivos de parada de emergencia / Interruptores de accionamiento por cable | 116530 | 06-06/16 | | 1.9 MB |
| Emergency Stop Devices/Rope Pull Switches | 116448 | 06-06/16 | | 1.9 MB |

Declaration of conformity

▼ EU-Konformitätserklärung

| | Doc. no. | Version | Language | Download |
|--|----------|----------|------------------|----------|
| EU-Konformitätserklärung Declaración UE de conformidad Déclaration UE de conformité Dichiarazione di conformità EU declaration of conformity | 2091952 | 03-04/17 | | 0.2 MB |

CAD data

CAD data for this item on TraceParts